

THE INFORMATION CONTAINED HEREIN IS CONSIDERED "PROPRIETARY" TO BEL FUSE INC. AND SHALL NOT BE COPIED, REPRODUCED OR DISCLOSED WITHOUT THE WRITTEN APPROVAL OF BEL FUSE INC.



LED POLARITY			
PIN 13	PIN 12	PIN 11	COLOR
-	+	/	GREEN
/	+	-	YELLOW

ELECTRICAL CHARACTERISTICS @ 25°C

URNS RATIO

TP1	1CT : 1CT ±2%
TP2	1CT : 1CT ±2%
TP3	1CT : 1CT ±2%
TP4	1CT : 1CT ±2%

QCL @ 100kHz/100mVRMS

8mA DC BIAS	350mH MIN.
-------------	------------

INS. LOSS

0.1MHz TO 1MHz	-1.1 dB MAX
1MHz TO 65MHz	-0.5 dB MAX
65MHz TO 100MHz	-0.8 dB MAX
100MHz TO 125MHz	-1.2 dB MAX

RET. LOSS (MIN)

0.5MHz-40MHz	-18 dB
40MHz-100MHz	-12+20LOG(f/80MHz) dB

CM TO CM REJ

100kHz - 100MHz	-30 dB MIN
-----------------	------------

CM TO DM REJ

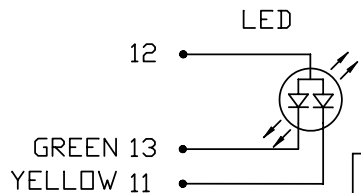
100kHz - 100MHz	-35 dB MIN
-----------------	------------

HIPOT (Isolation Voltage): 1500 Vrms

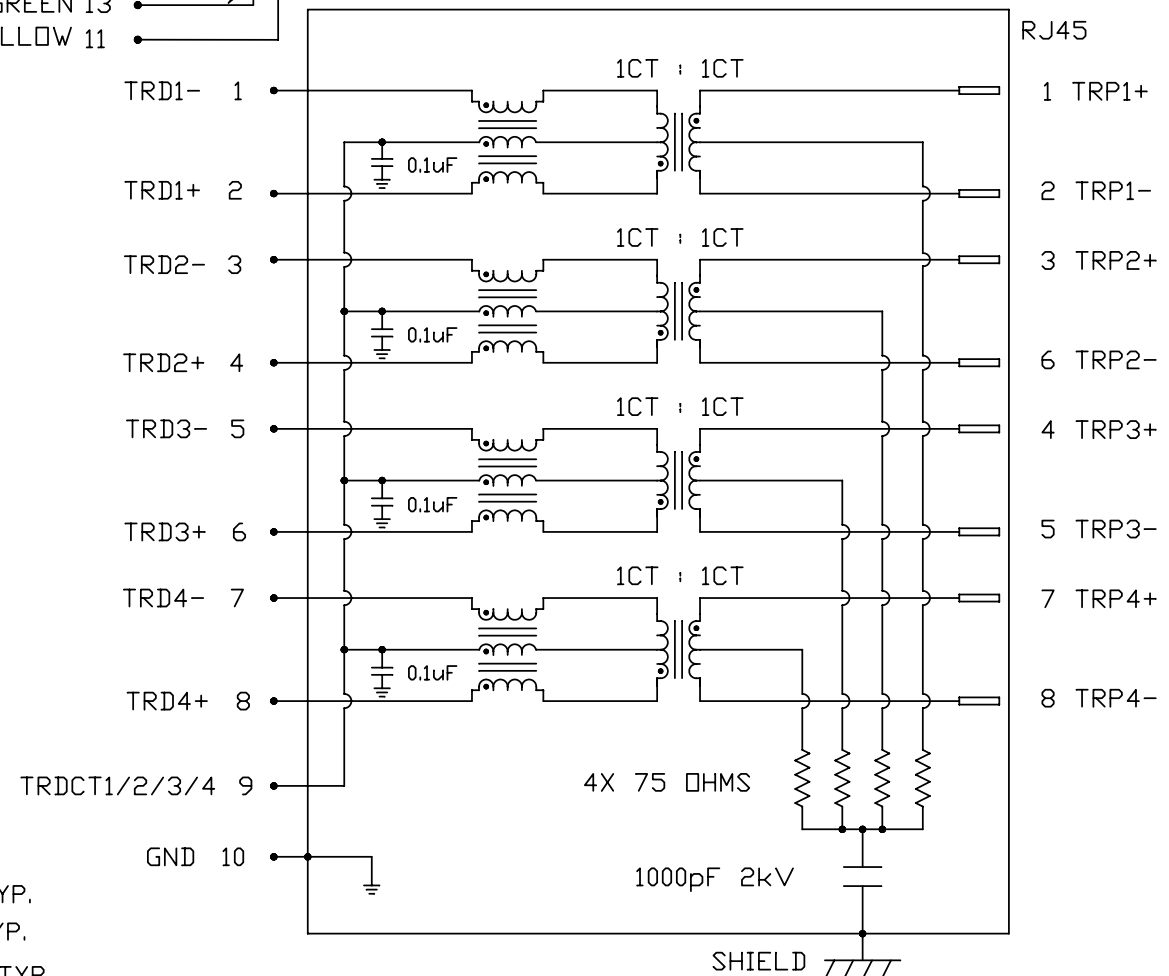
100% PRODUCTION TESTED TO COMPLY WITH IEEE 802.3 ISOLATION REQUIREMENT

LED

VF (FORWARD VOLTAGE)	IF=20mA	YELLOW	GREEN	2.2V TYP.
		YELLOW		2.1V TYP.
λD (DOMINANT WAVELENGTH)	IF=20mA	YELLOW	GREEN	570nm TYP.
		YELLOW		590nm TYP.



SCHEMATIC



ORIGINATED BY	DATE	TITLE
CHOW WANGCHUNG	07-23-09	
DRAWN BY	DATE	
LEE WEIDE	07-23-09	

2X1 gigabit MagJack® (with LED)
0843-2C1T-54-F PATENTED

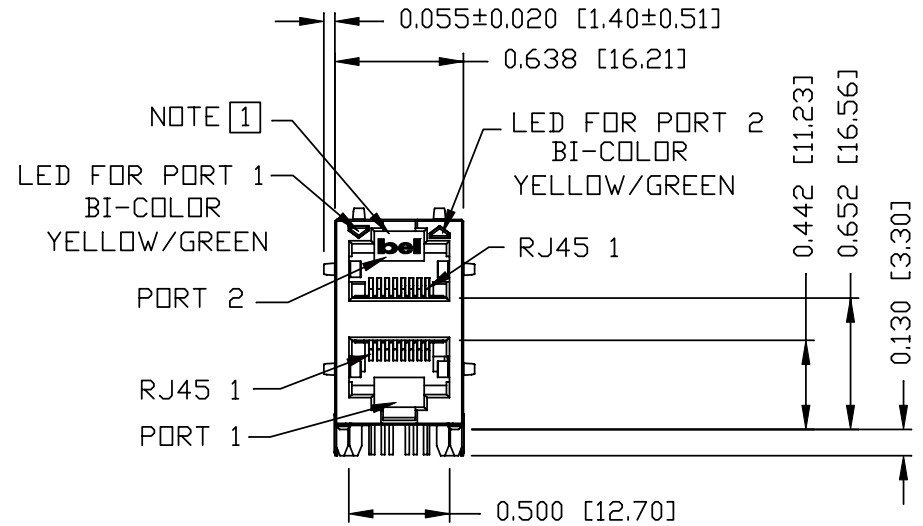
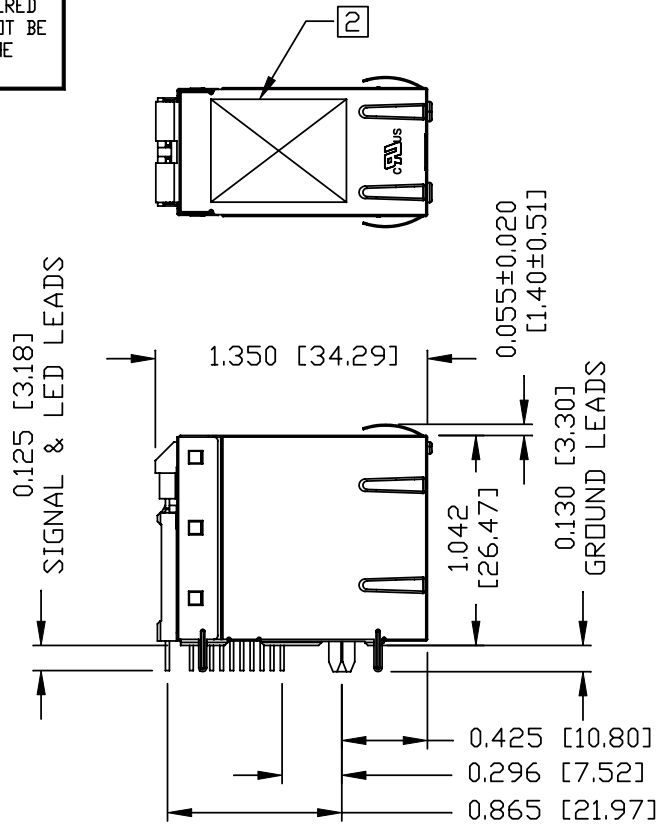
PART NO. / DRAWING NO.	08432C1T54-F
FILE NAME	08432C1T54-F_B.DWG

STANDARD DIM. TOL. IN INCH	[] METRIC DIM. AS REFERENCE
.X	UNIT : INCH [mm]
.XX	REV. : B
.XXX	SCALE : N/A
	SIZE : A4
	PAGE : 2



THE INFORMATION CONTAINED HEREIN IS CONSIDERED "PROPRIETARY" TO BEL FUSE INC. AND SHALL NOT BE COPIED, REPRODUCED OR DISCLOSED WITHOUT THE WRITTEN APPROVAL OF BEL FUSE INC.

RoHS
2002/95/EC



NOTES:

PLASTIC HOUSING: THERMOPLASTIC PBT
 FLAMMABILITY RATING UL 94V-0
 CONTACT PLATING: 50 MICRO-INCH HARD GOLD PLATING
 OUTPUT PINS: TIN-COATED COPPER WIRE, DIA 0.018 INCH.
 METAL SHIELD: NICKEL PLATED ON COPPER ALLOY.
 (ALL GROUND LEADS ARE SOLDER DIPPED)

3. RoHS COMPLIANCE, PER EU DIRECTIVE 2002/95/EC.
 c us UL RECOGNIZED - FILE #E196366 AND E169987.
 4. THE PRODUCT IS PATENTED, THE PATENT NUMBER IS U.S. PAT. 5,736,910.

- [1] JACK CAVITY CONFORMS TO FCC RULES AND REGULATIONS, PART 68 SUBPART F.
- [2] MARK PART WITH MFG LOGO, MFG NAME, PART NUMBER, DATE CODE AND PATENTED.

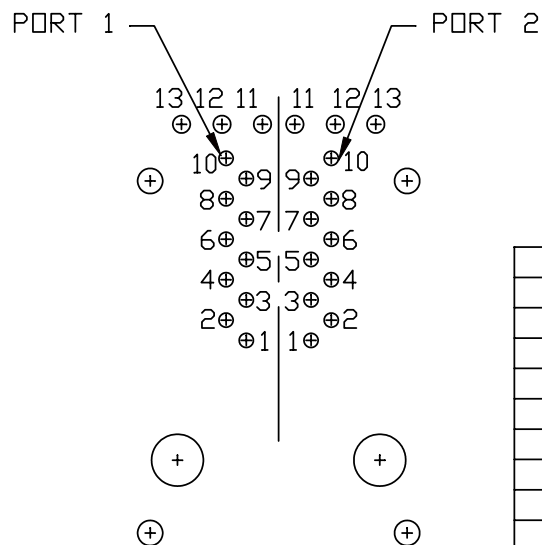
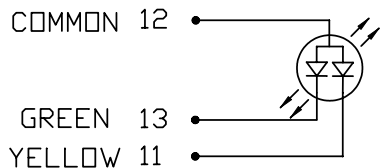
ORIGINATED BY LIU QIN	DATE 07-23-09	TITLE 2X1 gigabit MagJack® (with LED) 0843-2C1T-54-F PATENTED	PART NO. / DRAWING NO. 08432C1T54-F	STANDARD DIM. TOL. IN INCH		[] METRIC DIM. AS REFERENCE		
	DRAWN BY XIAN JIAXIN			DATE 07-23-09	FILE NAME 08432C1T54-F_B.DWG	.X .XX .XXX	±0.010	

THE INFORMATION CONTAINED HEREIN IS CONSIDERED "PROPRIETARY" TO BEL FUSE INC. AND SHALL NOT BE COPIED, REPRODUCED OR DISCLOSED WITHOUT THE WRITTEN APPROVAL OF BEL FUSE INC.

RoHS
2002/95/EC

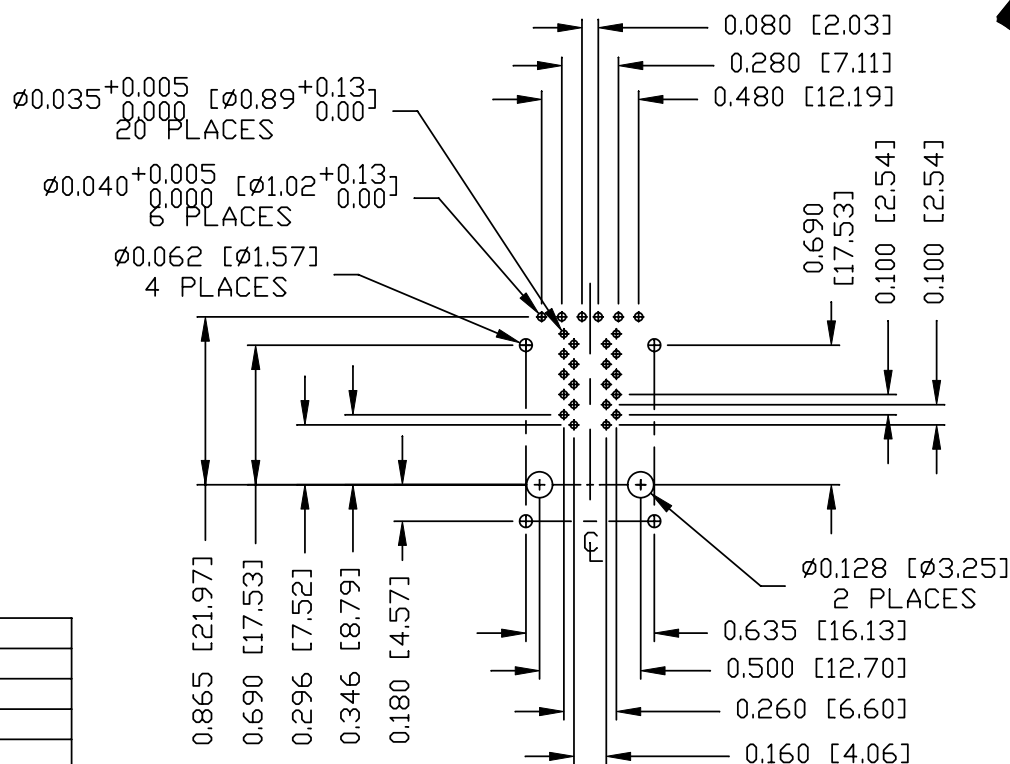


LED CONFIGURATION



PIN-OUT INFORMATION
(COMPONENT SIDE VIEW)

1	TRD 1-
2	TRD 1+
3	TRD 2-
4	TRD 2+
5	TRD 3-
6	TRD 3+
7	TRD 4-
8	TRD 4+
9	TRDCT 1/2/3/4
10	GND
11	YELLOW LED CATHODE
12	COMMON ANODE
13	GREEN LED CATHODE



SUGGESTED FOOTPRINT
(COMPONENT SIDE VIEW)

ORIGINATED BY LIU QIN	DATE 07-23-09
DRAWN BY XIAN JIAXIN	DATE 07-23-09

TITLE 2X1 gigabit MagJack® (with LED) 0843-2C1T-54-F PATENTED
--

PART NO. / DRAWING NO. 08432C1T54-F
FILE NAME 08432C1T54-F_B.DWG

STANDARD DIM. TOL. IN INCH
.X
.XX
.XXX ±0.004

[] METRIC DIM. AS REFERENCE	
UNIT : INCH [mm]	REV. : B
SCALE : N/A	SIZE : A4
PAGE : 4	

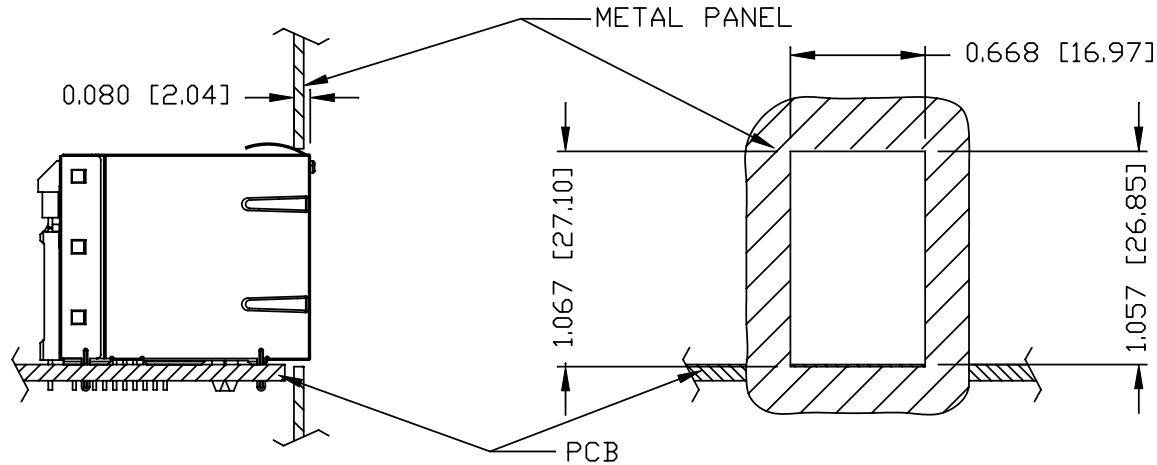


THE INFORMATION CONTAINED HEREIN IS CONSIDERED "PROPRIETARY" TO BEL FUSE INC. AND SHALL NOT BE COPIED, REPRODUCED OR DISCLOSED WITHOUT THE WRITTEN APPROVAL OF BEL FUSE INC.

RoHS
2002/95/EC



SUGGESTED PANEL OPENING



NOTE:

THE DISTANCE OF PANEL INSIDE SURFACE RELATIVE TO FRONT SURFACE OF PART IS ONLY A SUGGESTION. IN CASE THIS DISTANCE IS DIFFERENT, THE REQUIRED PANEL OPENING DIMENSIONS CHANGE ACCORDINGLY.

PACKING INFORMATION

PACKING TRAY: 0200-0148-36 (TOP)
0200-0148-34 (BOTTOM)

PACKING QUANTITY: 40 PCS FINISHED GOODS PER TRAY
6 TRAYS (240 PCS FINISHED GOODS) PER CARTON BOX.

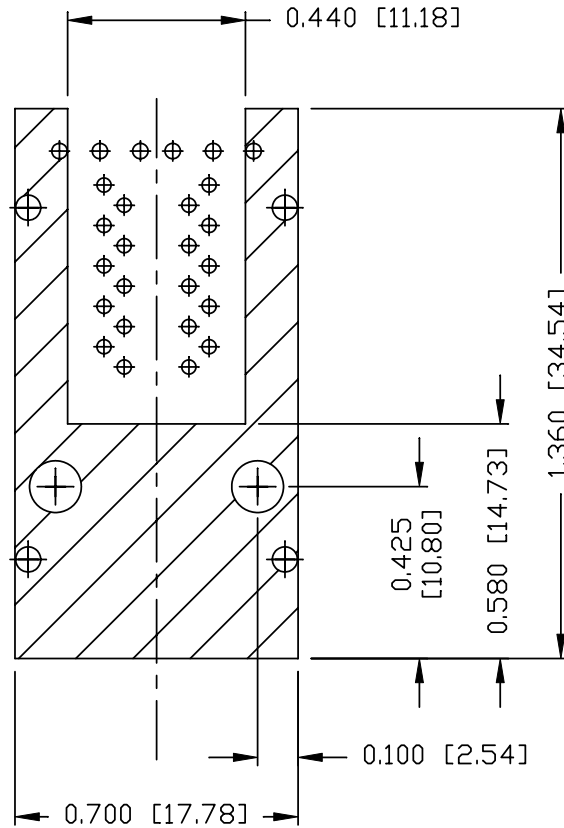
NOTE: CARDBOARD ARE PLACED BETWEEN LAYERS OF PACKING TRAY INSIDE CARTON BOX.
(INCLUDE THE UPPERMOST AND LOWEREST TRAY)

ORIGINATED BY	DATE	TITLE	PART NO. / DRAWING NO.	STANDARD DIM. TOL. IN INCH	[] METRIC DIM. AS REFERENCE
LIU QIN	07-23-09	2X1 gigabit MagJack® (with LED) 0843-2C1T-54-F PATENTED	08432C1T54-F	.X	UNIT : INCH [mm] REV. : B
DRAWN BY	DATE		FILE NAME	.XX	SCALE : N/A SIZE : A4
XIAN JIAXIN	07-23-09		08432C1T54-F_B.DWG	.XXX ±0.004	PAGE : 5



THE INFORMATION CONTAINED HEREIN IS CONSIDERED "PROPRIETARY" TO BEL FUSE INC. AND SHALL NOT BE COPIED, REPRODUCED OR DISCLOSED WITHOUT THE WRITTEN APPROVAL OF BEL FUSE INC.

RoHS
2002/95/EC



SHIELD COVER AREA IN PCB

NOTES:

THE SHADED AREA ON THE CUSTOMER BOARD ARE RECOMMENDED TO BE CLEAR OFF ANY VIA HOLE OR COMPONENT PAD.

ORIGINATED BY LIU QIN	DATE 07-23-09	TITLE 2X1 gigabit MagJack® (with LED)	PART NO. / DRAWING NO. 08432C1T54-F	STANDARD DIM.		[] METRIC DIM. AS REFERENCE		bel COMPONENTS FOR A CONNECTED PLANET
				TOL. IN INCH		UNIT : INCH [mm]	REV. : B	
DRAWN BY XIAN JIAXIN	DATE 07-23-09	0843-2C1T-54-F PATENTED	FILE NAME 08432C1T54-F_B.DWG	.X	±0.004	SCALE : N/A	SIZE : A4	PAGE : 6
				.XX				
				.XXX				