

THE INFORMATION CONTAINED HEREIN IS CONSIDERED "PROPRIETARY" TO BEL FUSE INC. AND SHALL NOT BE COPIED, REPRODUCED OR DISCLOSED WITHOUT THE WRITTEN APPROVAL OF BEL FUSE INC.

FOR HP ONLY



ELECTRICAL CHARACTERISTICS @ 25°C

URNS RATIO

TX 1CT : 1  
RX 1CT : 1

DCL @ 100kHz/100mVRMS

8mA DC BIAS 350µH MIN.

INS. LOSS

1MHz TO 100MHz -1.0 dB MAX

RET. LOSS (MIN)

1MHz-30MHz -18 dB  
30MHz-60MHz -16 dB  
60MHz-80MHz -12 dB  
80MHz-100MHz -10 dB

CROSS TALK (TX - RX)

1MHz-100 MHz -30 dB MIN

CM TO CM REJ

1MHz-100 MHz -30 dB MIN

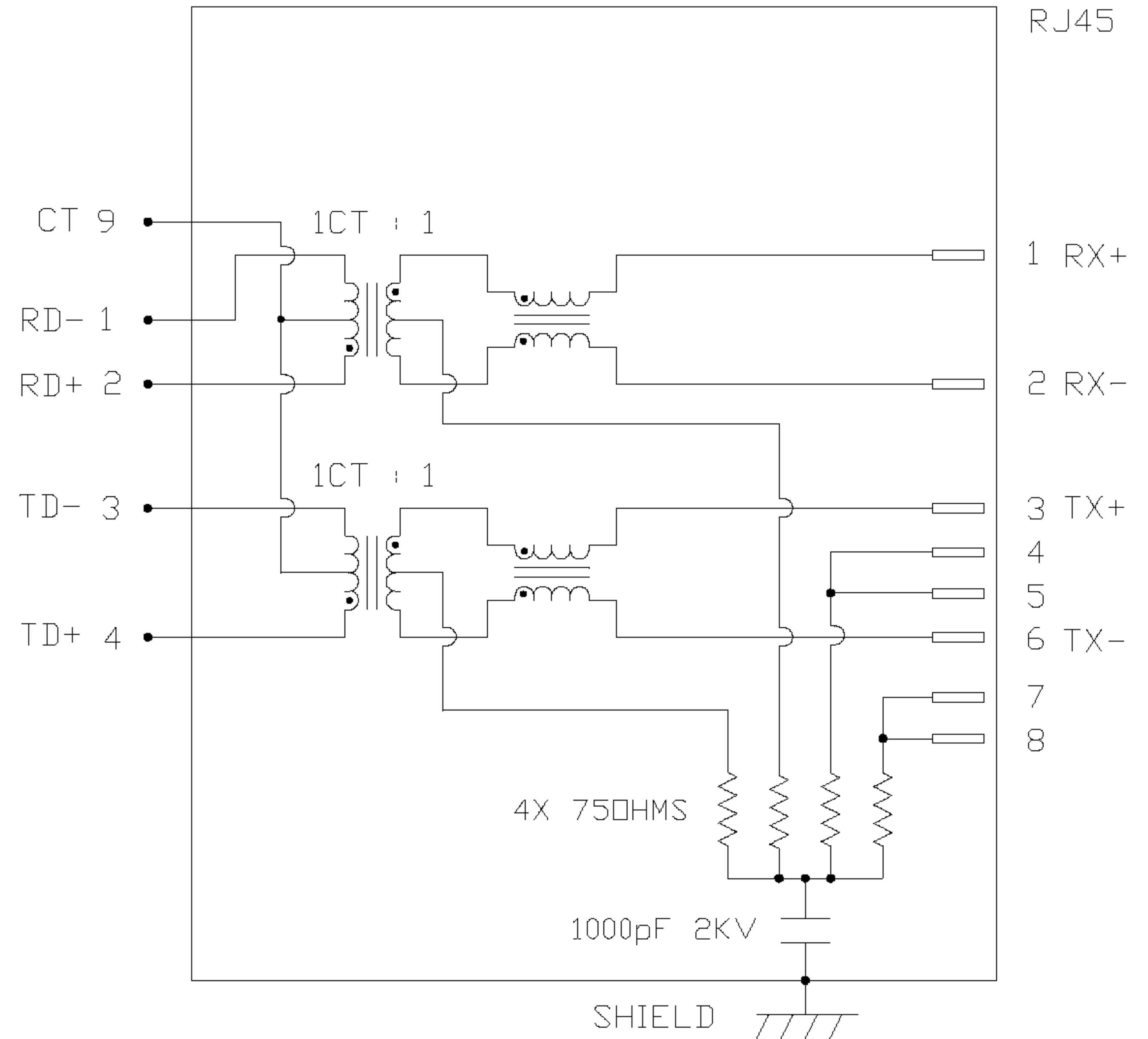
CM TO DM REJ

1MHz-100 MHz -35 dB MIN

HIPOT (Isolation Voltage): 1500 Vrms

100% OF PRODUCTION TESTED TO COMPLY WITH IEEE 802.3 ISOLATION REQUIREMENTS.

SCHEMATIC

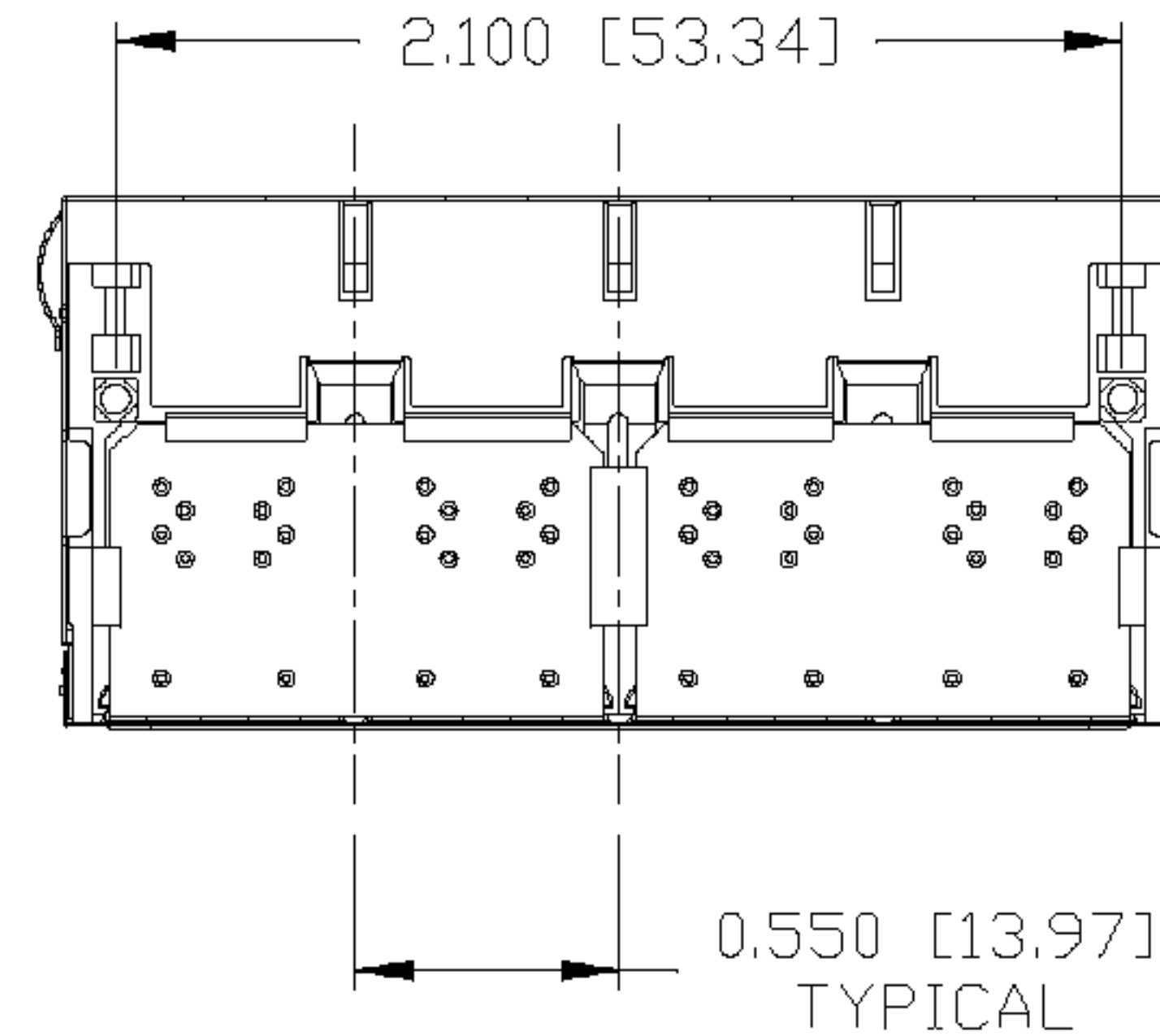
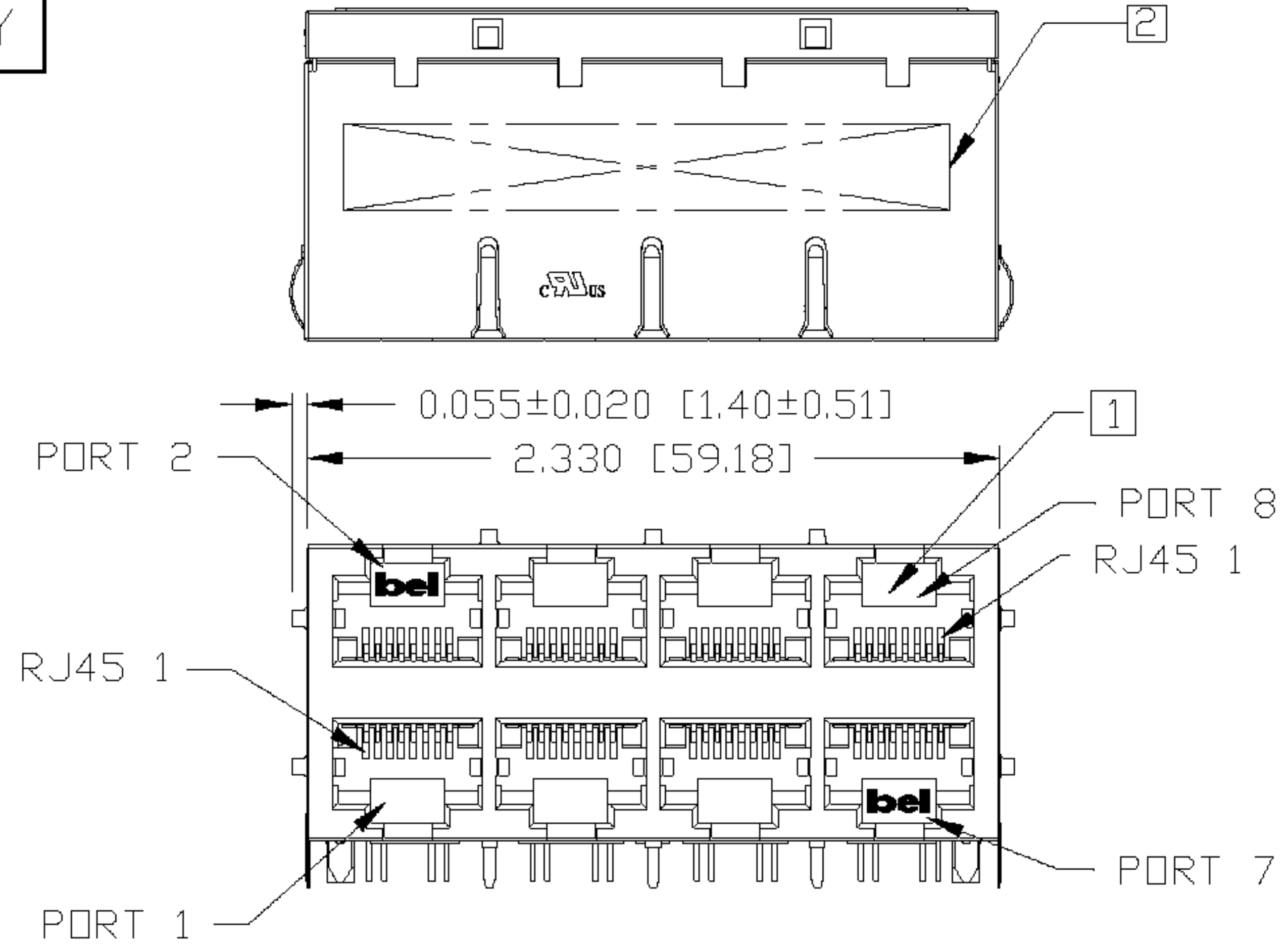
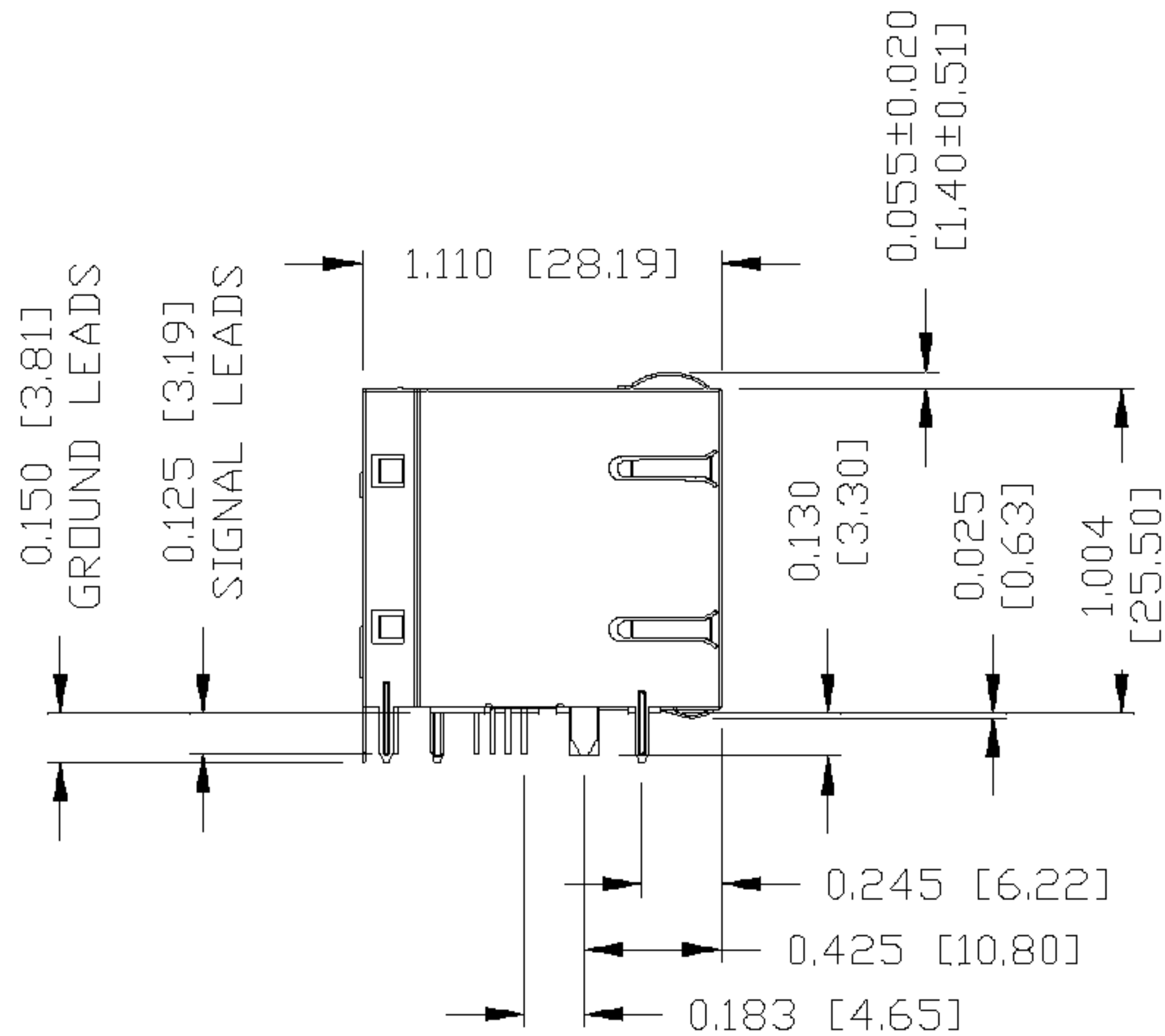


ORIGINATED BY CHUNG	DATE 03-06-07	TITLE 2X4 10/100 MagJack®	PART NO. / DRAWING NO. 08332X4RAK-F	STANDARD DIM. TOL. IN INCH	[ ] METRIC DIM. AS REFERENCE	 COMPONENTS FOR A CONNECTED PLANET	
DRAWN BY DE	DATE 03-06-07	TITLE 0833-2X4R-AK-F	FILE NAME 08332X4RAK-FA.DWG	.X	UNIT : INCH [mm]		REV. : A
				.XX	SCALE : N/A		SIZE : A4
				.XXX			PAGE : 2

THE INFORMATION CONTAINED HEREIN IS CONSIDERED "PROPRIETARY" TO BEL FUSE INC. AND SHALL NOT BE COPIED, REPRODUCED OR DISCLOSED WITHOUT THE WRITTEN APPROVAL OF BEL FUSE INC.

FOR HP ONLY

RoHS  
2002/95/EC



NOTES:

- PLASTIC HOUSING: THERMOPLASTIC PBT  
FLAMMABILITY RATING UL 94V-0
- CONTACT PLATING: 50 MICRO-INCH HARD GOLD PLATING
- OUTPUT PINS: TIN-COATED COPPER WIRE, DIA 0.018 INCH.
- METAL SHIELD: NICKEL PLATED ON COPPER ALLOY.  
(ALL GROUND LEADS ARE SOLDER DIPPED)

- [1] JACK CAVITY CONFORMS TO FCC RULES AND REGULATIONS, PART 68 SUBPART F.
- [2] MARK PART WITH MFG LOGO, MFG NAME, PART NUMBER, AND DATE CODE.

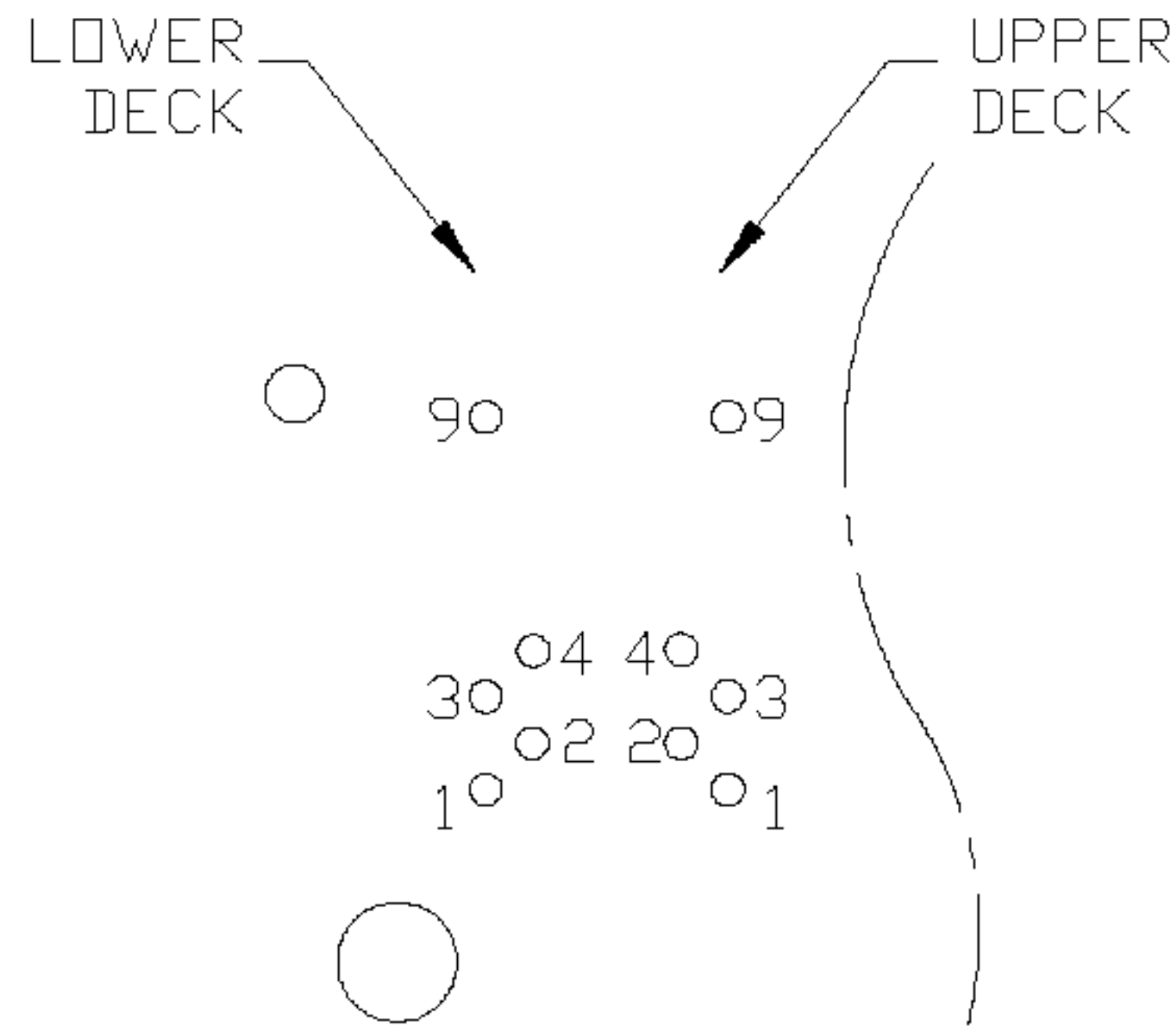
**UL** US UL RECOGNIZED - FILE #E196366 AND E169987.  
RoHS COMPLIANT, PER EU DIRECTIVE 2002/95/EC.

ORIGINATED BY	DATE	TITLE	PART NO. / DRAWING NO.	STANDARD DIM. TOL. IN INCH	[ ] METRIC DIM. AS REFERENCE
QIN	03-06-07	2X4 10/100 MagJack®	08332X4RAK-F	.X	UNIT : INCH [mm] REV. : A
DRAWN BY	DATE	0833-2X4R-AK-F	FILE NAME	.XX	SCALE : N/A SIZE : A4
TING	03-06-07		08332X4RAK-FA.DWG	.XXX ±0.010	PAGE : 3



THE INFORMATION CONTAINED HEREIN IS CONSIDERED "PROPRIETARY" TO BEL FUSE INC. AND SHALL NOT BE COPIED, REPRODUCED OR DISCLOSED WITHOUT THE WRITTEN APPROVAL OF BEL FUSE INC.

FOR HP ONLY

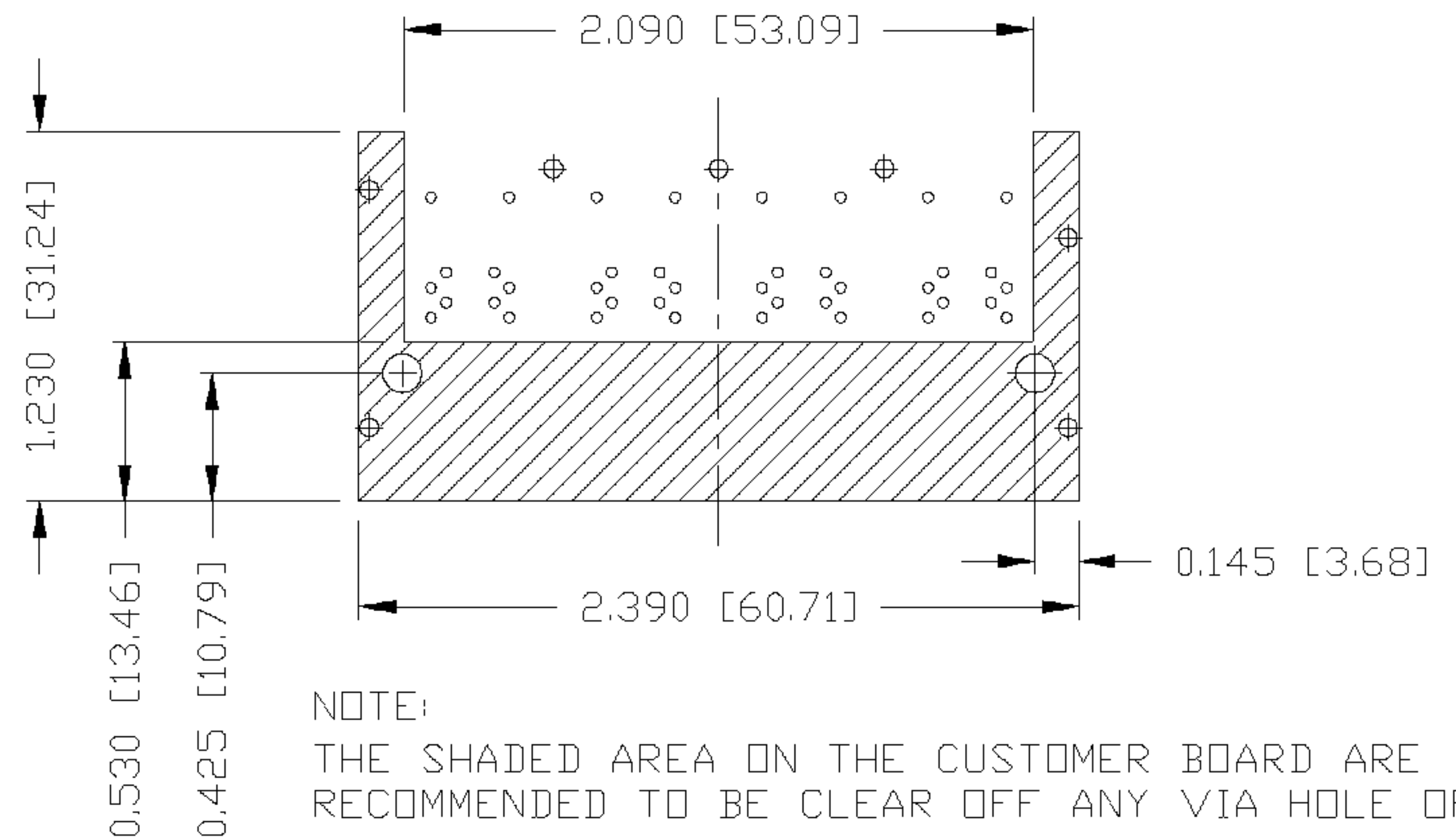
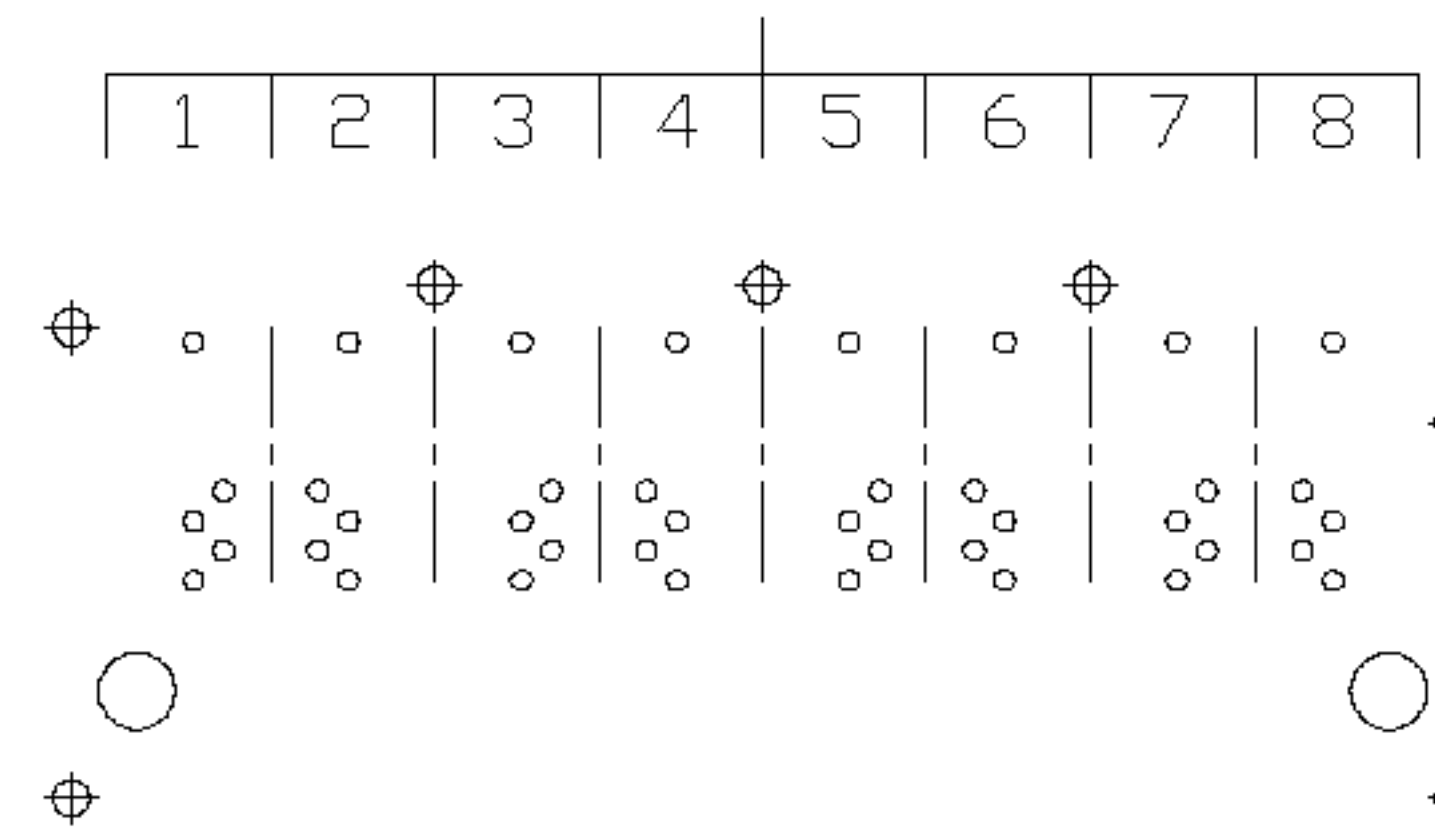


PIN-OUT INFORMATION  
(COMPONENT SIDE VIEW)

10	NO PIN
9	CT
8	NO PIN
7	NO PIN
6	NO PIN
5	NO PIN
4	TD+
3	TD-
2	RD+
1	RD-

UNUSED PIN LOCATIONS MUST BE REMOVED TO ENSURE 2KV ISOLATION.

PORT ASSIGNMENT  
(COMPONENT SIDE VIEW)



NOTE:  
THE SHADED AREA ON THE CUSTOMER BOARD ARE RECOMMENDED TO BE CLEAR OFF ANY VIA HOLE OR COMPONENT PAD.

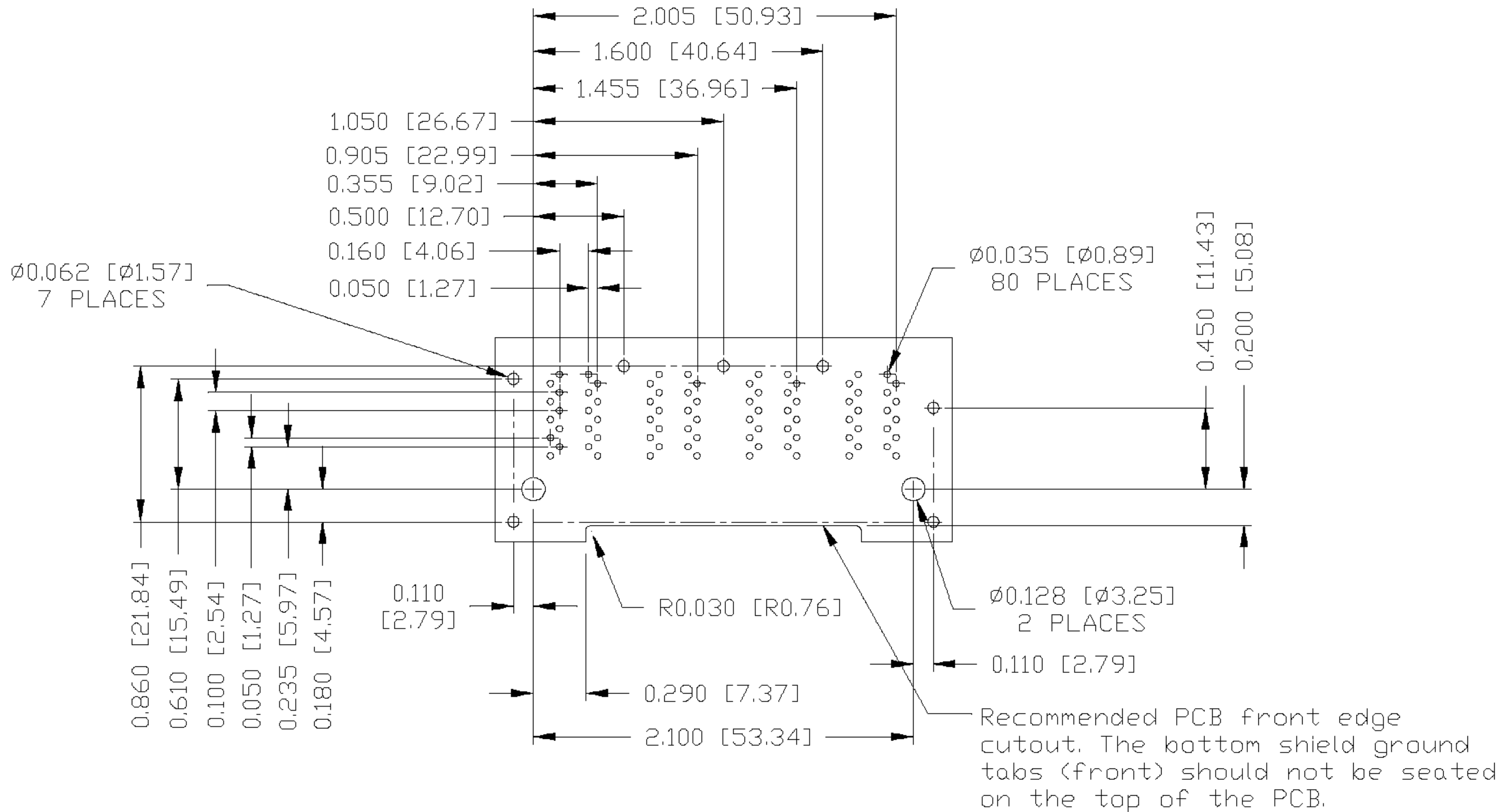
ORIGINATED BY QIN	DATE 03-06-07	TITLE 2X4 10/100 MagJack®	PART NO. / DRAWING NO. 08332X4RAK-F	STANDARD DIM. TOL. IN INCH	[ ] METRIC DIM. AS REFERENCE
DRAWN BY TING	DATE 03-06-07	0833-2X4R-AK-F	FILE NAME 08332X4RAK-FA.DWG	.X .XX .XXX ±0.004	UNIT : INCH [mm] SCALE : N/A REV. : A SIZE : A4 PAGE : 4



THE INFORMATION CONTAINED HEREIN IS CONSIDERED "PROPRIETARY" TO BEL FUSE INC. AND SHALL NOT BE COPIED, REPRODUCED OR DISCLOSED WITHOUT THE WRITTEN APPROVAL OF BEL FUSE INC.



FOR HP ONLY



SUGGESTED FOOTPRINT  
(COMPONENT SIDE VIEW)

ORIGINATED BY	DATE	TITLE	PART NO. / DRAWING NO.	STANDARD DIM. TOL. IN INCH	[ ] METRIC DIM. AS REFERENCE
QIN	03-06-07	2X4 10/100 MagJack®	08332X4RAK-F	.X	UNIT : INCH [mm] REV. : A
DRAWN BY	DATE	0833-2X4R-AK-F	FILE NAME	.XX	SCALE : N/A SIZE : A4
TING	03-06-07		08332X4RAK-FA.DWG	.XXX ±0.004	⊕ - - - - - PAGE : 5



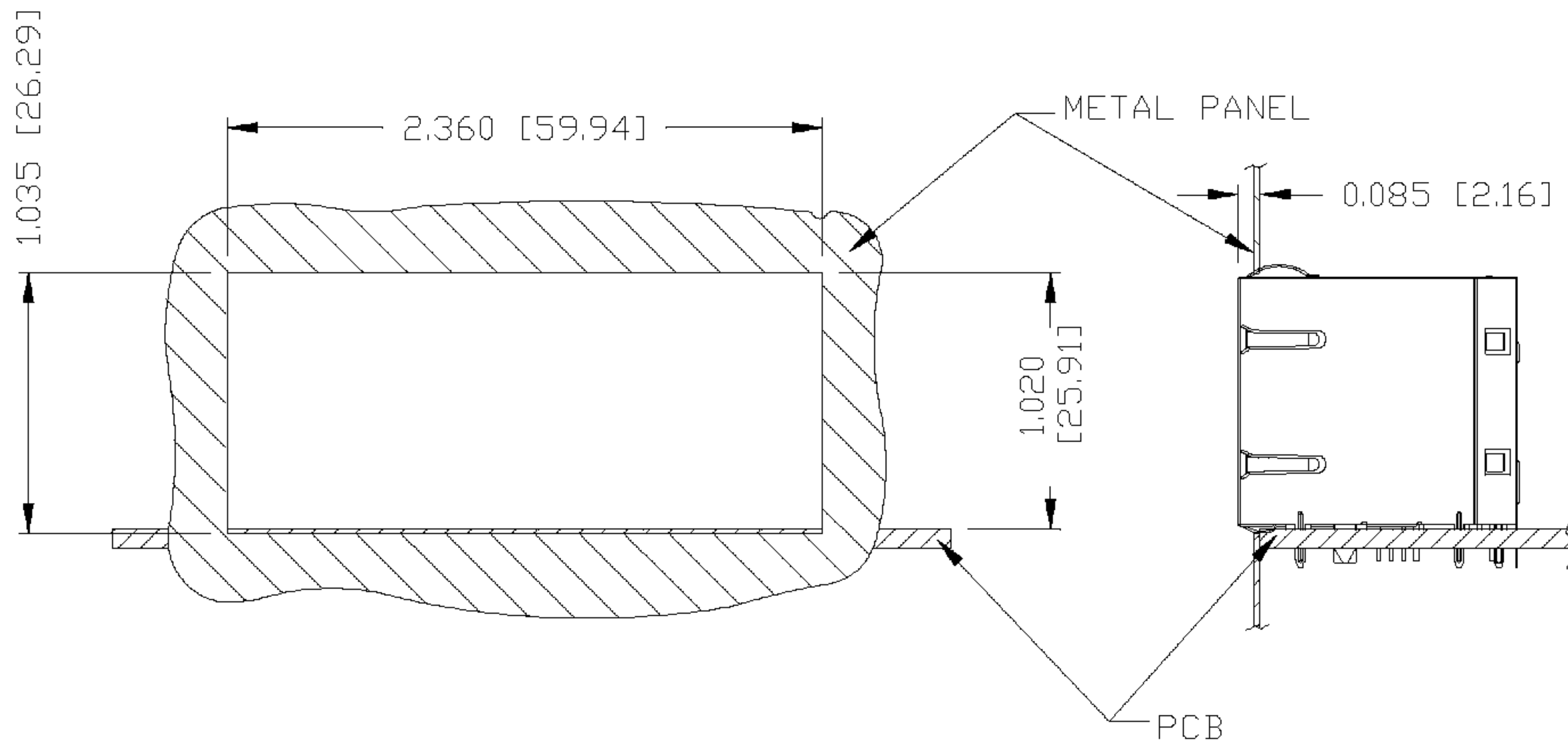
THE INFORMATION CONTAINED HEREIN IS CONSIDERED "PROPRIETARY" TO BEL FUSE INC. AND SHALL NOT BE COPIED, REPRODUCED OR DISCLOSED WITHOUT THE WRITTEN APPROVAL OF BEL FUSE INC.

FOR HP ONLY

RoHS  
2002/95/EC



SUGGESTED PANEL OPENING



NOTES:

THE DISTANCE OF PANEL INSIDE SURFACE RELATIVE TO FRONT SURFACE OF PART IS ONLY A SUGGESTION. IN CASE THIS DISTANCE IS DIFFERENT, THE REQUIRED PANEL OPENING DIMENSIONS CHANGE ACCORDINGLY.

PACKING INFORMATION

PACKING TRAY : 0200-0148-46 (TOP)  
0200-0148-47 (BOTTOM)

PACKING QUANTITY : 20 PCS FINISHED GOODS PER TRAY,  
7 TRAYS (140 PCS FINISHED GOODS) PER CARTON BOX.

NOTE : CARDBOARDS ARE PLACED BETWEEN LAYERS OF PACKING TRAY INSIDE CARTON BOX.  
(INCLUDE THE UPPERMOST AND LOWERMOST TRAY)

ORIGINATED BY	DATE	TITLE	PART NO. / DRAWING NO.	STANDARD DIM. TOL. IN INCH	[ ] METRIC DIM. AS REFERENCE	
QIN	03-06-07	2X4 10/100 MagJack®	08332X4RAK-F	.X	UNIT : INCH [mm]	REV. : A
DRAWN BY	DATE	0833-2X4R-AK-F	FILE NAME	.XX	SCALE : N/A	SIZE : A4
TING	03-06-07		08332X4RAK-FA.DWG	.XXX	±0.004	PAGE : 6

