

THE INFORMATION CONTAINED HEREIN IS CONSIDERED "PROPRIETARY" TO BEL FUSE INC. AND SHALL NOT BE COPIED, REPRODUCED OR DISCLOSED WITHOUT THE WRITTEN APPROVAL OF BEL FUSE INC.

RoHS
2002/95/EC

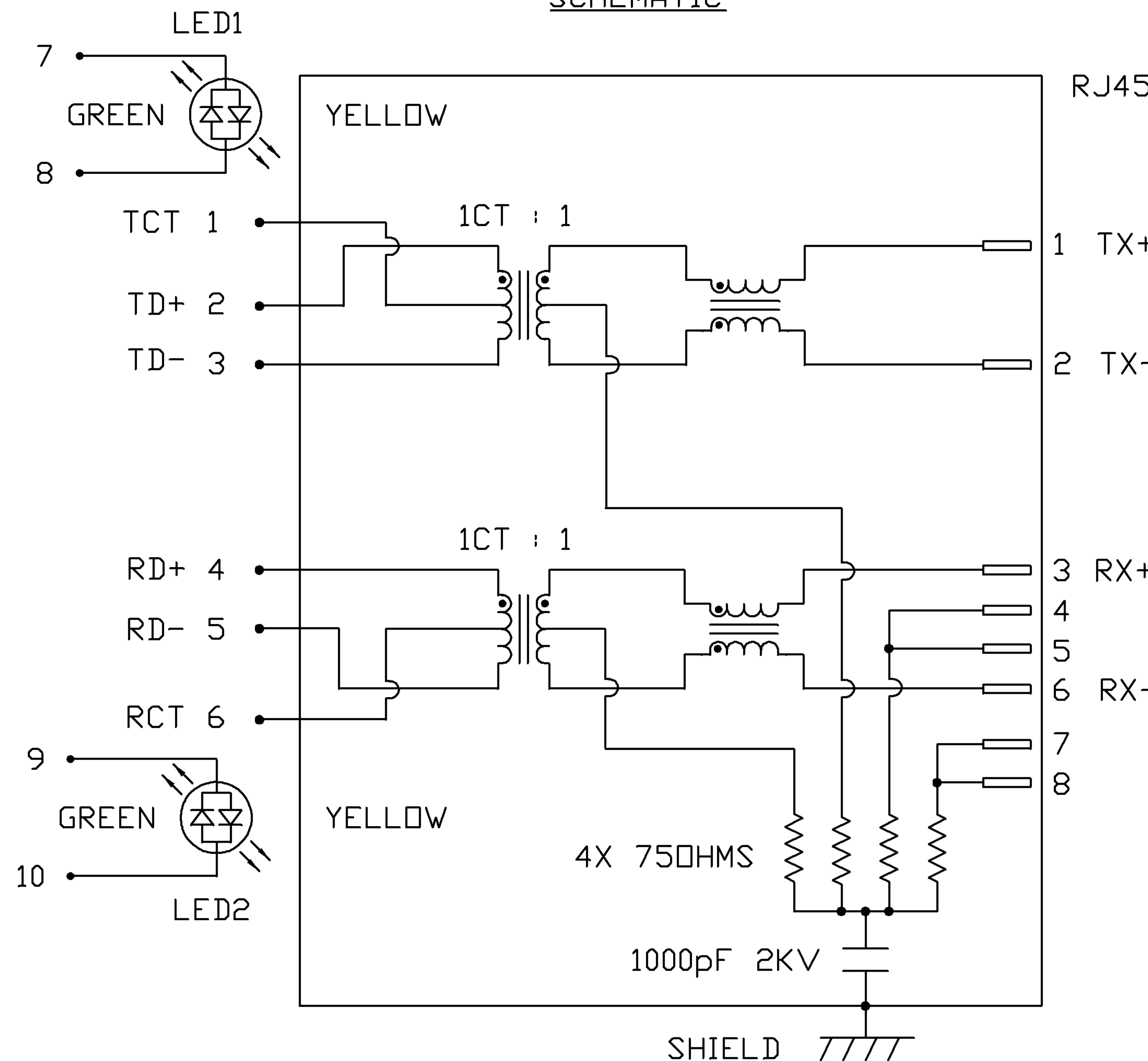


ELECTRICAL CHARACTERISTICS @ 25°C

TRANSFORMER	1CT : 1
TX	1CT : 1
RX	1CT : 1
□CL @ 100kHz/100mVRMS	350µH MIN.
8mA DC BIAS	
INS. LOSS	
1MHz TO 100MHz	-1.0 dB MAX
RET. LOSS (MIN)	
1MHz-30MHz	-18 dB
30MHz-60MHz	-18+20LOG(F/30MHz) dB
60MHz-80MHz	-12 dB
CROSS TALK (TX - RX)	
500kHz-1MHz	-70 dB MIN
10 MHz	-50 dB MIN
30 MHz	-45 dB MIN
50 MHz	-40 dB MIN
100 MHz	-35 dB MIN
CM TO CM REJ	
100kHz-1MHz	-70 dB MIN
10 MHz	-47 dB MIN
30 MHz	-42 dB MIN
60 MHz	-37 dB MIN
100 MHz	-30 dB MIN
CM TO DM REJ	
100kHz-1MHz	-70 dB MIN
10 MHz	-60 dB MIN
30 MHz	-50 dB MIN
60 MHz	-45 dB MIN
100 MHz	-40 dB MIN
HIPOT (Isolation Voltage):	1500 Vrms
100% OF PRODUCTION TESTED TO COMPLY WITH IEEE 802.3 ISOLATION REQUIREMENTS.	
LED 1 & 2	
VF (FORWARD VOLTAGE)	IF=20mA GREEN 2.2V TYP. YELLOW 2.1V TYP.
λD (DOMINANT WAVELENGTH)	IF=20mA GREEN 565nm TYP. YELLOW 590nm TYP.

LED1 POLARITY			LED2 POLARITY		
PIN 7	PIN 8	COLOR	PIN 9	PIN 10	COLOR
-	+	GREEN	-	+	GREEN
+	-	YELLOW	+	-	YELLOW

SCHEMATIC



ORIGINATED BY	DATE	TITLE	PART NO. / DRAWING NO.	STANDARD DIM. TOL. IN INCH	[] METRIC DIM. AS REFERENCE
CHOW WANCHUNG	08-06-08	MagJack® (4 Cores, MDIX, CM Termination)	08261C4T06-F	.X .XX .XXX	UNIT : INCH [mm] REV. : B SCALE : N/A SIZE : A4 PAGE : 2
DRAWN BY	DATE		FILE NAME		
WEIDE LEE	08-06-08		08261C4T06-F_B.DWG		



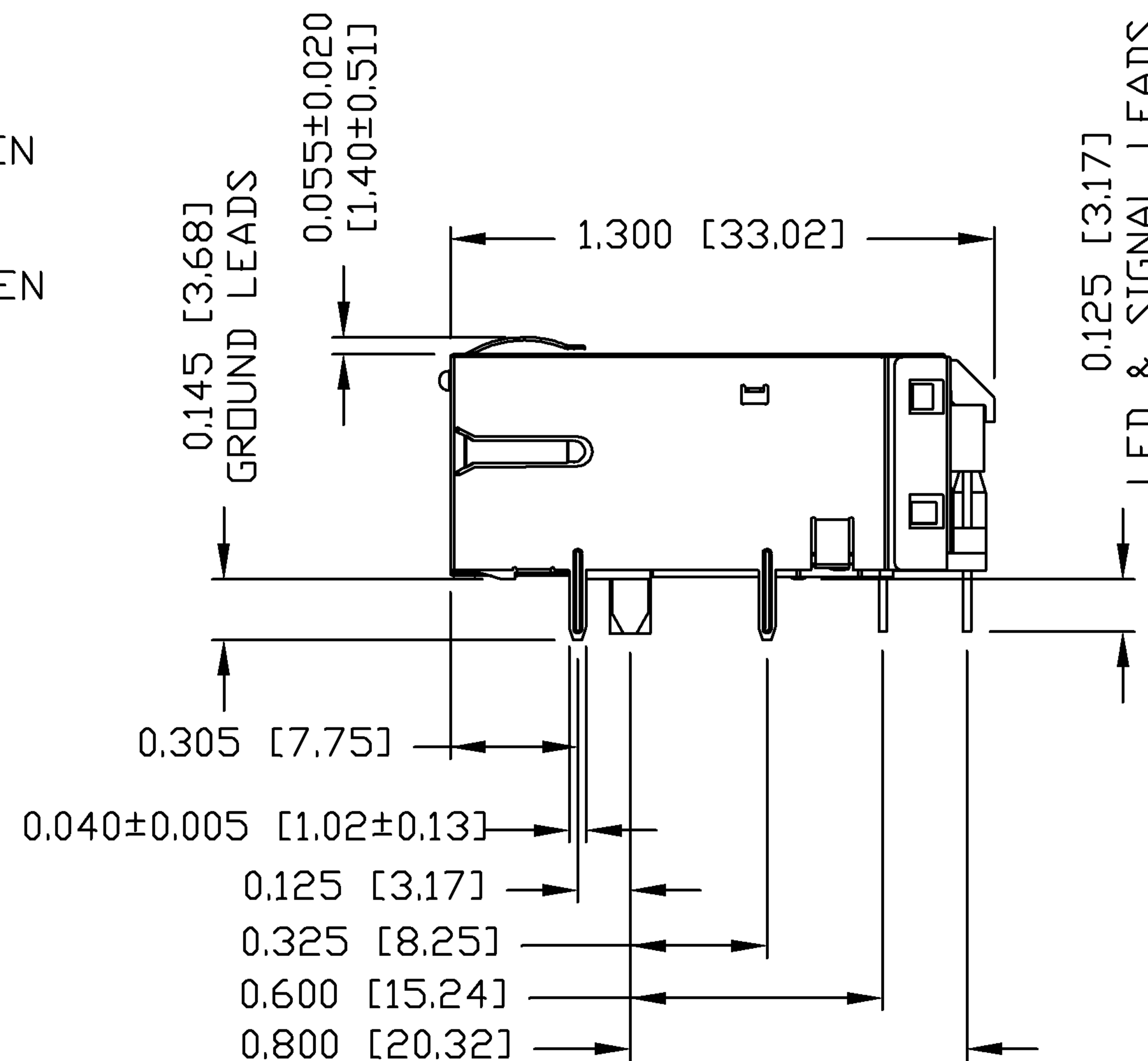
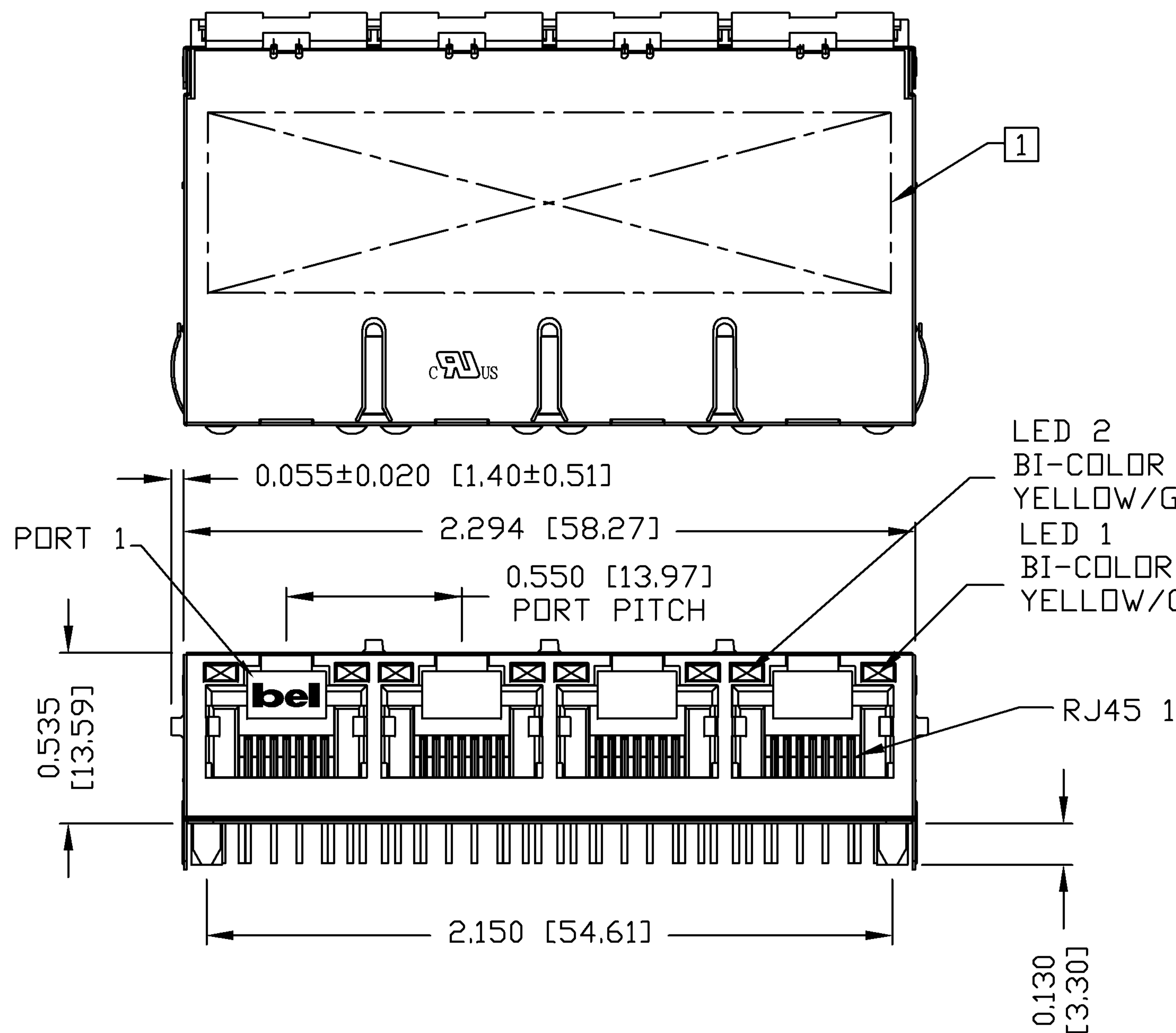
THE INFORMATION CONTAINED HEREIN IS CONSIDERED "PROPRIETARY" TO BEL FUSE INC. AND SHALL NOT BE COPIED, REPRODUCED OR DISCLOSED WITHOUT THE WRITTEN APPROVAL OF BEL FUSE INC.

RoHS
2002/95/EC



NOTES:

PLASTIC HOUSING: THERMOPLASTIC PBT
FLAMMABILITY RATING UL 94V-0
CONTACTS PLATING: 50 MICRO-INCH HARD GOLD PLATING
PINS: TIN-COATED COPPER WIRE, DIA 0.018 INCH.
METAL SHIELD: NICKEL PLATED ON COPPER ALLOY.
(ALL GROUND LEADS ARE SOLDER DIPPED)
JACK CAVITY CONFORMS TO FCC RULES AND REGULATIONS.



1 MARK PART WITH MFG LOGO, MFG NAME, PART NUMBER AND DATE CODE.

RoHS COMPLIANCE, PER EU DIRECTIVE 2002/95/EC.

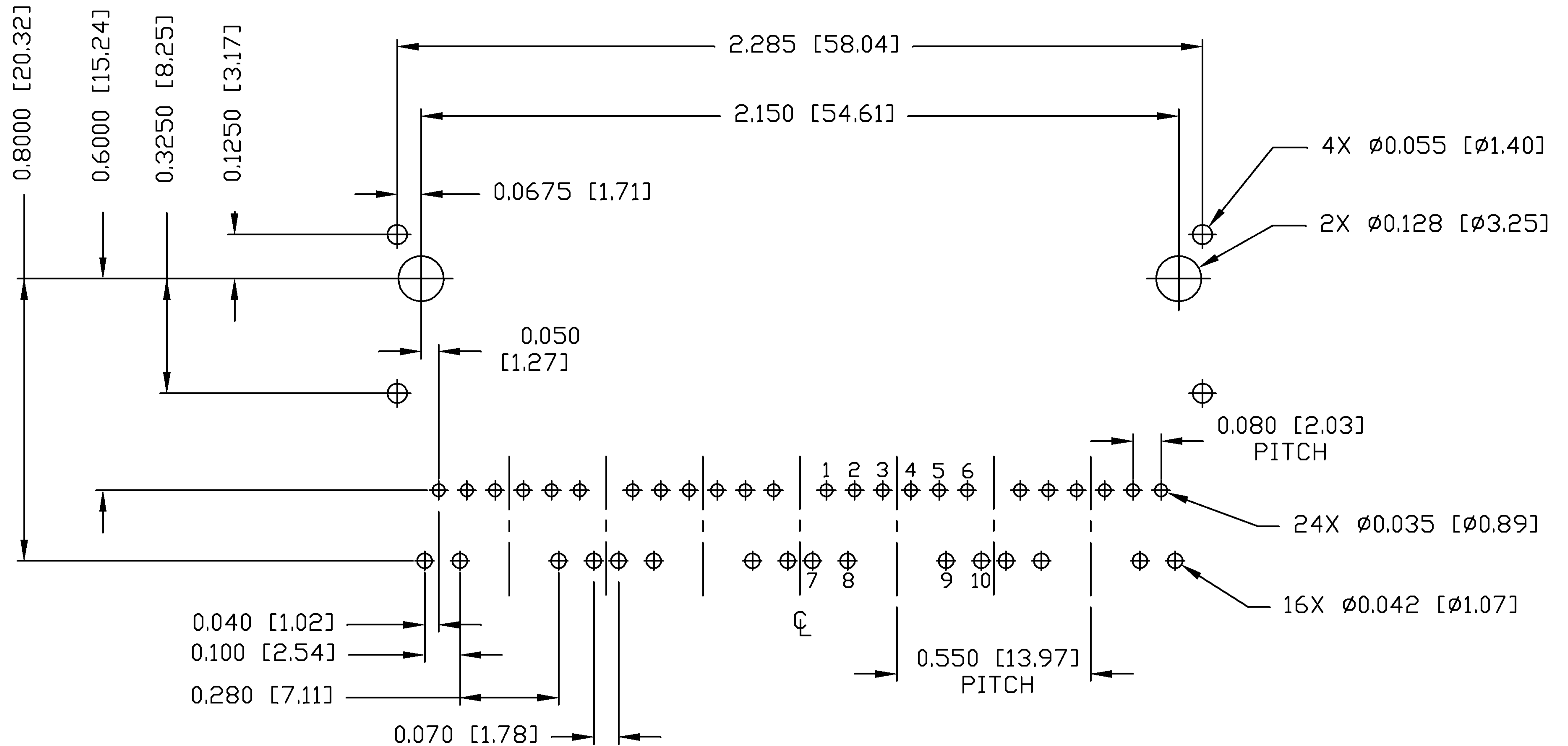
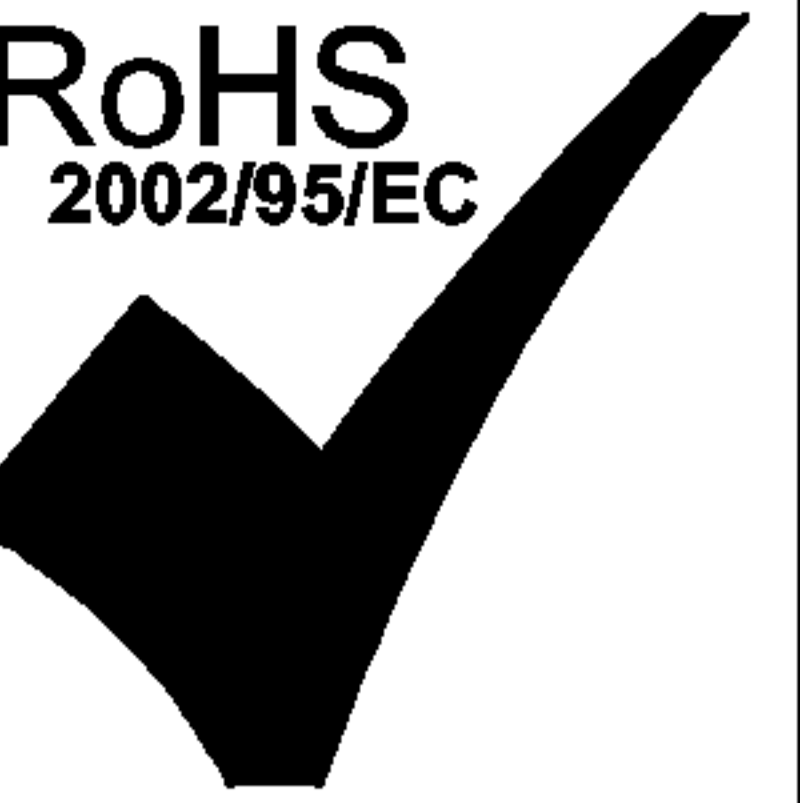
UL RECOGNIZED - FILE #E196366 AND E169987.

ORIGINATED BY ZX HUANG	DATE 08-06-08	TITLE MagJack® (4 Cores, MDIX, CM Termination)	PART NO. / DRAWING NO. 08261C4T06-F	STANDARD DIM. TOL. IN INCH	[] METRIC DIM. AS REFERENCE
DRAWN BY BL CHEN	DATE 08-06-08	FILE NAME 08261C4T06-F_B.DWG		.X .XX .XXX	UNIT : INCH [mm] SCALE : N/A REV. : B SIZE : A4 PAGE : 3
				±0.010	



THE INFORMATION CONTAINED HEREIN IS CONSIDERED "PROPRIETARY" TO BEL FUSE INC. AND SHALL NOT BE COPIED, REPRODUCED OR DISCLOSED WITHOUT THE WRITTEN APPROVAL OF BEL FUSE INC.

RoHS
2002/95/EC

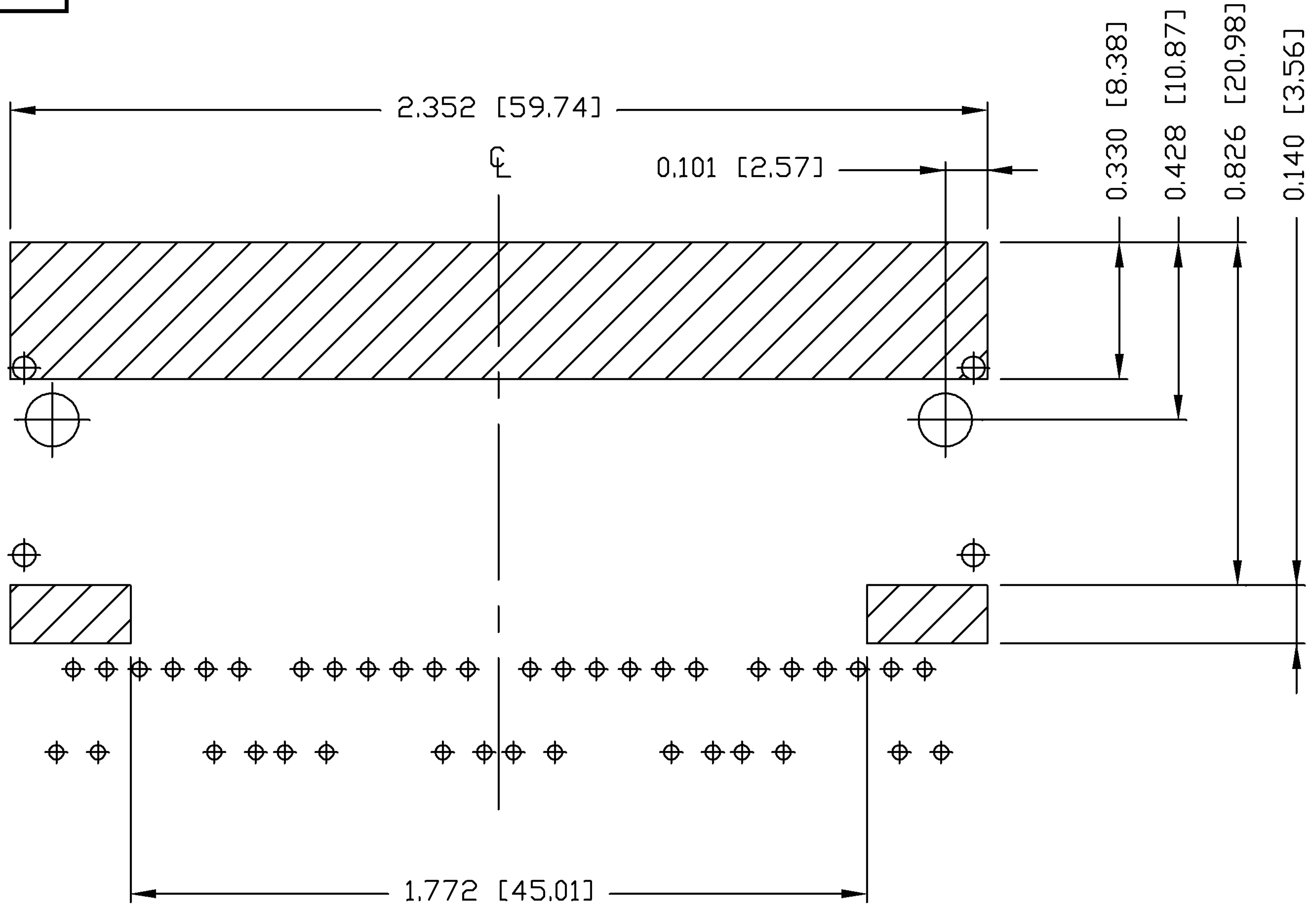
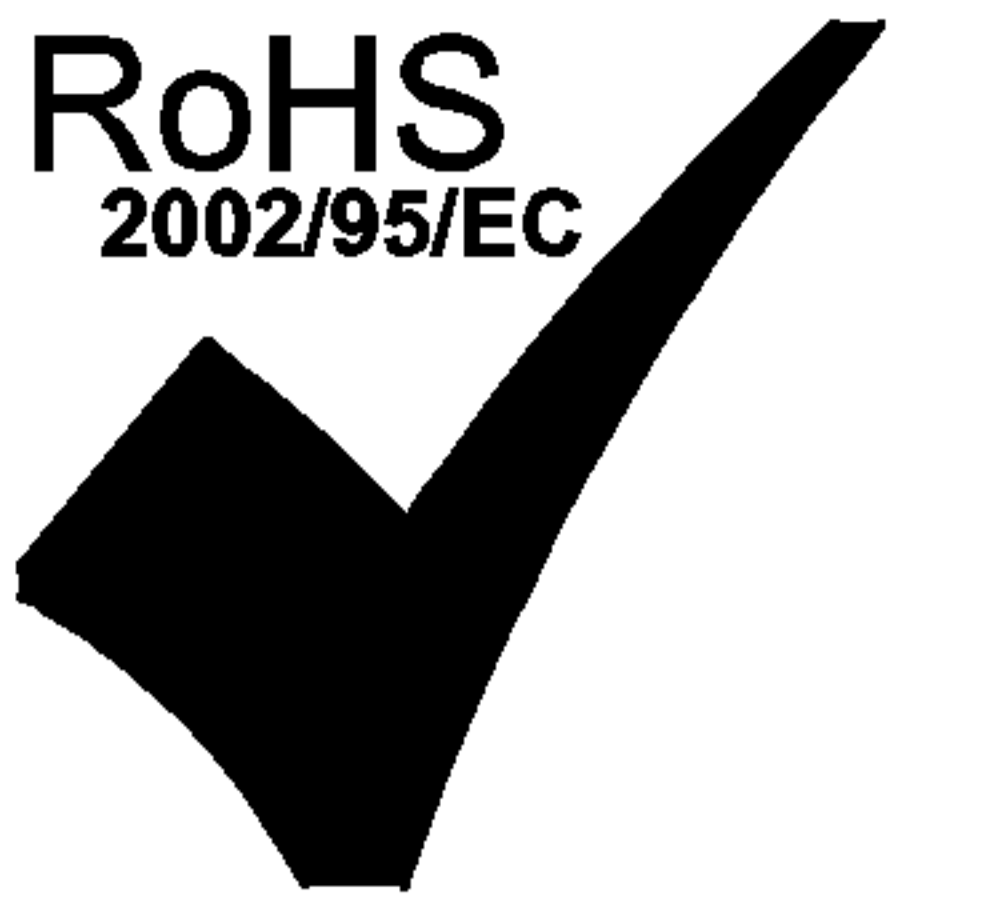


RECOMMENDED PCB FOOTPRINT
COMPONENT SIDE VIEW

ORIGINATED BY ZX HUANG	DATE 08-06-08	TITLE MagJack® (4 Cores, MDIX, CM Termination)	PART NO. / DRAWING NO. 08261C4T06-F	STANDARD DIM. TOL. IN INCH	[] METRIC DIM. AS REFERENCE
DRAWN BY BL CHEN	DATE 08-06-08	0826-1C4T-06-F	FILE NAME 08261C4T06-F_B.DWG	.X .XX .XXX ±0.004	UNIT : INCH [mm] SCALE : N/A REV. : B SIZE : A4 PAGE : 4



THE INFORMATION CONTAINED HEREIN IS CONSIDERED "PROPRIETARY" TO BEL FUSE INC. AND SHALL NOT BE COPIED, REPRODUCED OR DISCLOSED WITHOUT THE WRITTEN APPROVAL OF BEL FUSE INC.



NOTES:

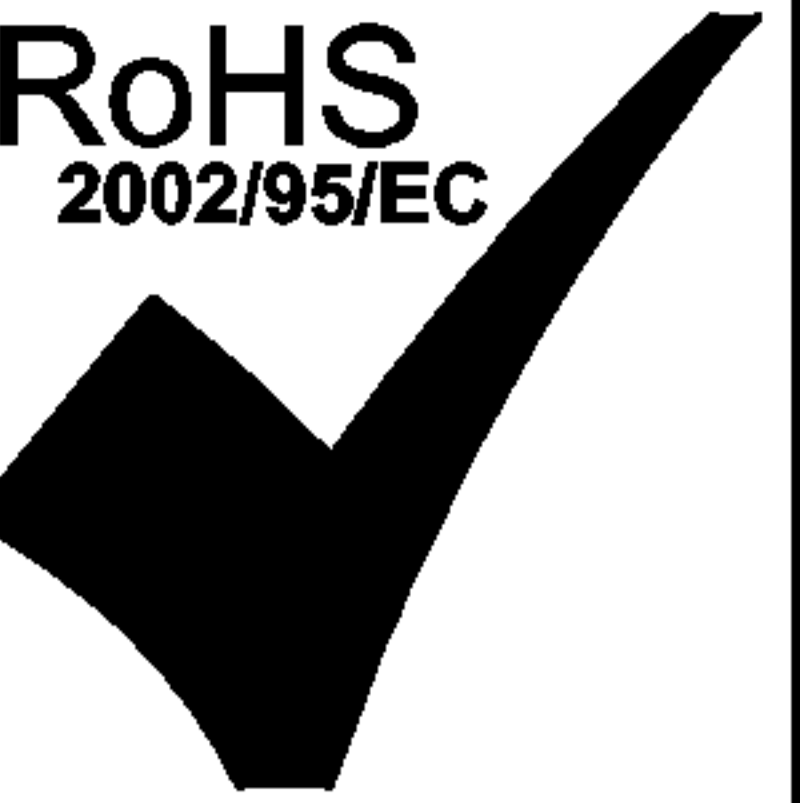
THE SHADED AREA ON THE CUSTOMER BOARD ARE RECOMMENDED TO BE CLEAR OFF ANY VIA HOLE OR COMPONENT PAD.

ORIGINATED BY ZX HUANG	DATE 08-06-08	TITLE MagJack® (4 Cores, MDIX, CM Termination)	PART NO. / DRAWING NO. 08261C4T06-F	STANDARD DIM. TOL. IN INCH	[] METRIC DIM. AS REFERENCE	
DRAWN BY BL CHEN	DATE 08-06-08		FILE NAME 08261C4T06-F_B.DWG	.X .XX .XXX	±0.004	UNIT : INCH [mm] SCALE : N/A

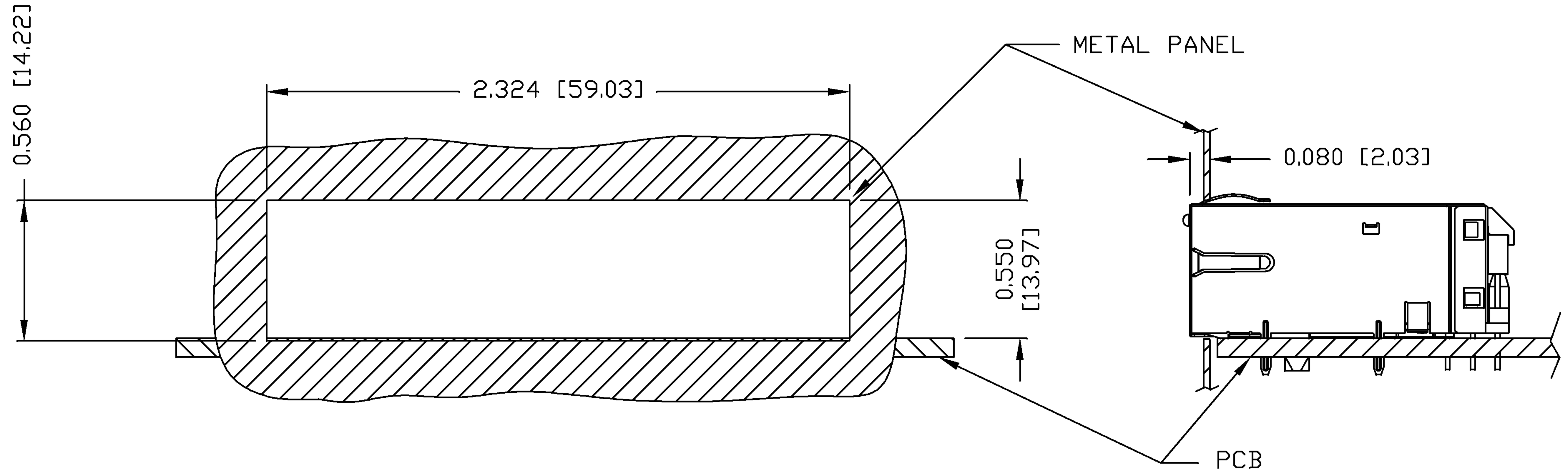


THE INFORMATION CONTAINED HEREIN IS CONSIDERED "PROPRIETARY" TO BEL FUSE INC. AND SHALL NOT BE COPIED, REPRODUCED OR DISCLOSED WITHOUT THE WRITTEN APPROVAL OF BEL FUSE INC.

RoHS
2002/95/EC



SUGGESTED PANEL OPENING



NOTES:

THE DISTANCE OF PANEL INSIDE SURFACE RELATIVE TO FRONT SURFACE OF PART IS ONLY A SUGGESTION. IN CASE THIS DISTANCE IS DIFFERENT, THE REQUIRED PANEL OPENING DIMENSIONS CHANGE ACCORDINGLY.

PACKING INFORMATION

PACKING TRAY : 0200-9999-B4 (TOP)

0200-9999-B5 (BOTTOM)

PACKING QUANTITY : 24 PCS FINISHED GOODS PER TRAY

10 TRAYS (240 PCS FINISHED GOODS) PER CARTON BOX

NOTE : CARDBOARDS ARE PLACED BETWEEN LAYERS OF PACKING TRAY INSIDE CARTON BOX

(INCLUDE THE UPPERMOST AND LOWERMOST TRAY)

ORIGINATED BY ZX HUANG	DATE 08-06-08	TITLE MagJack® (4 Cores, MDIX, CM Termination)	PART NO. / DRAWING NO. 08261C4T06-F	STANDARD DIM. TOL. IN INCH		[] METRIC DIM. AS REFERENCE		 COMPONENTS FOR A CONNECTED PLANET
				.X		UNIT : INCH [mm]	REV. : B	
DRAWN BY BL CHEN	DATE 08-06-08	FILE NAME 08261C4T06-F_B.DWG	.XX		SCALE : N/A	SIZE : A4		
			.XXX	±0.004		PAGE : 6		