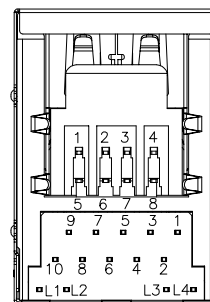
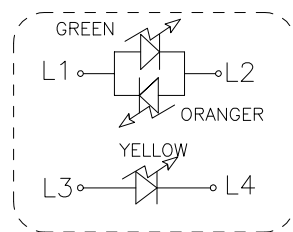
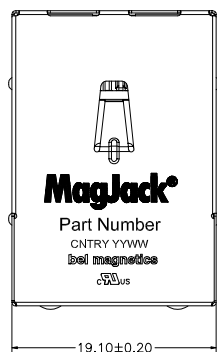
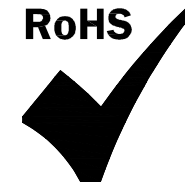


THE INFORMATION CONTAINED HEREIN IS CONSIDERED "PROPRIETARY" TO BEL FUSE INC. AND SHALL NOT BE COPIED, REPRODUCED OR DISCLOSED WITHOUT THE WRITTEN APPROVAL OF BEL FUSE INC.

RoHS



BOTTOM VIEW

NOTES:

Material:

1. Housing Material : THERMOPLASTIC (BRACK COLOR)
2. Contact Mateial : Phosphor Bronze T=0.35mm
3. Plating:: Contact Area- Selection Gold Plating 6U".
4. Shield : Copper Alloy (OR STEEL ALLOY) 0.20mm Thickness Plating Ni.
5. LED : Option.

Feature:

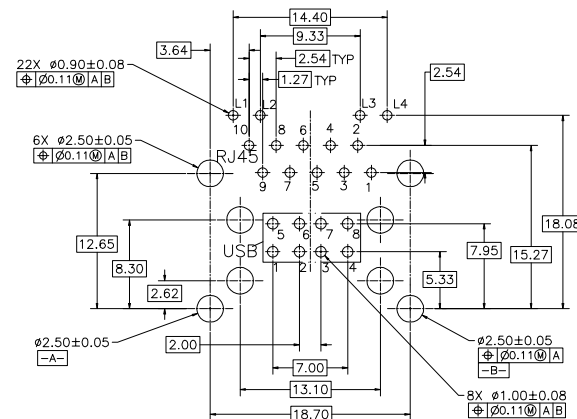
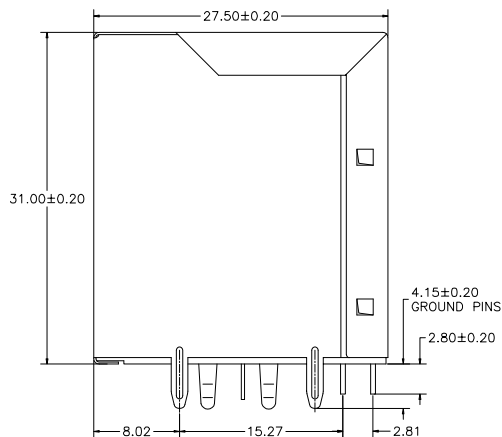
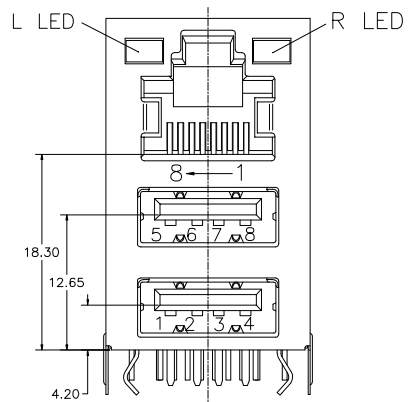
1. RJ45 10/1000Base-Tx Transformer Jack With Transformer /Impedance Resistor/High Voltage Capacitor.
2. Designed To Meet IEEE 802.3ab Requirement.
3. Designed For 1000 Base Transmission over UTP-5 Cable.
4. Operation Temperature Range: 0° C To 70° C

Mechanical:

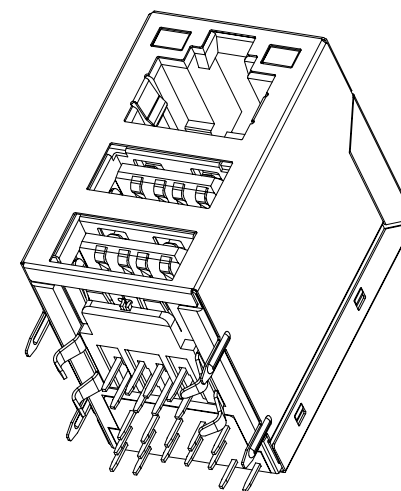
1. Operating Life: 1000 Cycles Min.
2. PCB Retention Pre-Solder: 1 Lb Min.

Environmental:

1. Mates With Modular Plug Conforming To Fcc Part 68, Subpart F.



SUGGESTED CUSTOMER BOARD LAYOUT



P01-3CG3-01
PART NUMBER

DRAWN	24Apr2024
JARRY YE /	FRANK LIU
CHECKED	24Apr2024
BILL LIU	
APPROVED	24Apr2024
TONY YUAN	

TITLE	Gigabit MagJack [®] (WITH LED) PATENTED
-------	--

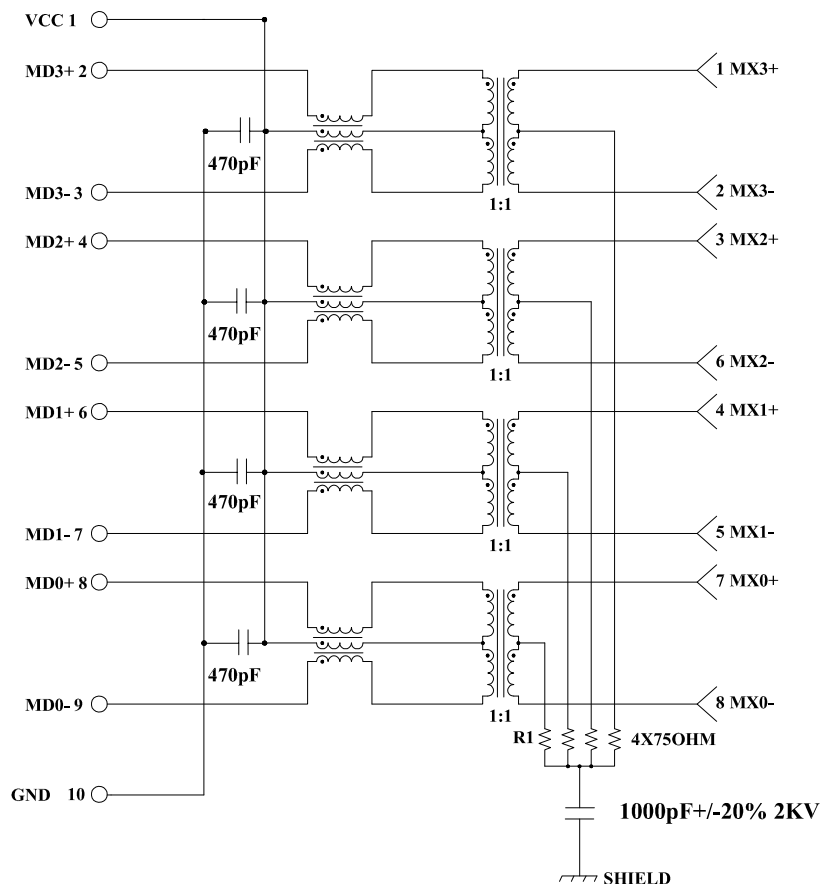
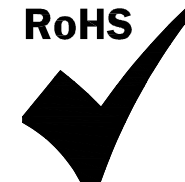
DRAWING NO.	P01-3CG3
FILE NAME	P01-3CG3_1.DWG

UNLESS OTHERWISE NOTED, TOL:			
X.	±0.38	SIZE:	A4
.X	±0.38	UNIT:	mm
.XX	±0.25	SCALE:	N/A
.XXX	±0.13	PAGE: 1/3	REV.: 1



THE INFORMATION CONTAINED HEREIN IS CONSIDERED "PROPRIETARY" TO BEL FUSE INC. AND SHALL NOT BE COPIED, REPRODUCED OR DISCLOSED WITHOUT THE WRITTEN APPROVAL OF BEL FUSE INC.

RoHS



Electrical Specification @ 25 C°

PARAMETER	SPECIFICATIONS	
TURNS RATIO	1.00 ± 2%	
POLARITY	PER SCHEMATIC	
INSERTION LOSS (DATA CHANNELS)	100 KHz-125MHz	
	1.2 dB MAX	
RETURN LOSS (Z OUT=100 OHM ±1%)	0.5-40 MHz	40 MHz-100 MHz
	18 dB MIN	12+20LOG(f/80)dB MIN
CROSS TALK LOSS	1-40 MHz	40-100 MHz
	35 dB MIN	33-20LOG(f/50) dB MIN
COMMON MODE REJECTION RATIO	1-100 MHz	
	30 dB MIN	
INDUCTANCE (OCL)	350 uH MIN @ 100 KHz, 100 mV, 8mA DC BIAS	
HIPOT-OUTPUT ISOLATION	2250 VDC MIN @ 60 SECONDS	

DRAWN 24Apr2024
JARRY YE / FRANK LIU

CHECKED 24Apr2024
BILL LIU

APPROVED 24Apr2024
TONY YUAN

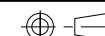
TITLE
Gigabit MagJack®
(WITH LED)
PATENTED

DRAWING NO.
P01-3CG3

FILE NAME
P01-3CG3_1.DWG

UNLESS OTHERWISE
NOTED, TOL:

X.	±0.38
.X	±0.38
.XX	±0.25
.XXX	±0.13



SIZE:	A4
UNIT:	mm
SCALE:	N/A
PAGE:	2/3
REV.:	1



a bel group

THE INFORMATION CONTAINED HEREIN IS CONSIDERED "PROPRIETARY" TO BEL FUSE INC. AND SHALL NOT BE COPIED, REPRODUCED OR DISCLOSED WITHOUT THE WRITTEN APPROVAL OF BEL FUSE INC.

RoHS



CHANGE HISTORY

ISSUE	DATE	DESCRIPTIN OF CHANGE	REASON	DRAWN	APPROVAL	ECN#
1	24APR2024	-	INITIAL RELEASE	JARRY YE	TONY YUAN	-

DRAWN 24Apr2024
JARRY YE / FRANK LIU

TITLE

Gigabit MagJack[®]
(WITH LED)
PATENTED

DRAWING NO.
P01-3CG3

UNLESS OTHERWISE NOTED, TOL:



CHECKED 24Apr2024
BILL LIU

APPROVED 24Apr2024
TONY YUAN

FILE NAME
P01-3CG3_1.DWG

X.	±0.38	SIZE:	A4
.X	±0.38	UNIT:	mm
.XX	±0.25	SCALE:	N/A
.XXX	±0.13	PAGE: 3/3	REV.: 1



bel MAGNETIC SOLUTIONS
a bel group