

THE INFORMATION CONTAINED HEREIN IS CONSIDERED "PROPRIETARY" TO BEL FUSE INC. AND SHALL NOT BE COPIED, REPRODUCED OR DISCLOSED WITHOUT THE WRITTEN APPROVAL OF BEL FUSE INC.

RoHS



NOTE:

1. CONNECTOR MATERIALS:

HOUSING: THERMOPLASTIC UL94 V-0

CONTACT: COPPER ALLOY

SHIELD: STAINLESS STEEL, SUS304, 1.27um NICKEL PLATING, TIN DIPPING ON GROUND PINS

CONTACT PLATING: 1.27um MIN. OVERALL NICKEL UNDERPLATE AND SELECTIVE 1.27um HARD GOLD PLATING AT MATING AREA

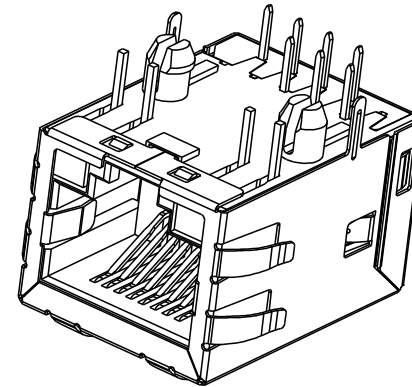
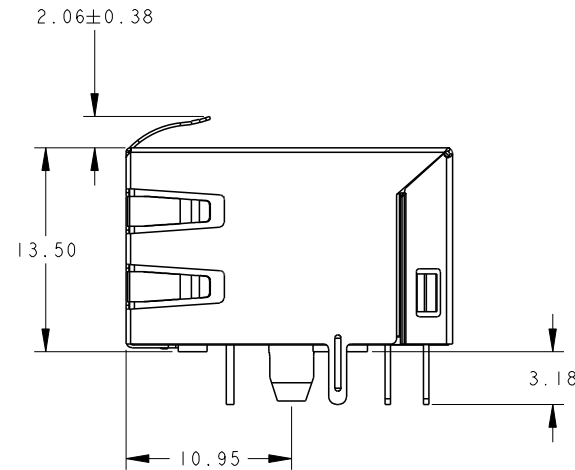
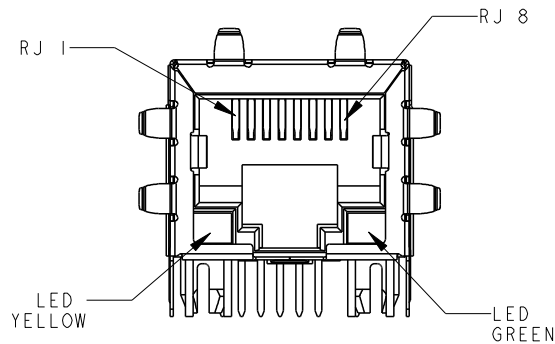
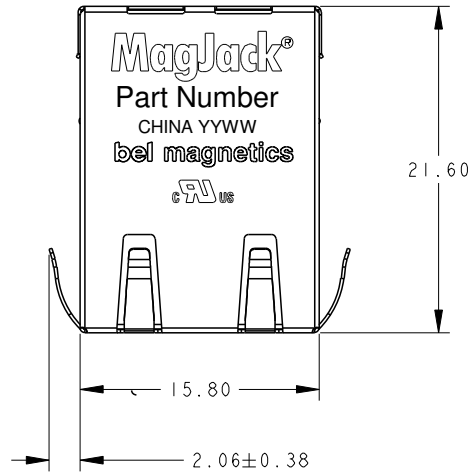
2. PIN NOT ELECTRICALLY CONNECTED MAYBE OMITTED. SEE ELECTRICAL DRAWING FOR OMITTED PINS.

3. RJ45 JACK CAVITY CONFORMS TO FCC RULES AND REGULATIONS PART 68 SUB PART F.

4. THE PRODUCT IS RoHS COMPLIANT.

5. THE PART IS RECOMMENDED FOR WAVE SOLDERING: THE SUGGESTED PEAK WAVE SOLDERING CONDITION IS 260°C MAX AND 10 SECONDS MAX.

6. THE PART IS RECOMMENDED FOR IR REFLOW: FOR IR REFLOW, THE SUGGESTED PEAK IR REFLOW CONDITION IS 245°C MAX AND 30 SECONDS MAX.



IR REFLOW (NOTE 6)	P01-0006-02
WAVE (NOTE 5)	P01-0006-01
CUSTOMER SOLDERING	PART NUMBER

DRAWN	2023-11-13
TOWER YU / FRANK LIU	
CHECKED	2023-11-13
BILL LIU	
APPROVED	2023-11-13
TONY YUAN	

TITLE	IXI 10/100BT MAGJACK TAB DOWN, SHIELDED EXTENDED TEMPERATURE
-------	--

DRAWING NO.	P01-0006
FILE NAME	P01-0006.DRW

UNLESS OTHERWISE NOTED, DIM. TOL.:			
.X	±0.25	SIZE:	A4
.X	±0.25	UNIT:	mm
.XX	±0.25	SCALE:	NA
.XXX	±0.25	PAGE:	1 / 4
		REV.:	1



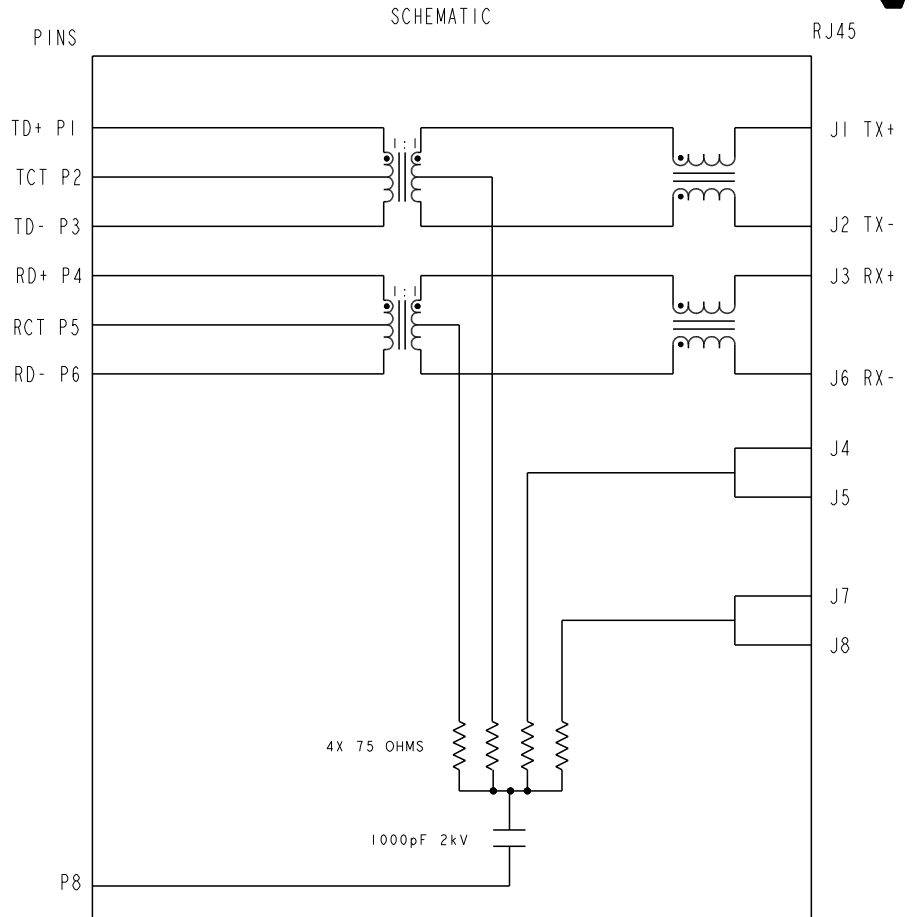


ELECTRICAL CHARACTERISTICS @25°C

1. MAGNETICS

- APPLICATION: 10/100 BASE-T, EXTENDED TEMPERATURE
- IMPEDANCE: 100 OHMS
- TURNS RATIO (CHIP:CABLE): TX=1:1, RX=1:1
- OPEN CIRCUIT INDUCTANCE (OCL): 350uH MIN @100kHz, 0.1VRMS,
8mADC BIAS FROM -40°C TO 85°C, TX AND RX
- PERFORMANCE @ 25°C:
 - INSERTION LOSS (IL): 1.1dB MAX FROM 0.5MHz TO 100MHz
 - RETURN LOSS (RL): 18dB MIN FROM 0.5MHz TO 30MHz
18-20LOG(f/80)dB MIN FROM 30.1MHz TO 60MHz
12dB MIN FROM 60.1MHz TO 80MHz
 - CROSSTALK ATTENUATION: 35dB MIN FROM 0.5MHz TO 40MHz
33-20LOG(f/50)dB MIN FROM 40.1MHz TO 100MHz
 - COMMON MODE REJECTION RATIO (CMRR): 30dB MIN FROM 0.5MHz TO 100MHz
- ISOLATION VOLTAGE: 2250VDC (MAX) FOR 60 SECONDS WITH A RISE TIME OF 500V/SEC

2. OPERATING TEMPERATURE: FROM -40°C TO 85°C



NOTES

1.0 PINS WITHOUT ELECTRICAL CONNECTION ARE OMITTED.

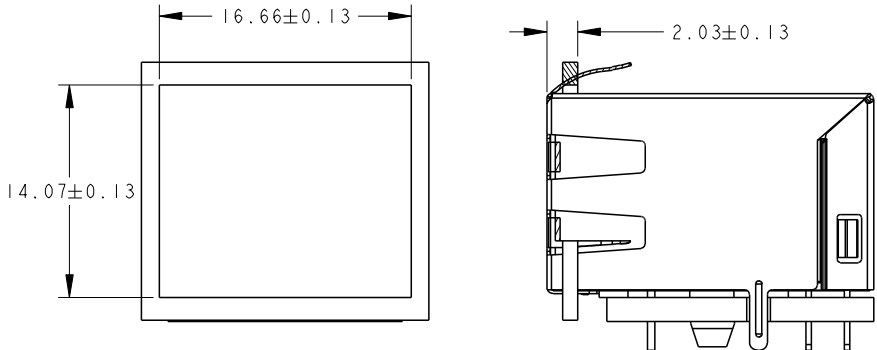
DRAWN	2023-11-13
TOWER YU / FRANK LIU	
CHECKED	2023-11-13
BILL LIU	
APPROVED	2023-11-13
TONY YUAN	

TITLE	IXI 10/100BT MAGJACK TAB DOWN, SHIELDED EXTENDED TEMPERATURE
--------------	--

DRAWING NO.	P01-0006
FILE NAME	P01-0006.DRW

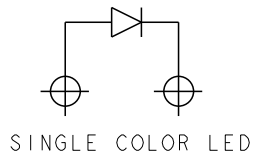
UNLESS OTHERWISE NOTED, DIM. TOL.:			
X.	±0.25	SIZE:	A4
.X	±0.25	UNIT:	mm
.XX	±0.25	SCALE:	NA
.XXX	±0.25	PAGE:	2 / 4
		REV.:	1



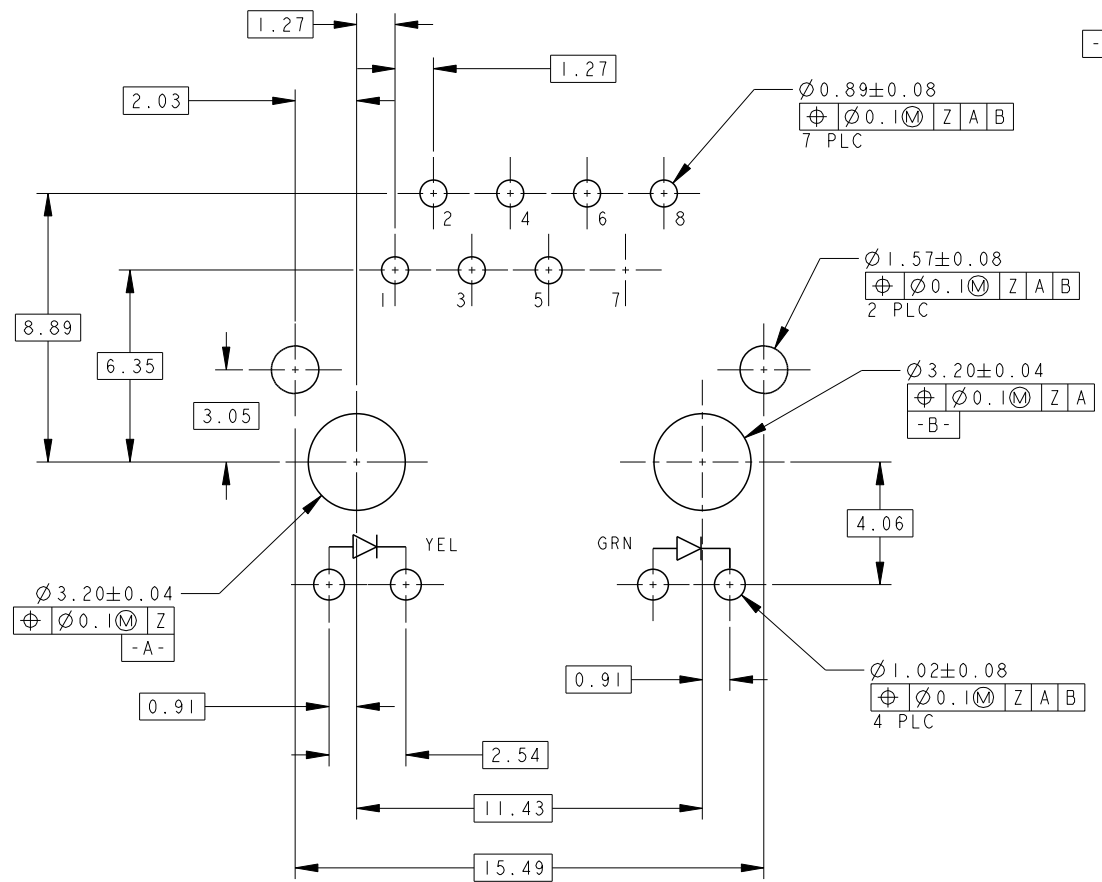


NOTES: **SUGGESTED PANEL OPENING**
 THE SUGGESTED PANEL OPENING IS INTENDED TO GIVE THE USER THE ABILITY TO HAVE REASONABLE JACK / PANEL CLEARANCES YET MAINTAIN RELIABLE GROUNDING CAPABILITY.

LED POLARITY DETAIL
(ENLARGED VIEW)



LED SPECIFICATION			
STANDARD LED	WAVELENGTH	Forward V (MAX)	*(TYP)
GREEN	568 nm	2.5 V	2.2 V
YELLOW	588 nm	2.5 V	2.1 V
*WITH A FORWARD CURRENT OF 20 mA (TYP)			



-Z-

DRAWN	2023-11-13
TOWER YU / FRANK LIU	
CHECKED	2023-11-13
BILL LIU	
APPROVED	2023-11-13
TONY YUAN	

TITLE
 IXI 10/100BT MAGJACK
 TAB DOWN, SHIELDED
 EXTENDED TEMPERATURE

DRAWING NO.	P01-0006
FILE NAME	P01-0006.DRW

UNLESS OTHERWISE NOTED, DIM. TOL.:			
X.	±0.25	SIZE:	A4
.X	±0.25	UNIT:	mm
.XX	±0.25	SCALE:	NA
.XXX	±0.25	PAGE:	3 / 4
		REV.:	1



THE INFORMATION CONTAINED HEREIN IS CONSIDERED "PROPRIETARY" TO BEL FUSE INC. AND SHALL NOT BE COPIED, REPRODUCED OR DISCLOSED WITHOUT THE WRITTEN APPROVAL OF BEL FUSE INC.

RoHS



CHANGE HISTORY						
ISSUE	DATE	DESCRIPTION OF CHANGE	REASON	DRAWN	APPROVAL	ECN#
1	2023-11-13	INITIAL RELEASE	-	TOWER YU	TONY YUAN	-

DRAWN	2023-11-13
TOWER YU / FRANK LIU	
CHECKED	2023-11-13
BILL LIU	
APPROVED	2023-11-13
TONY YUAN	

TITLE	IXI 10/100BT MAGJACK TAB DOWN, SHIELDED EXTENDED TEMPERATURE
--------------	--

DRAWING NO.	P01-0006
FILE NAME	P01-0006.DRW

UNLESS OTHERWISE NOTED, DIM. TOL. :			
X.	±0.25	SIZE :	A4
.X	±0.25	UNIT :	mm
.XX	±0.25	SCALE :	NA
.XXX	±0.25	PAGE :	4 / 4
		REV. :	1



bel MAGNETIC SOLUTIONS
a bel group