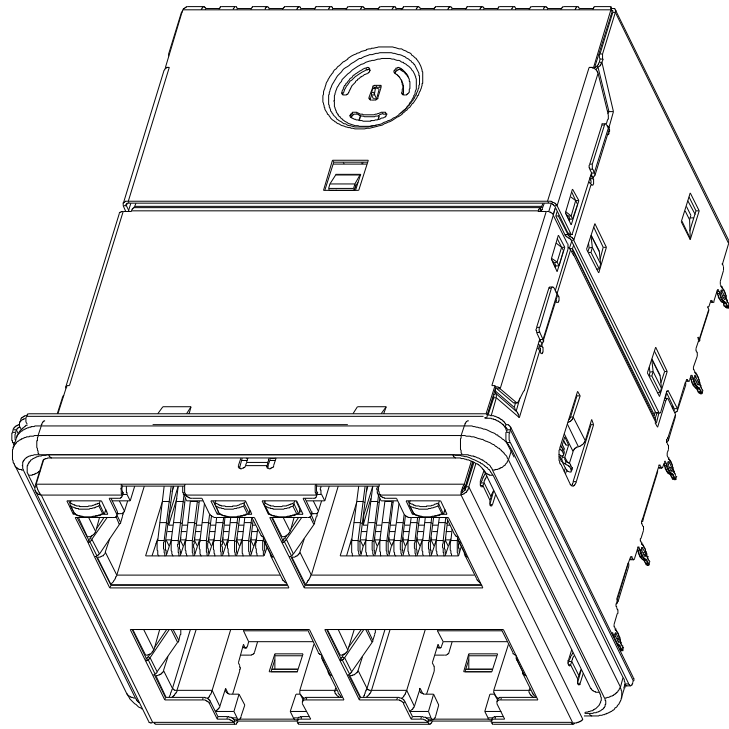


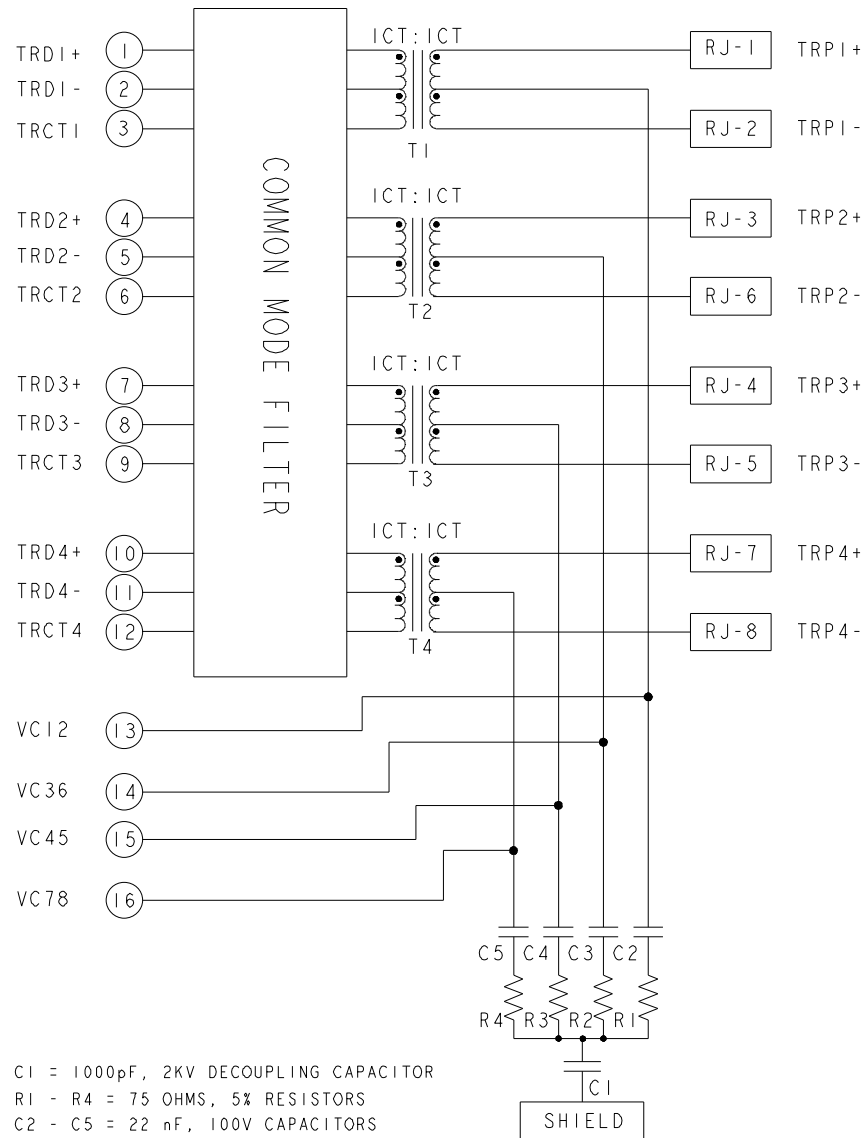
THIS DRAWING AND THE SUBJECT MATTER SHOWN THEREON ARE CONFIDENTIAL AND THE PROPERTY OF BEL/STEWART/TRP CONNECTOR AND SHALL NOT BE REPRODUCED, COPIED, OR USED IN ANY MANNER WITHOUT THE WRITTEN CONSENT OF TRP CONNECTOR.

PRODUCT MAY BE PROTECTED BY ONE OR MORE OF THE FOLLOWING US PATENTS:
 5736910 5939955 6425781 6428361 6554638 6840817 7123117
 7429195 7717749 7808751 6217391 6149050 7924130

REVISIONS				
#	LT#	DESCRIPTION	DATE	OWN APVD
1		INITIAL RELEASE	19JUL2024	CZ TY




S9HTG08ET 10G 4PPoE CIRCUIT

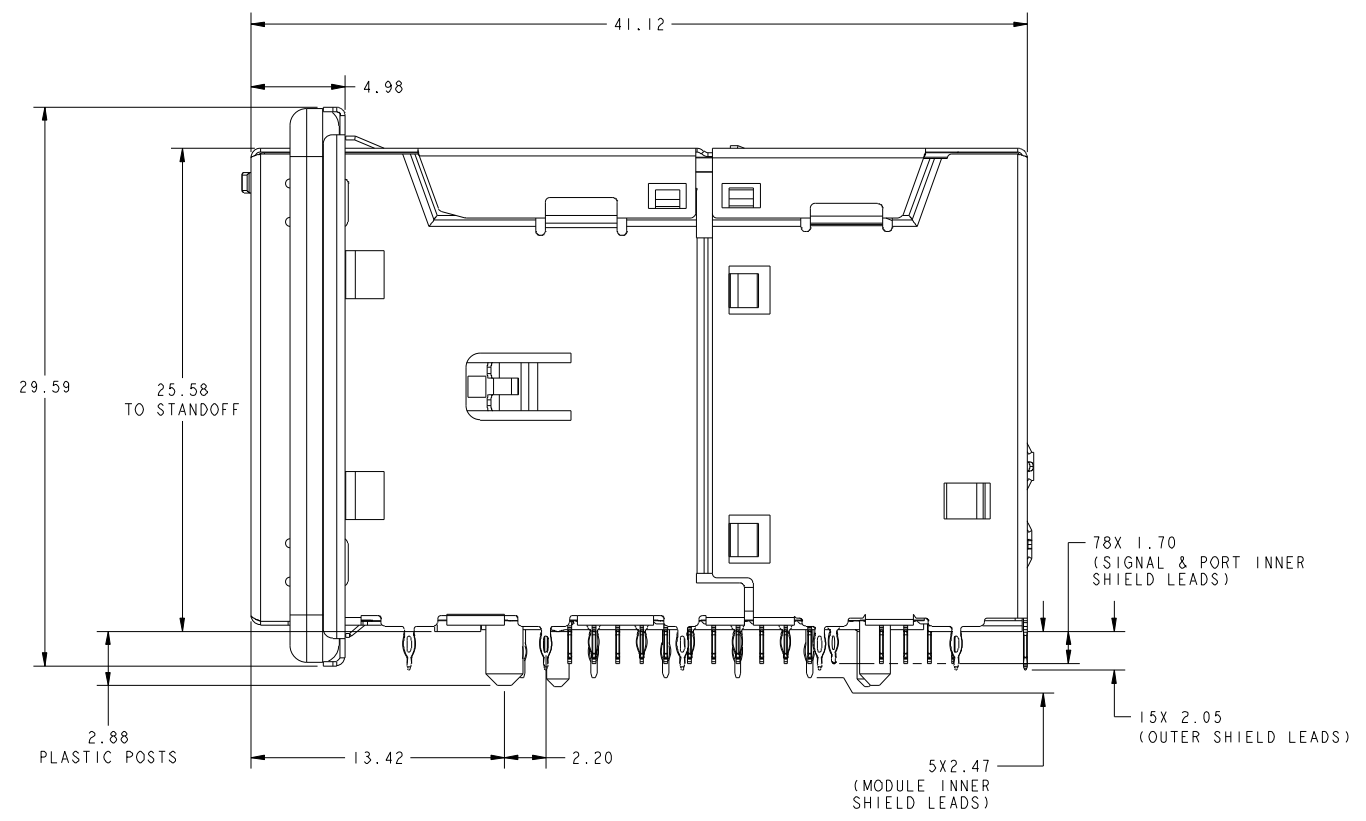
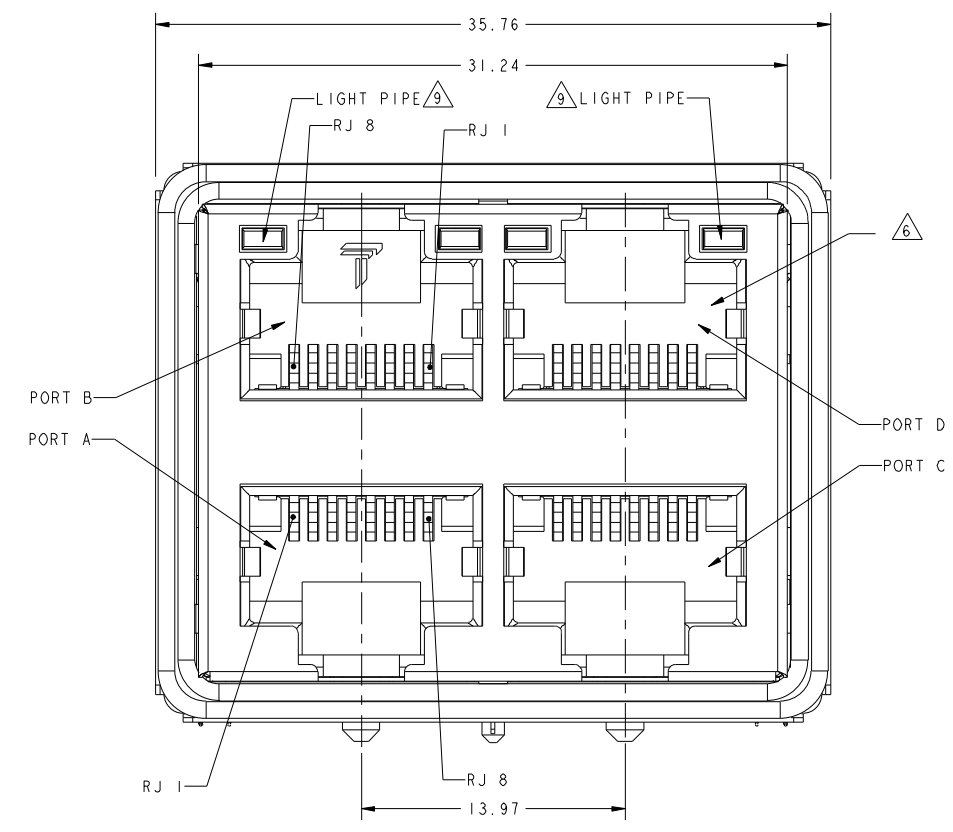
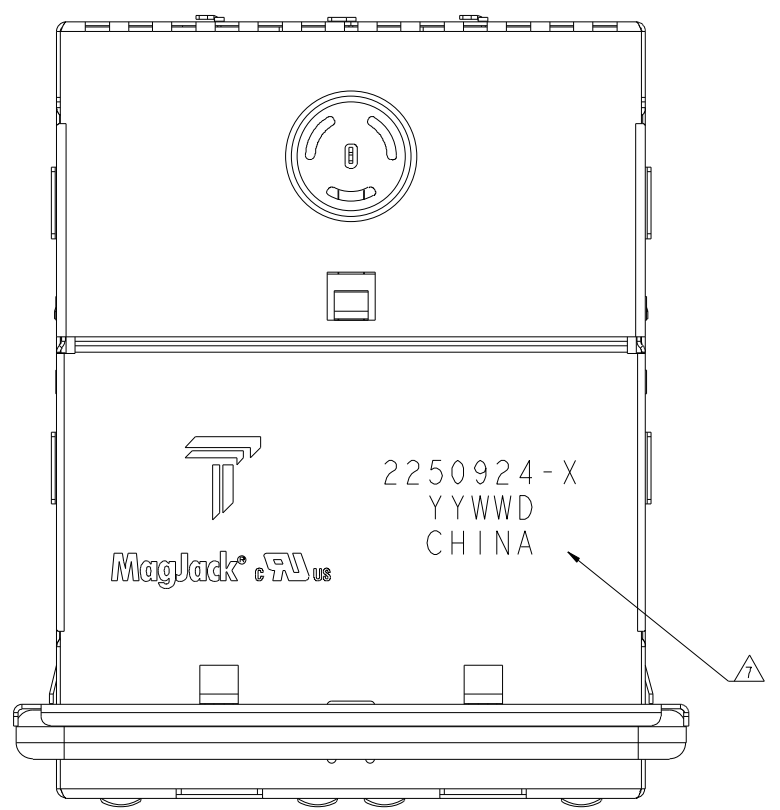


C1 = 1000pF, 2KV DECOUPLING CAPACITOR
 R1 - R4 = 75 OHMS, 5% RESISTORS
 C2 - C5 = 22 nF, 100V CAPACITORS

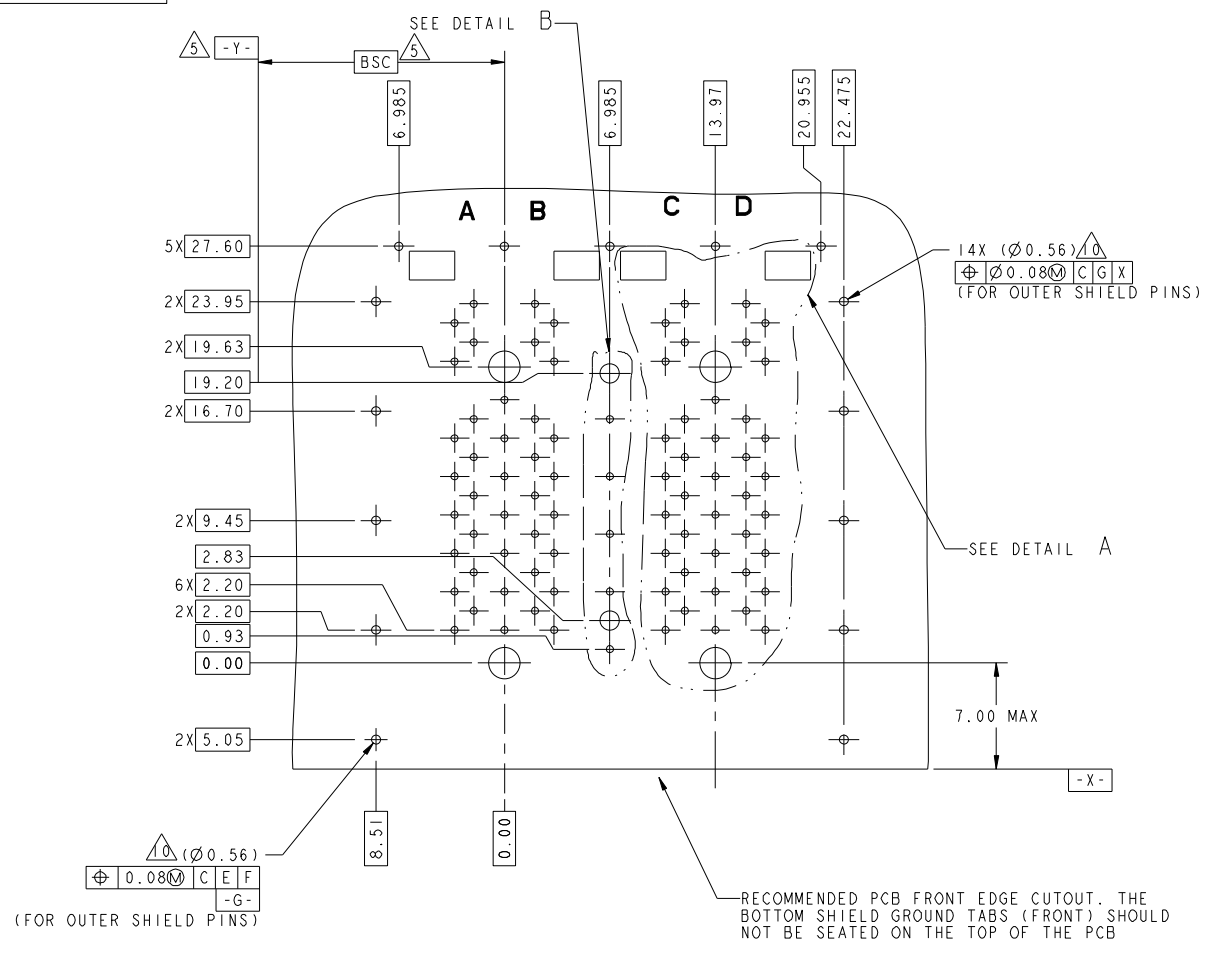
1. MATERIALS
 HOUSING: THERMOPLASTIC, BLACK, FLAMMABILITY RATING UL 94V-0
 SHIELD: NICKEL OR TIN PLATED ON COPPER ALLOY
 COMPLIANT PIN: PHOSPHOR BRONZE, PLATED WITH 2.54um MIN MATTE TIN OVER 1.27um MIN NICKEL
 CONTACT: PHOSPHOR BRONZE, WITH 1.27um MIN OVERALL NICKEL UNDERPLATE AND SELECTIVE 1.27um MIN GOLD PLATING AT MATING INTERFACE
2. MAGNETICS
 - APPLICATION: 1G/2.5G/5G/10G BASE-T, EXTENDED TEMPERATURE
 - IMPEDANCE: 100 OHMS
 - TURNS RATIO (CHIP:CABLE): 1:1 ALL FOUR PAIRS
 - OPEN CIRCUIT INDUCTANCE (OCL): 120uH MIN @100kHz, 0.1VRMS, 19mA DC BIAS, FROM -40°C TO 85°C. ALL FOUR PAIRS
 - ALL FOUR PAIRS BI-DIRECTIONAL
 - PoE CURRENT: 600mADC
 - PERFORMANCE @ 25°C (WHERE f IS FREQUENCY IN MHz)
 (a) INSERTION LOSS (IL):
 1 MHz TO 400 MHz -0.5-1.3*(f-1)/400 dB MIN
 (b) RETURN LOSS (RL):
 1 MHz TO 100 MHz -17 dB MAX
 100 MHz TO 500 MHz -17 + 20.75LOG10(f/100) dB MAX
 (c) CROSSTALK ATTENUATION:
 1 MHz TO 500 MHz -20 dB MAX
 (d) COMMON MODE REJECTION:
 1 MHz TO 500 MHz -16 dB MAX
 - ISOLATION VOLTAGE: 2250VDC FOR 60 SECONDS WITH A RISE TIME OF 500V/SEC, WITH ALL PORTS CONNECTED.
3. THE MAGNETIC CIRCUIT ON ALL FOUR CHANNELS IS SYMMETRICAL AND SUPPORTS AUTO-MDIX OPERATION.
4. OPERATING TEMPERATURE: -40°C - 85°C.
5. DATUM Y AND BASIC DIMENSION ESTABLISHED BY CUSTOMER.
6. RJ45 CAVITY CONFORMS TO FCC RULES AND REGULATION PART 68 SUBPART F.
7. TRP CONNECTOR LOGO, PART NUMBER, DATE CODE, COUNTRY OF ORIGIN, AGENCY APPROVAL MARKING IN APPROPRIATE LOCATION SHOWN.
 DATE CODE: YYWWD WHERE "YY" IS YEAR, "WW" IS WORK WEEK, "D" IS DAY OF WEEK, WITH SUNDAY= 1
8. PANEL SEATING LOCATION WITH RESPECT TO CUSTOMER PCB EDGE.
9. THE FINISHED GOODS IS WITHOUT SMD LED, THE SMD LED IS PROVIDED BY CUSTOMER HERSELF, AND THE SMD LED IS MOUNTED ON CUSTOMER PCB.
10. FOR HOLE SIZE AND PLATINGS, SEE SHEET 4.

2250924-1
 PART NUMBER

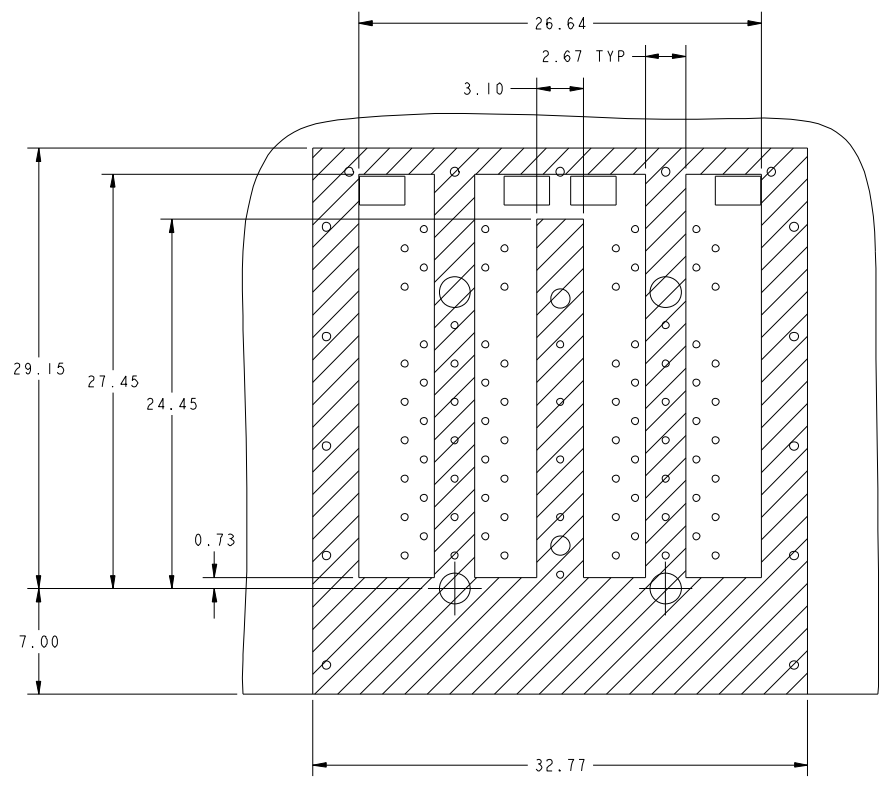
THIS DRAWING IS A CONTROLLED DOCUMENT. AND COMPLIANT TO ASME Y14.5M		DWN: CLOUD ZENG / TERRY LIN 19JUL2024 CHR: RICK LI / BILL LIU 19JUL2024 APVD: TONY YUAN 19JUL2024		 trp CONNECTOR DONGGUAN CHINA	
DIMENSIONS: mm		TOLERANCES UNLESS OTHERWISE SPECIFIED: 0 PLC ±0.25 1 PLC ±0.25 2 PLC ±0.25 3 PLC ±0.25 4 PLC ±0.25 ANGLES ±°		MODEL NAME: MAGJACK STACK 4PPoE	
PRODUCT SPEC: 108-104017		APPLICATION SPEC: -		DESC: 2X2, S9HTG08ET 10G 60W 4PPoE WITH LIGHT PIPE	
		SIZE: A1		CAGE CODE: - DRAWING NO: 2250924	
		CUSTOMER DRAWING		RESTRICTED TO: - SCALE: NTS SHEET 1 OF 6 REV 1	



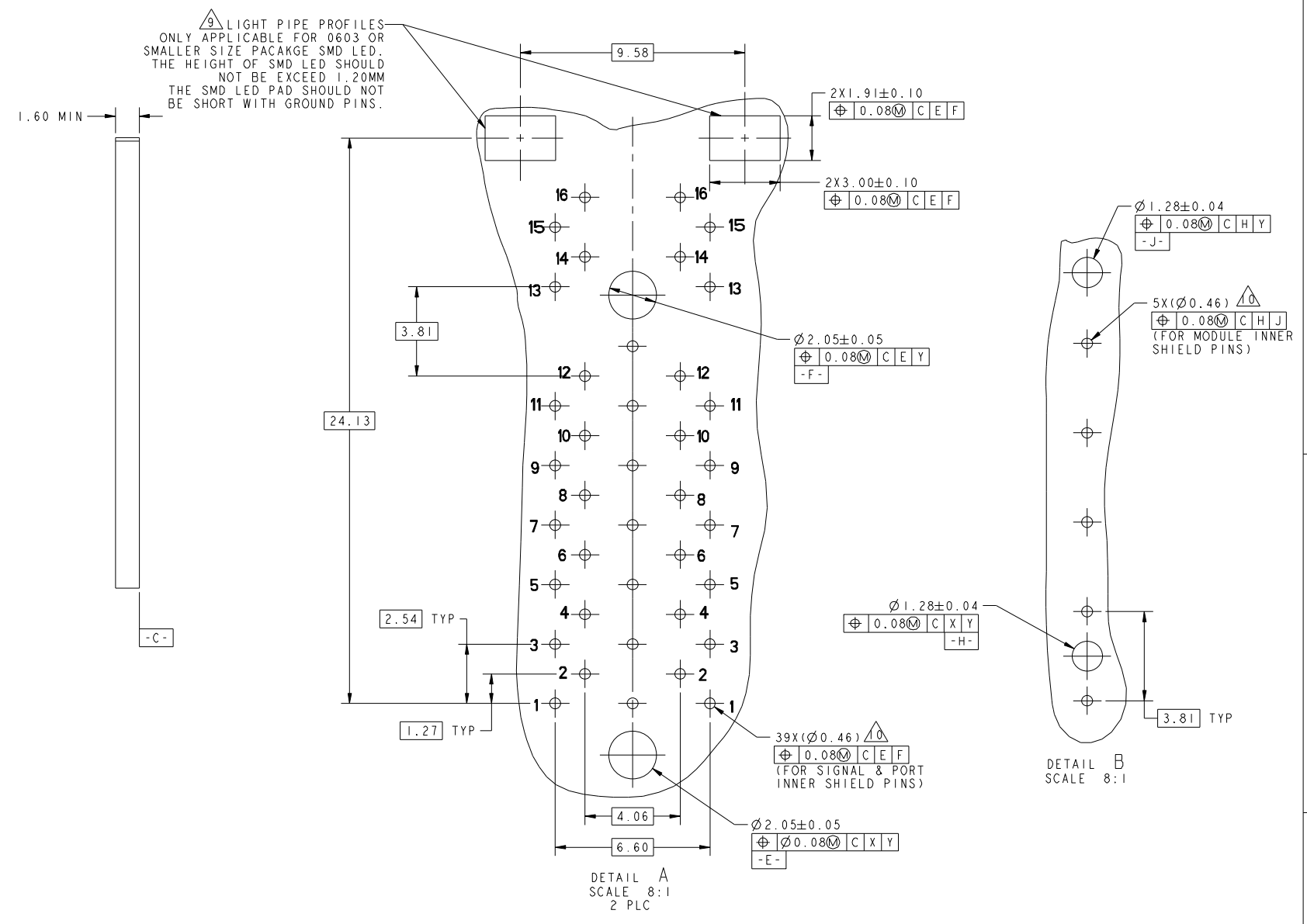
THIS DRAWING IS A CONTROLLED DOCUMENT AND COMPLIANT TO ASME Y14.5M		DWN: CLOUD ZENG / TERRY LIN 19JUL2024 CHR: RICK LI / BILL LIU 19JUL2024 APJ: TONY YUAN 19JUL2024		trp CONNECTOR a bel group DONGGUAN CHINA
DIMENSIONS: mm 		TOLERANCES UNLESS OTHERWISE SPECIFIED: 0 PLC ±0.25 1 PLC ±0.25 2 PLC ±0.25 3 PLC ±0.25 4 PLC ±0.25 ANGLES ±°		
PRODUCT SPEC: 108-104017 APPLICATION SPEC: -		MODEL NAME: MAGJACK STACK 4P0E DESC: 2X2, S9HTG08ET 10G 60W 4P0E WITH LIGHT PIPE SIZE: A1 CAGE CODE: - DRAWING NO: 2250924 SCALE: NTS SHEET: 2 OF 6 REV: 1		RESTRICTED TO: -



**RECOMMENDED PC BOARD LAYOUT
 (VIEW FROM COMPONENT SIDE)**



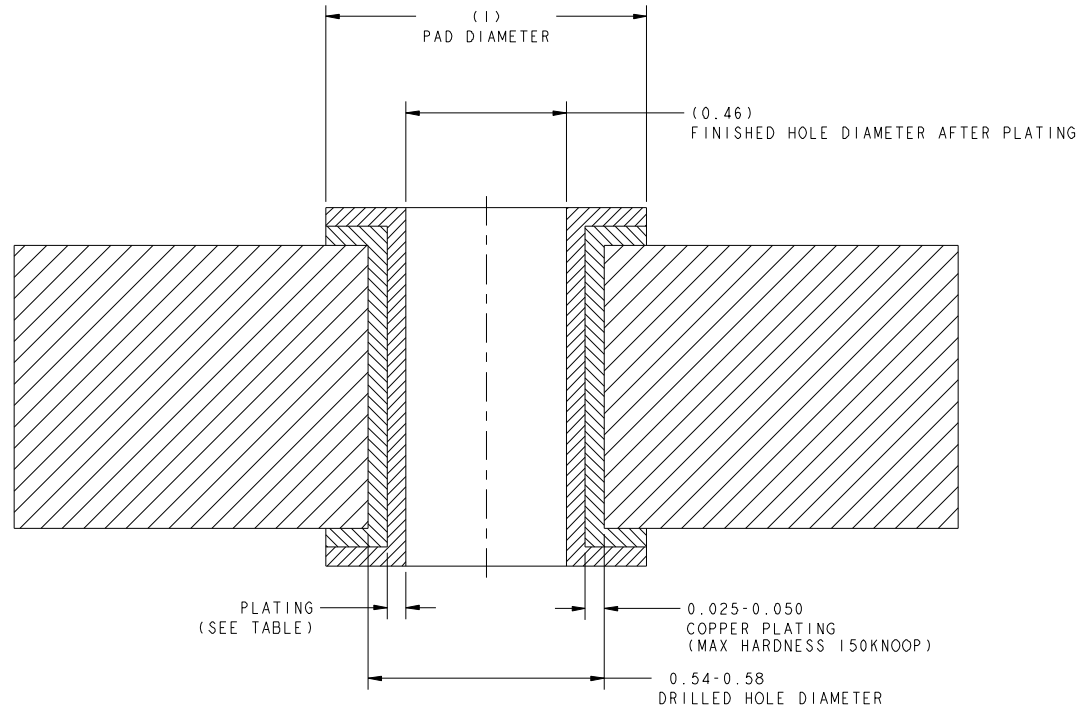
**THE SHADED AREA ON THE CUSTOMER BOARD ARE
 RECOMMENDED TO BE CLEAR OF ANY VIA HOLE OR
 COMPONENT PAD**



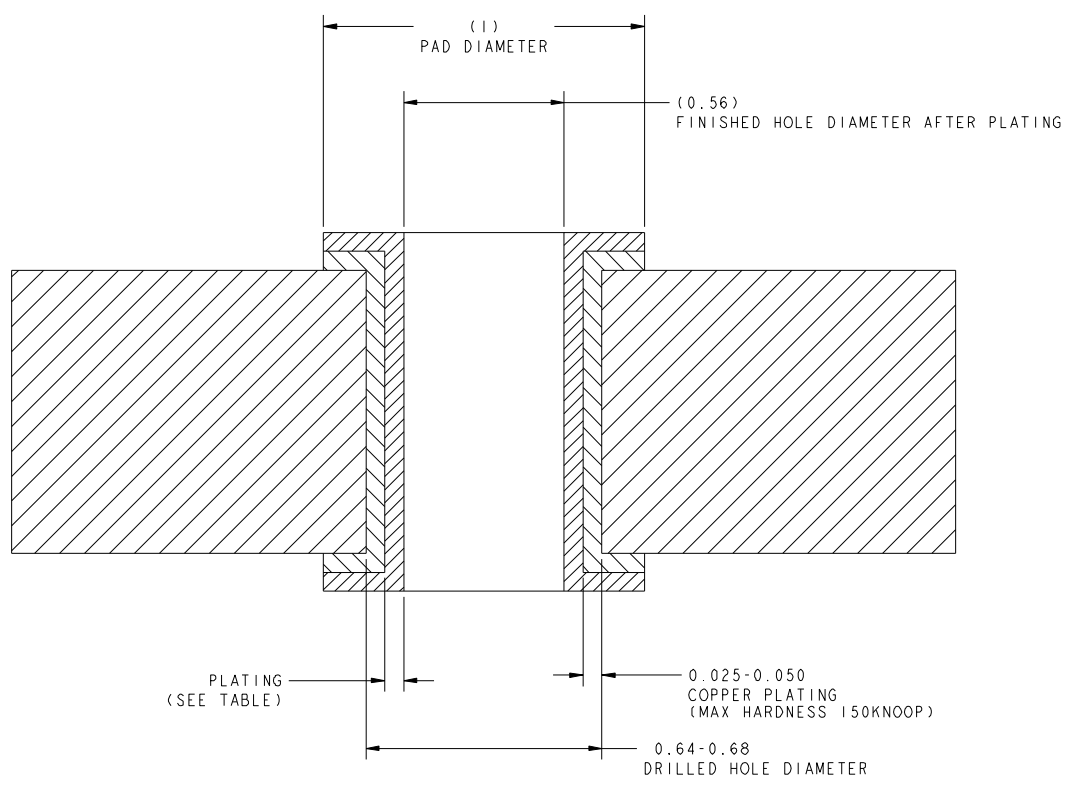
**DETAIL A
 SCALE 8:1
 2 PLC**

**DETAIL B
 SCALE 8:1**

THIS DRAWING IS A CONTROLLED DOCUMENT. AND COMPLIANT TO ASME Y14.5M		DWN: CLOUD ZENG / TERRY LIN 19JUL2024	DONGGUAN CHINA
DIMENSIONS: mm		CHK: RICK LI / BILL LIU 19JUL2024	
TOLERANCES UNLESS OTHERWISE SPECIFIED:		APPJ: TONY YUAN 19JUL2024	DESC: 2X2, S9HTG08ET 10G 60W 4PPoE WITH LIGHT PIPE SIZE: A1 CAGE CODE: - DRAWING NO: 2250924 RESTRICTED TO: - SCALE: NTS SHEET 3 OF 6 REV 1
0 PLC ±0.25 1 PLC ±0.25 2 PLC ±0.25 3 PLC ±0.25 4 PLC ±0.25 ANGLES ±°		MODEL NAME: MAGJACK STACK 4PPoE PRODUCT SPEC: 108-104017	



RECOMMENDED HOLE DIMENSIONS FOR SIGNAL & INNER SHIELD CONTACTS



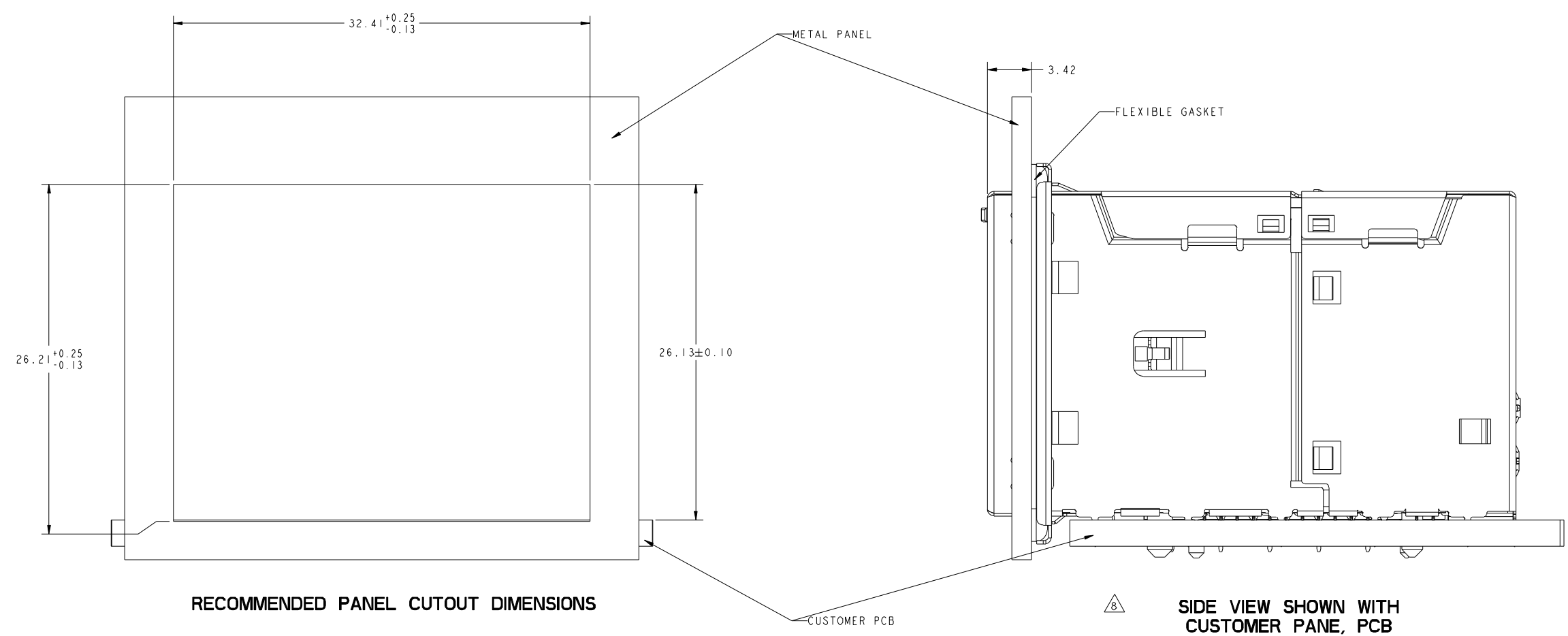
RECOMMENDED HOLE DIMENSIONS FOR OUTER SHIELD CONTACTS

THICKNESS	PLATING
0.004-0.010	HOT AIR SOLDER LEVELING (HASL) TIN-LEAD (Sn Pb)
0.0005-0.001	IMMERSION TIN (Sn)
0.0002-0.0005	ORGANIC SOLDERABILITY PRESERVATIVE (OSP)
0.0001-0.0005 Au, 0.004-0.0076 Ni	IMMERSION GOLD (Au) OVER NICKEL (Ni) (ENIG)
0.010-0.025	TIN LEAD PLATING (Sn Pb)
0.0001-0.00015	IMMERSION SILVER (Ag)

THIS DRAWING IS A CONTROLLED DOCUMENT. AND COMPLIANT TO ASME Y14.5M


DIMENSIONS: mm	TOLERANCES UNLESS OTHERWISE SPECIFIED: 0 PLC ±0.25 1 PLC ±0.25 2 PLC ±0.25 3 PLC ±0.25 4 PLC ± ANGLES ±	DWN: CLOUD ZENG / TERRY LIN 19JUL2024 CHR: RICK LI / BILL LIU 19JUL2024 APJD: TONY YUAN 19JUL2024	DESC: 2X2, S9HTG08ET 10G 60W 4PPoE WITH LIGHT PIPE
PRODUCT SPEC: 108-104017	APPLICATION SPEC: -	MODEL NAME: MAGJACK STACK 4PPoE	SIZE: A1 CAGE CODE: - DRAWING NO: 2250924
CUSTOMER DRAWING		SCALE: NTS SHEET 4 OF 6 REV 1	

trp CONNECTOR DONGGUAN CHINA




RECOMMENDED PANEL CUTOUT DIMENSIONS

△ 8 SIDE VIEW SHOWN WITH CUSTOMER PANE, PCB

THIS DRAWING IS A CONTROLLED DOCUMENT. AND COMPLIANT TO ASME Y14.5M		DWN: CLOUD ZENG / TERRY LIN 19JUL2024 CHK: RICK LI / BILL LIU 19JUL2024 APPD: TONY YUAN 19JUL2024		 DONGGUAN CHINA	
DIMENSIONS: mm		TOLERANCES UNLESS OTHERWISE SPECIFIED:		MODEL NAME: MAGJACK	
0 PLC ±0.25 1 PLC ±0.25 2 PLC ±0.25 3 PLC ±0.25 4 PLC ±0.25 ANGLES ±°		APPLICATION SPEC: -		DESC: 2X2, S9HTG08ET 10G 60W 4PPoE WITH LIGHT PIPE	
PRODUCT SPEC: 108-104017		DRAWING NO: A1		CAGE CODE: 2250924	
CUSTOMER DRAWING		SCALE: NTS		SHEET 5 OF 6 REV 1	

2250924				STOCK DISPOSITION				
2X2, S9HTG08ET 10G 60W 4PPoE, WITH LIGHT PIPE				A: CONTINUE AS IS D: USE OLD FIRST B: REWORK E: PARTS TO CONFORM C: SCRAP F: OTHER				
REVISION HISTORY								
DATE	REV	CHANGES	REASON	APPROVAL	INVENTORY (A,B,C,D,E,F)	WORK IN PROCESS (A,B,C,F)	SUPPLIER ORDERS (A,E,F)	OPEN CUST ORDERS (A,E,F)
19 JUL 2024	I	-	INITIAL RELEASE	TONY YUAN	-	-	-	-

THIS DRAWING IS A CONTROLLED DOCUMENT.
AND COMPLIANT TO ASME Y14.5M

DIMENSIONS: mm	TOLERANCES UNLESS OTHERWISE SPECIFIED: 0 PLC ±0.25 1 PLC ±0.25 2 PLC ±0.25 3 PLC ±0.25 4 PLC ± ANGLES ± APPLICATION SPEC	DWN: CLOUD ZENG / TERRY LIN 19 JUL 2024 CHK: RICK LI / BILL LIU 19 JUL 2024 APPD: TONY YUAN 19 JUL 2024	 trp CONNECTOR DONGGUAN CHINA
PRODUCT SPEC 108-104017	APPLICATION SPEC	MODEL NAME MAGJACK STACK 4PPoE	DESC 2X2, S9HTG08ET 10G 60W 4PPoE WITH LIGHT PIPE
CUSTOMER DRAWING		SIZE A1	SCALE NTS
SHEET 6 OF 6		REV 1	