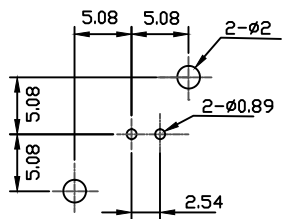
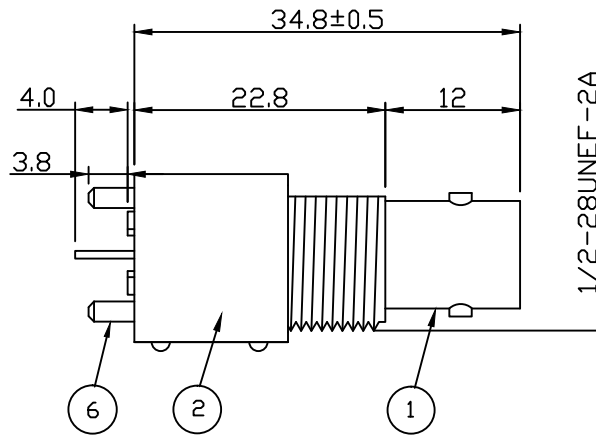
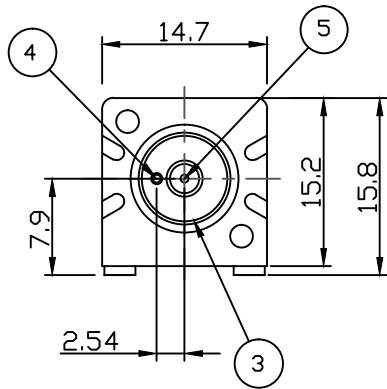
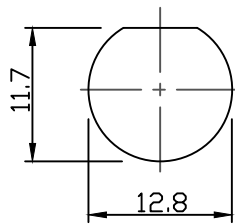


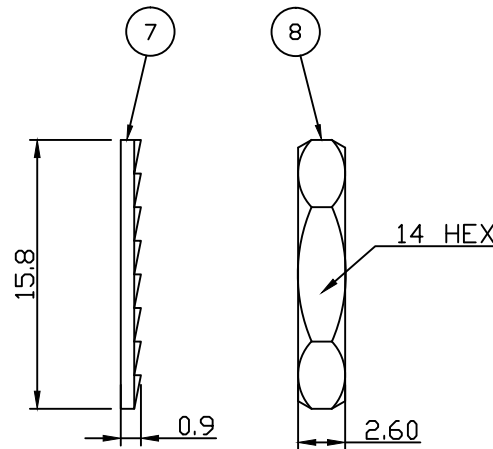
RoHS COMPLIANT



RECOMMENDED PCB LAYOUT



RECOMMENDED PANEL CUTOUT



**Electrical Characteristics**

Nominal Impedance:	50 ohms
Frequency Range:	DC to 4 GHz
VSWR:	1.3:1 maximum
Insertion Loss:	0.2 dB at 1 GHz
Operating Voltage (rms):	500 V maximum at sea level
Dielectric Withstand Voltage (rms):	1500 V maximum at sea level
Contact Resistance:	3.0 milliohms maximum
Insulation Resistance:	5000 megohms minimum

**Mechanical Characteristics**

Mating Cycles:	500 cycles minimum
Interface Dimensions:	Conform to MIL-C-39012

**Environmental Characteristics**

Temperature Range:	-55 °C to +85 °C
--------------------	------------------

REF.	DESCRIPTION	MATERIAL	PLATING
1	Shell	Zinc Alloy	Nickel
2	Body	Zinc	Nickel
3	Insulator	Polypropylene	
4	Ground Terminal	Brass	Tin
5	Socket Contact	Phosphor	Gold
6	Mount Post	Brass	Tin > 5 Microns
7	Lock Washer	Iron	Nickel
8	Hex Nut	Zinc	Nickel

ECN	DESCRIPTION	MS	ISS	DATE
ECN D17509		MS	6	30 Nov 21
ECN 2015-004		JC	5	28 May 15
PCB Layout		MS	4	28 Aug 09
Complete Update		KA	3	13 Mar 08
CAD Issue		SN	2	07 Feb 02
First Issue		DH	1	06 Jan 98
DESCRIPTION OF REVISION		APPVD	ISS	DATE



CINCH CONNECTIVITY SOLUTIONS  
 11 Bilton Road,  
 Chelmsford, Essex,  
 CM1 2UP, UK.  
 Tel: +44 (0) 1245 359515  
 Fax: +44 (0) 1245 358938

SCALE: Not To Scale

DIMENSIONS: mm

TOLERANCES:  
 ± 0.2mm unless  
 otherwise stated

DRAWN BY:	S Nash
CHECKED BY:	S Nash
APPROVED BY:	M Nielsen
DATE:	07 Feb 02

TITLE:  
**Insulated BNC Vertical PCB  
 Mount Jack**

PART NUMBER:  
**VBI301**  
 PAGE: 1 of 1