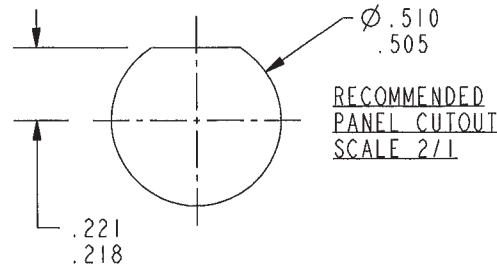
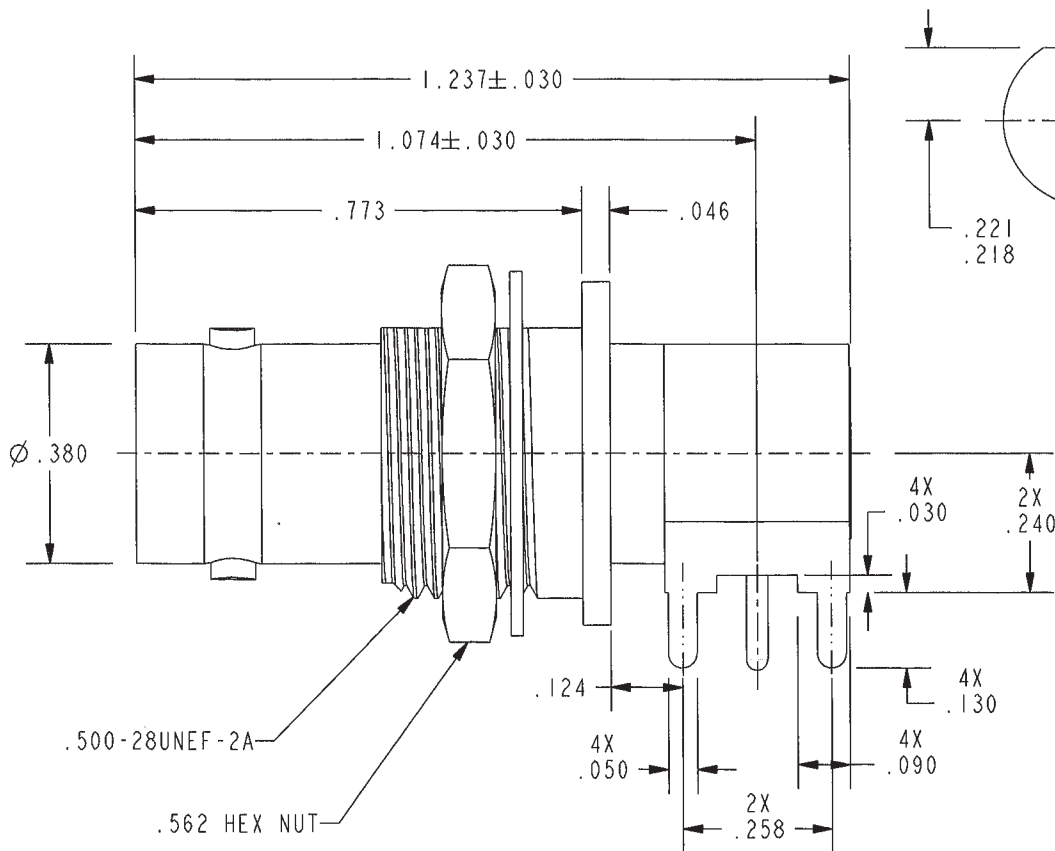


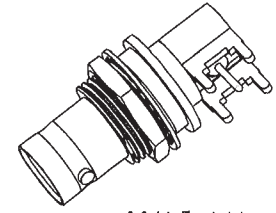
DASH NUMBER	MODEL NUMBER	LETTER CODE	IMPD Ω	A DIA
-1	CBBJR229		50	.046
-2	UCBBJR229		75	.029

DATA CONTAINED IN THIS DOCUMENT IS PROPRIETARY TO TROMPETER ELECTRONICS INC. AND SHALL NOT BE DISCLOSED, COPIED OR USED FOR PROCUREMENT OR MANUFACTURE WITHOUT EXPRESS WRITTEN PERMISSION.

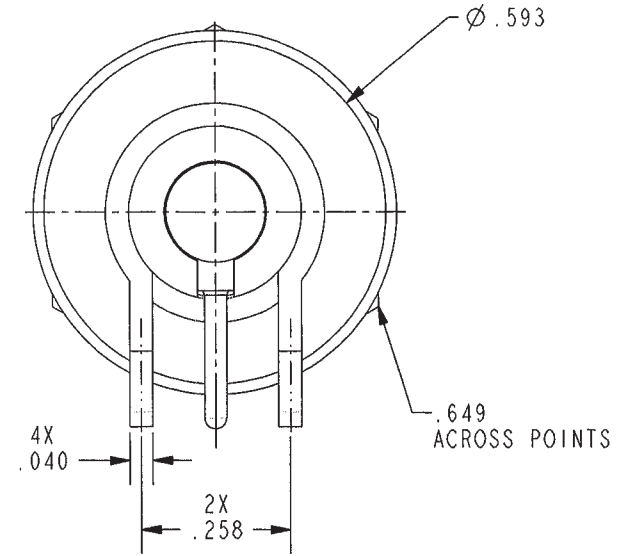
REVISIONS			
REV	DESCRIPTIONS	DATE	APPROVED
D	REVISED PER ECO 16628	7-18-08	ORama



RECOMMENDED
PANEL CUTOUT
SCALE 2/1

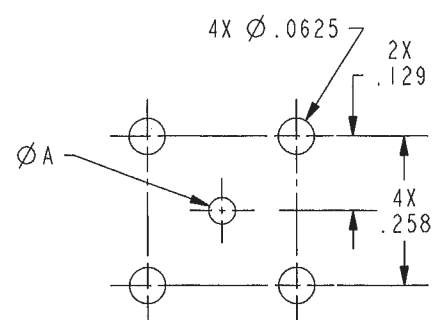


SCALE 1/1



- 1 SHOWN

RED INDICATES ORIGINAL



RECOMMENDED
MTG HOLE PATTERN
SCALE 3/1

- MAXIMUM PANEL THICKNESS .179
- FINISH: TFS-1A (NICKEL)
- 50 & 75 Ω RIGHT ANGLE CIRCUIT BOARD AND BULKHEAD MOUNTING BNC RECEPTACLE

NOTES: UNLESS OTHERWISE SPECIFIED.

INTERPRET DRAWING PER MIL-STD-100. DIMENSIONS ARE IN INCHES AND INCLUDE FINISH THICKNESS UNLESS OTHERWISE SPECIFIED.		TOL: UNLESS SPECIFIED. .XX ± .02 .XXX ± .010 ANGLE ± 1°			
DRN N JOHNSON	5-19-08	MATERIAL:		TITLE: U/CBBJR229	
CH JM	6-23-08	FINISH:		SIZE CAGE CODE A 14949	
QUANTITY	MANUF	APPROVED 		DRAWING NO. 1-0580	REV. D
NEXT ASSY	PROJE FILE NO. 1-0580	DO NOT SCALE DWG		SCALE 3/1	DATE 8-10-99
				SHEET 1C	