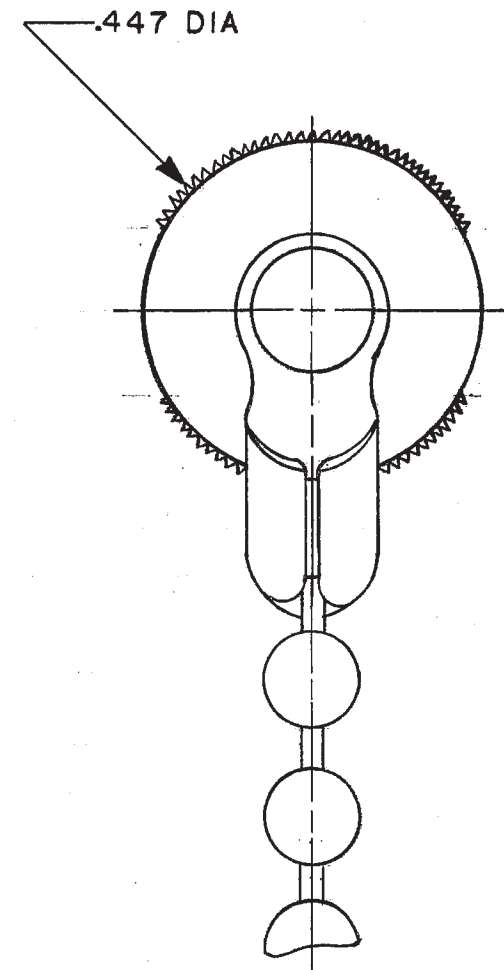
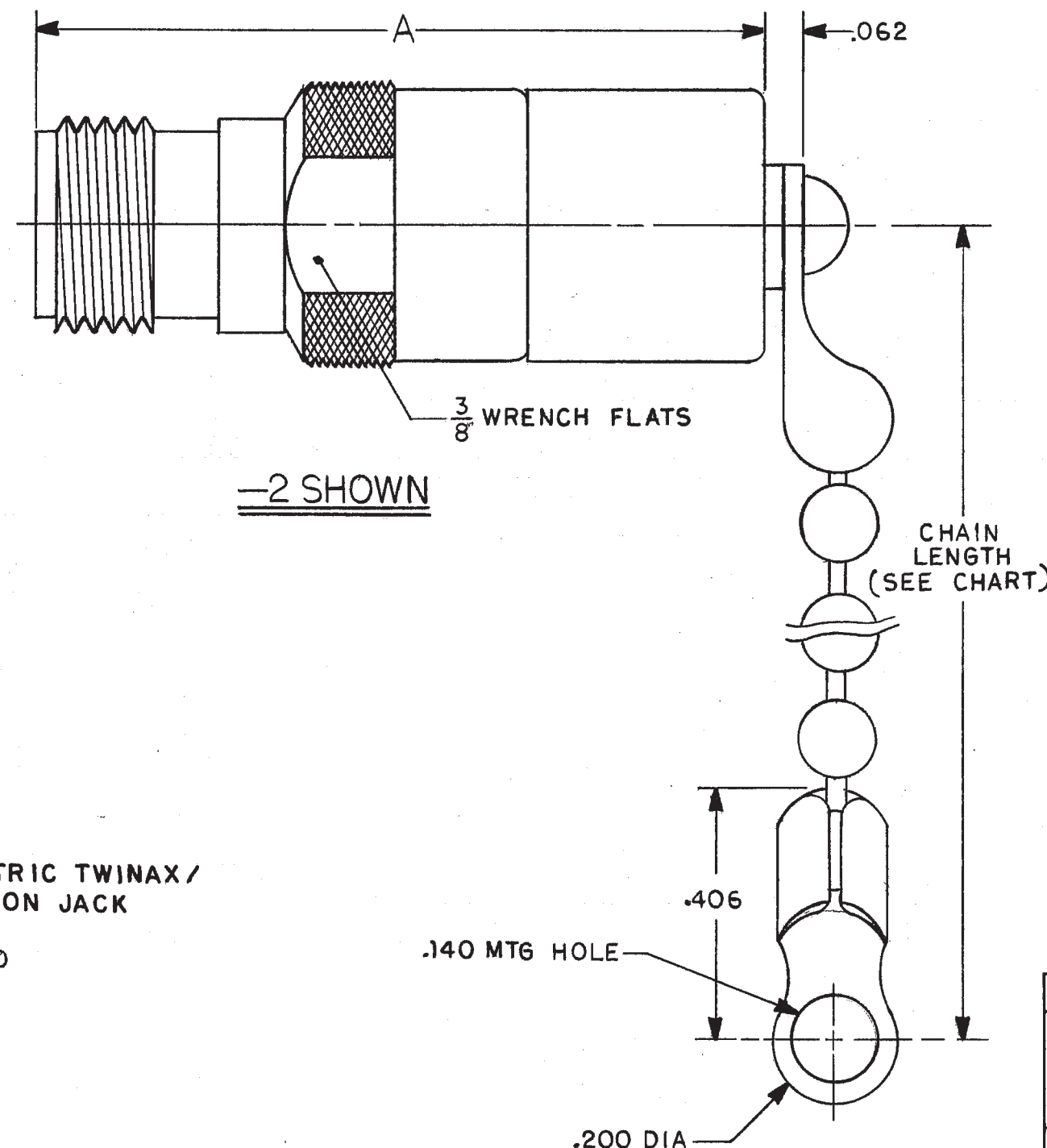
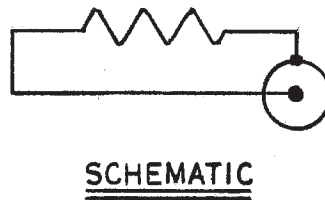


DASH NO	MODEL NO	CHAIN LG		DIM A
		BRASS	NYLON	
-1	TNTMF1-1- $\triangle$			1.131
-2	TNTMF1-2- $\triangle$	2.500		1.193
-3	TNTMF1-3- $\triangle$		2.50	
-4	TNTMF1-4- $\triangle$	3.00		
-5	TNTMF1-5- $\triangle$		3.00	
-6	TNTMF1-6- $\triangle$	6.00		
-7	TNTMF1-7- $\triangle$		6.00	

INCH	MM
.062	1.58
.447	11.34
1.131	28.73
1.193	30.30
2.50	63.50
3.00	76.20
6.00	152.40

DATA CONTAINED IN THIS DOCUMENT IS PROPRIETARY TO TROMPETER ELECTRONICS INC. AND SHALL NOT BE DISCLOSED, COPIED OR USED FOR PROCUREMENT OR MANUFACTURE WITHOUT EXPRESS WRITTEN PERMISSION.

REVISIONS			3000-0241		SH 1
REV	EO	DESCRIPTION	DWN	APPROVED	DATE



4. FEMALE SUBMINIATURE CONCENTRIC TWINAX / TRIAX TTM SERIES, TERMINATION JACK

3. EXAMPLE OF COMPLETE PART NO  
3000-0241-X-XX  
DASH NO  $\triangle$

$\triangle$  RESISTANCE VALUE IN OHMS  
1/8W, 2%

1. ALL DIM ARE REF IN INCHES

QTY	DESCRIPTION		PART NUMBER	ITEM
TOL UNLESS SPECIFIED		<b>TROMPETER</b> RF connectivity <small>a cinch connectivity solutions brand</small>	TNTMF1	
.XX ±	.XXX ±			
.XXXX ±	ANGLES ±			
DWN	ML	8-28-85	MATERIAL	CODE IDENT
CHK	RA	11-19-85		14949
ENGR	THJ	12-2-85		DRAWING NO. 3000-0241
APPR	TH	12-4-85	SCALE 4/1	DATE 12-4-85
NEXT ASSY		SHEET 1 OF 2		REV