

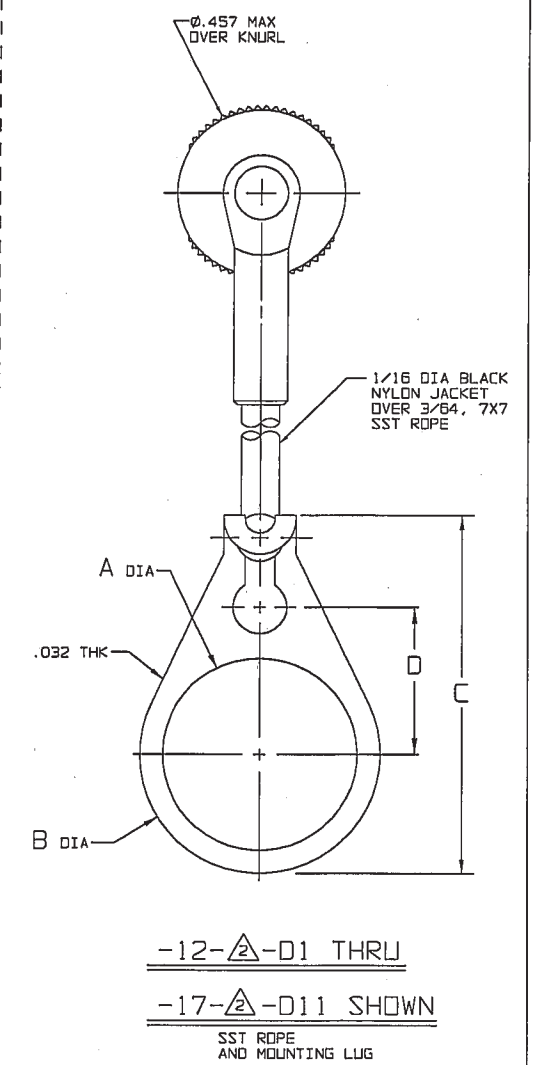
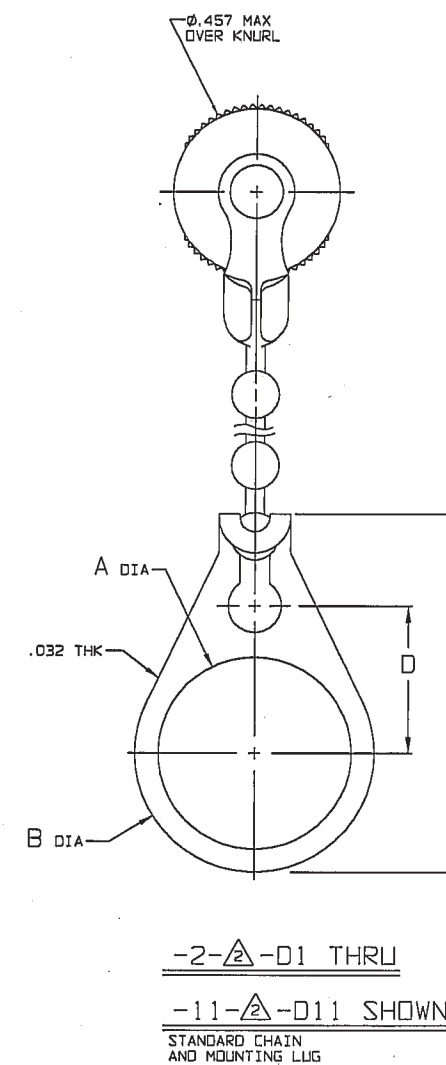
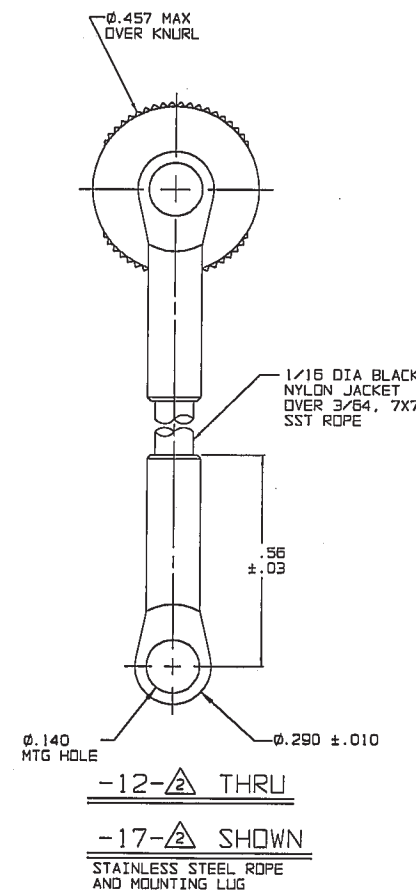
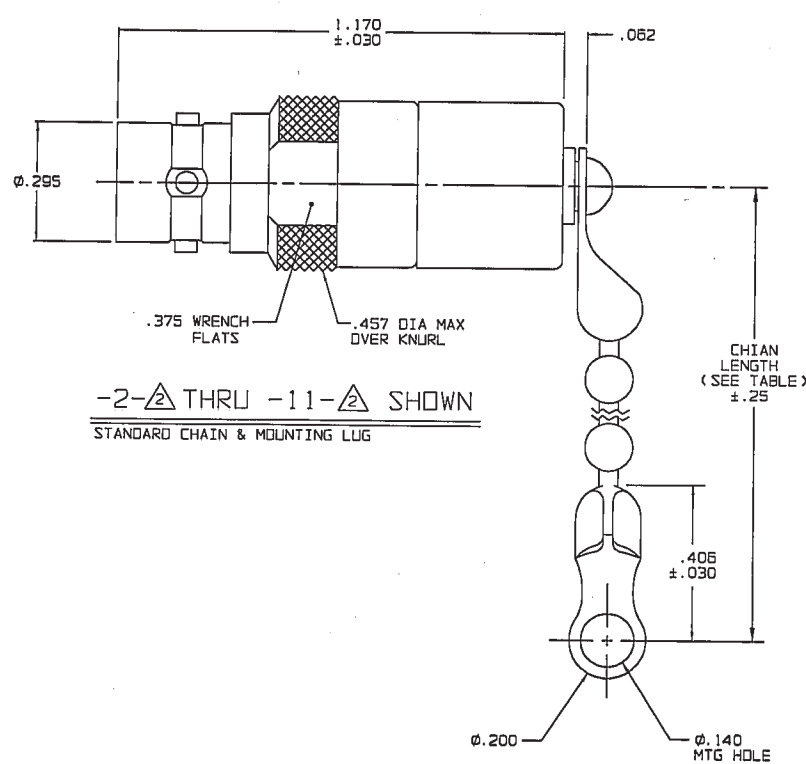
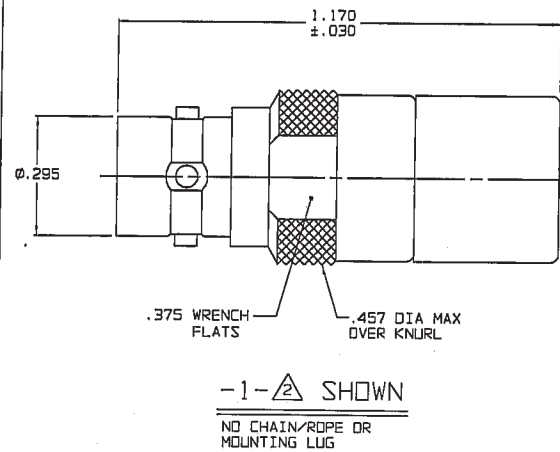
| DASH NO | TABLE 1 |
|---------|----------------------------|
| -1 | TERM (NO CHAIN) |
| -2 | TERM WITH 2.5 BRASS CHAIN |
| -3 | TERM WITH 2.5 NYLON CHAIN |
| -4 | TERM WITH 3.0 BRASS CHAIN |
| -5 | TERM WITH 3.0 NYLON CHAIN |
| -6 | TERM WITH 6.0 BRASS CHAIN |
| -7 | TERM WITH 6.0 NYLON CHAIN |
| -8 | TERM WITH 4.0 BRASS CHAIN |
| -9 | TERM WITH 4.0 NYLON CHAIN |
| -10 | TERM WITH 10.0 BRASS CHAIN |
| -11 | TERM WITH 10.0 NYLON CHAIN |
| -12 | TERM WITH 2.5 SST ROPE |
| -13 | TERM WITH 3.0 SST ROPE |
| -14 | TERM WITH 6.0 SST ROPE |
| -15 | TERM WITH 4.0 SST ROPE |
| -16 | TERM WITH 7.0 SST ROPE |
| -17 | TERM WITH 4.5 SST ROPE |

| DASH NO | "A" DIA | "B" DIA | "C" DIM | "D" DIM |
|---------|---------|---------|---------|---------|
| -D1 | 0.755 | 0.875 | 1.191 | 0.513 |
| -D2 | 0.630 | 0.750 | 1.066 | 0.450 |
| -D3 | 0.505 | 0.625 | 0.941 | 0.388 |
| -D4 | 0.439 | 0.562 | 0.878 | 0.356 |
| -D5 | 0.380 | 0.500 | 0.816 | 0.325 |
| -D6 | 0.317 | 0.437 | 0.753 | 0.294 |
| -D7 | 0.281 | 0.406 | 0.722 | 0.278 |
| -D8 | 0.610 | 0.750 | 1.066 | 0.450 |
| -DD8 | 0.330 | 0.450 | 0.766 | 0.300 |
| -D9 | 0.567 | 0.687 | 1.003 | 0.419 |
| -D10 | 0.192 | 0.312 | 0.628 | 0.231 |
| -D11 | 1.005 | 1.125 | 1.441 | 0.638 |

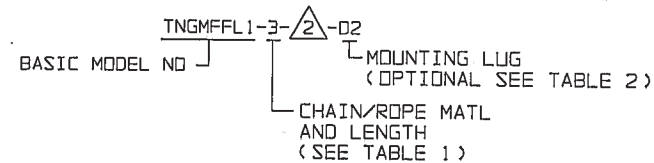
DATA CONTAINED IN THIS DOCUMENT IS PROPRIETARY TO TROMPETER ELECTRONICS, INC. AND SHALL NOT BE DISCLOSED, COPIED OR USED FOR PROCUREMENT OR MANUFACTURE WITHOUT EXPRESS WRITTEN PERMISSION OF TROMPETER ELECTRONICS, INC.

| REVISIONS | | 3-0240 | SH 1 |
|-----------|-----------------------|---------|----------|
| REV | DESCRIPTION | DATE | APPROVED |
| E | REVISED PER ECO 14546 | 5-21-02 | RAM |

RED INDICATES ORIGINAL



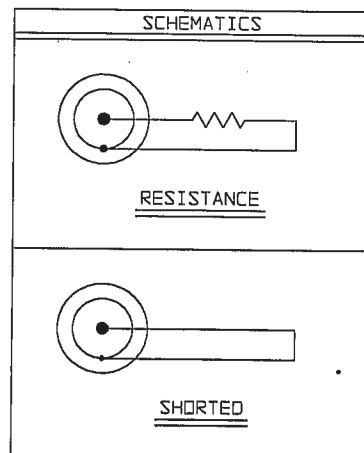
4. EXAMPLE OF COMPLETE MODEL NO:



3. SUBMINIATURE 4-LUG CONCENTRIC TWIAX/TRIAX TERMINATION JACK WITH OR WITHOUT CHAIN/ROPE AND MTG LUG OPTION

△ STANDARD RESISTANCE VALUE IN OHMS 1/8W, 1%
 "S" = CONTACT SHORTED TO INNER SHIELD (NO RESISTOR)
 "O" = LOOSELY ASSEMBLED (NO RESISTOR)

1. FINISH: TFS-1A (NICKEL)



| | | | |
|--|-----------------|---|---|
| INTERPRET DRAWING PER MIL-STD-100 DIMENSIONS ARE IN INCHES AND INCLUDE FINISH THICKNESS UNLESS OTHERWISE SPECIFIED | | TOL: UNLESS SPECIFIED .XX .XXX .XXXX ANGLES | |
| DRAWN AAH | DATE 5-17-02 | MATERIAL: | TITLE: TNGMFFL1 |
| CHECKED JLM | 5-20-02 | FINISH: | SIZE CAGE CODE DRAWING NO. REV. B 14949 3-0240 E |
| QUALITY // | 5-21-02 | DO NOT SCALE DWG | SCALE DATE: SHEET 3/1 2/18/85 1C |
| APPROVED RAM | 5/20/02 | | |
| CAD FILE NO 3-0240E1 | | | |