

THE INFORMATION CONTAINED HEREON IS THE PROPERTY OF EMERSON NETWORK POWER, RECEIPT, POSSESSION OR TRANSMITTAL OF THIS DRAWING DOES NOT LICENSE OR IMPLY ANY RIGHT TO USE, SELL, PROTOTYPE OR MANUFACTURE FROM THIS INFORMATION. NO REPRODUCTIONS OR PUBLICATION OF THIS INFORMATION, IN WHOLE OR IN PART, SHALL BE MADE WITHOUT WRITTEN AUTHORIZATION FROM EMERSON NETWORK POWER.

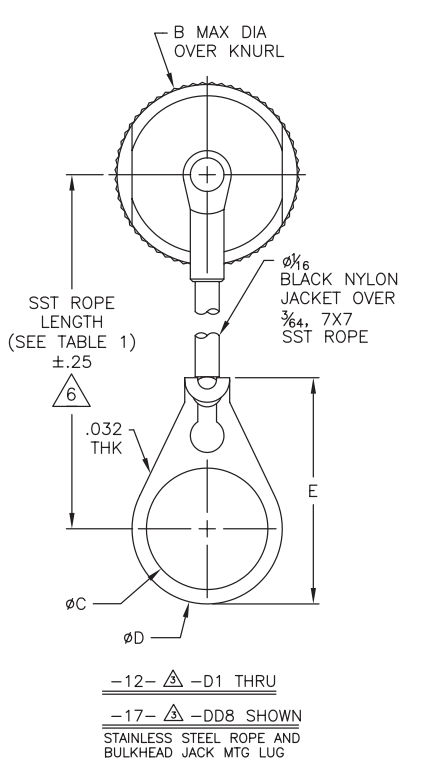
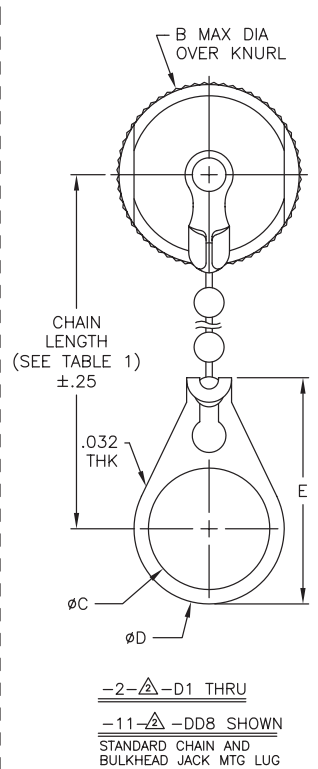
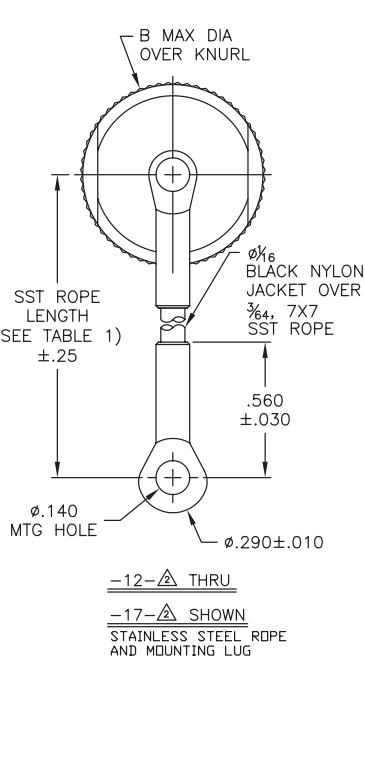
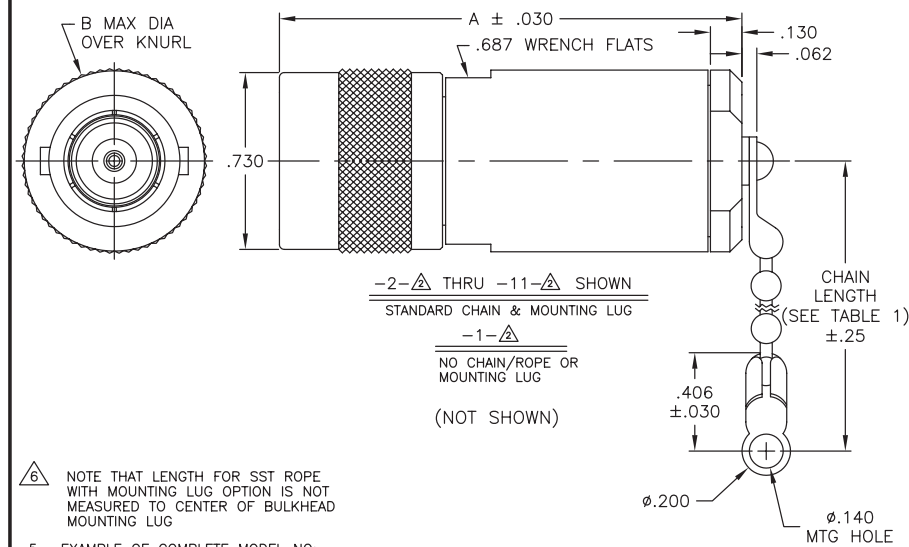
DWG NO. 305-0150 SH 1

DASH NO	DESCRIPTION	DASH NO	DESCRIPTION
-1	CAP (NO CHAIN)	-10	CAP WITH 10.00 BRASS CHAIN
-2	CAP WITH 2.50 BRASS CHAIN	-11	CAP WITH 10.00 NYLON CHAIN
-3	CAP WITH 2.50 NYLON CHAIN	-12	CAP WITH 2.50 SST ROPE
-4	CAP WITH 3.00 BRASS CHAIN	-13	CAP WITH 3.00 SST ROPE
-5	CAP WITH 3.00 NYLON CHAIN	-14	CAP WITH 6.00 SST ROPE
-6	CAP WITH 6.00 BRASS CHAIN	-15	CAP WITH 4.00 SST ROPE
-7	CAP WITH 6.00 NYLON CHAIN	-16	CAP WITH 7.00 SST ROPE
-8	CAP WITH 4.00 BRASS CHAIN	-17	CAP WITH 4.50 SST ROPE
-9	CAP WITH 4.00 NYLON CHAIN		

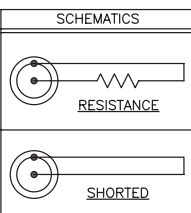
DASH NO	"C" DIA	"D" DIA	"E" DIM	"F" DIM
-D1	.755	.875	1.191	.513
-D2	.630	.750	1.066	.450
-D3	.505	.625	.941	.388
-D4	.439	.562	.878	.355
-D5	.380	.500	.816	.325
-D6	.317	.437	.753	.295
-D7	.281	.406	.722	.278
-D8	.610	.750	1.066	.450
-D9	.567	.687	1.003	.419
-D10	.192	.312	.787	.628
-D11	1.005	1.125	1.441	6.38
-DD8	.330	.450	.766	.300

MODEL NO	LTR CODE	TYPE	A DIM	B DIA
TNGL1		2-LUG	1.903	.758
TNGL3L1	A	3-LUG		
TNTL1	B	THREADED	1.910	.827

REV	DESCRIPTION	DATE	APPROVED
M	ECD 52370	5/18/10	T.KOHLER



- 6. NOTE THAT LENGTH FOR SST ROPE WITH MOUNTING LUG OPTION IS NOT MEASURED TO CENTER OF BULKHEAD MOUNTING LUG
- 5. EXAMPLE OF COMPLETE MODEL NO:
 TNGL1 - 2 - 2 - D1
 MODEL NO DASH NO (SEE TABLE 1) BULKHEAD JACK MOUNTAIN LUG (OPTIONAL) SEE TABLE 3
- 4. CONCENTRIC TWIAX/TRIAX "C" TYPE 2, 3-LUG AND THREADED TERMINATED PLUG
- 3. FINISH: TFS-1A (NICKEL)
- 2. RESISTANCE VALUE IN OHMS, 1/2W, 1%, "S" = SOCKET CONTACT SHORTED TO INNER SHIELD (NO RESISTOR)
- 1. ALL DIM ARE IN INCHES



SURFACE AREA (IN ²)	UNLESS OTHERWISE SPECIFIED DIMENSIONS ARE IN INCHES TOLERANCES ARE: FRACTIONS DECIMALS ANGLES ± .xx ± .01 ± 2° .xxx ± .005 .xxxx ± .001
SIGNATURES	DATE
MATERIAL	DRAWN BY RL 6/13/01
FINISH 3	CHECKED BY
DO NOT SCALE DRAWING	APPROVED BY

TNGL1/TNGL3L1/
TNTL1

SIZE B	CAGE CODE 14949	DWG NO. 305-0150	REV M
SCALE N/A	DATE 3/11/81	SHEET 1 OF 2	