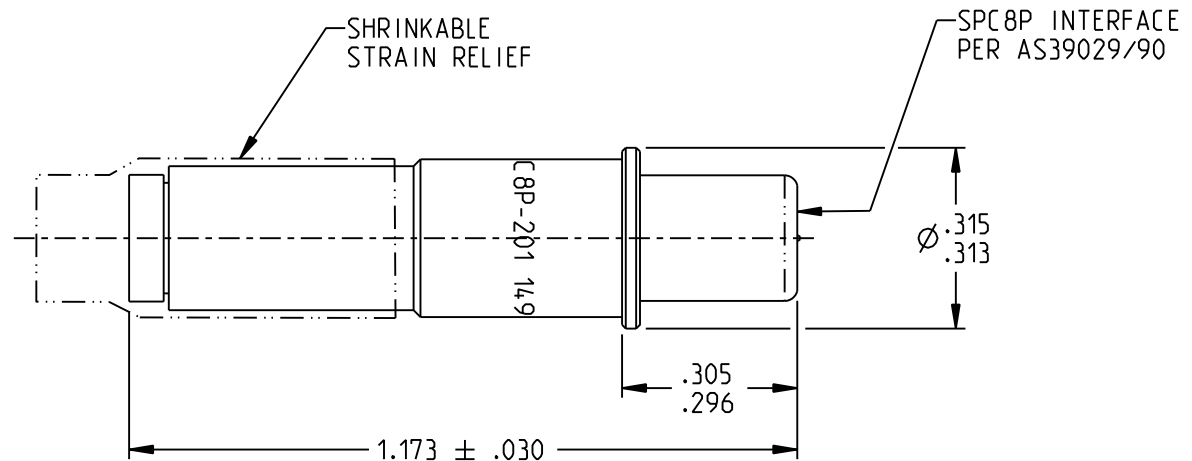
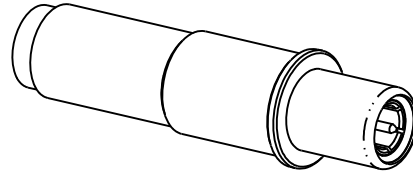


MODEL NO.	CABLE ACCOMMODATED	ASSEMBLE PER
SPC8P-201	M17/176-00002	TAI-132
SPC8P-202	TWC-78-1	
SPC8P-203	TWCX-124-1A	
SPC8P-204	10602, 10602 RAYCHEM	
SPC8P-205	TWAC-78-1F2	
SPC8P-208	2023927, MICRODOT	
SPC8P-217	M27500-22RC2S06	
SPC8P-218	EPD221888, RAYCHEM	
SPC8P-221	10614, RAYCHEM 05A4077-1, NORTHROP GC875TM24H, GRUMMAN	
SPC8P-222	10613, RAYCHEM	
SPC8P-223	HMS2-1149, HUGHES	
SPC8P-301	GC875GC1, GRUMMAN	
SPC8P-302	GC875GB1, GRUMMAN	
SPC8P-303	7528A5314, RAYCHEM	



NOTES: UNLESS OTHERWISE SPECIFIED

1. MATERIAL & FINISH:
 - 1.1 BODY & CRIMP BUSHING: GOLD PLATED BRASS
 - 1.2 INSULATORS & DIELECTRICS: PTFE
 - 1.3 INTERMEDIATE CONTACT: GOLD PLATED BERYLLIUM COPPER
 - 1.4 CONTACT: GOLD PLATED BRASS
2. ELECTRICAL:
 - 2.1 IMPEDANCE: NON-CONSTANT
 - 2.2 FREQUENCY (MAX): 500 MHZ
3. DESIGNED TO AS39029/90

 <small>NOTICE: The information in this drawing is PROPRIETARY and must not be used without the permission of Cinch Connectivity Solutions. It may contain data whose export is restricted. Verify status prior to exporting.</small> <small>INTERPRET DRAWING IN ACCORDANCE WITH ASME Y14.5-2018</small>	<small>3RD ANGLE PROJECTION</small> 	<h2>TROMPETER</h2>	
	RoHS2 <input checked="" type="checkbox"/> <small>2015/863/EU</small>	Title: SIZE 8 CONTACT, TWINAX, SOCKET CENTER CONTACT	
<small>UNLESS OTHERWISE SPECIFIED UNITS: INCH</small>		Model No. SPC8P-XXX	
<small>.XX ±.02 .XXX ±.010 ANGLES ±1°</small>	Size A	<small>DO NOT SCALE DRAWING</small>	Date: 4/20/2022 Sheet 1 OF 1