

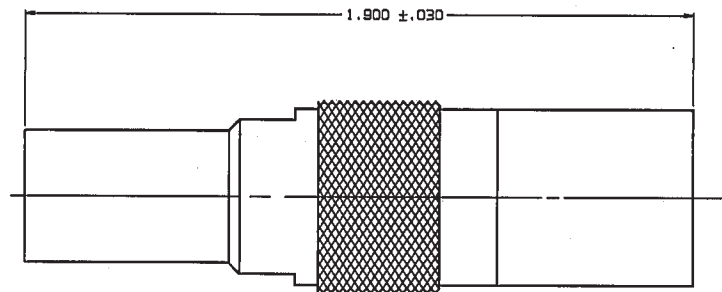
RED INDICATES ORIGINAL

DWG SIZE	DATA CONTAINED IN THIS DOCUMENT IS PROPRIETARY TO TROMPETER ELECTRONICS, INC. AND SHALL NOT BE DISCLOSED, COPIED OR USED FOR PROCUREMENT OR MANUFACTURE WITHOUT EXPRESS WRITTEN PERMISSION.			REVISIONS		305-0010	SH 1
B	REV	ECO	DESCRIPTION	DWN	APPROVED	DATE	
	C	10847	ADDED "SS ROPE" AND "D LUG" OPTIONS; REDRAWN; GENERAL UPDATE AND REDRAWN; SEE ECO	DKC	<i>Bm, FR</i>	7/29/94	

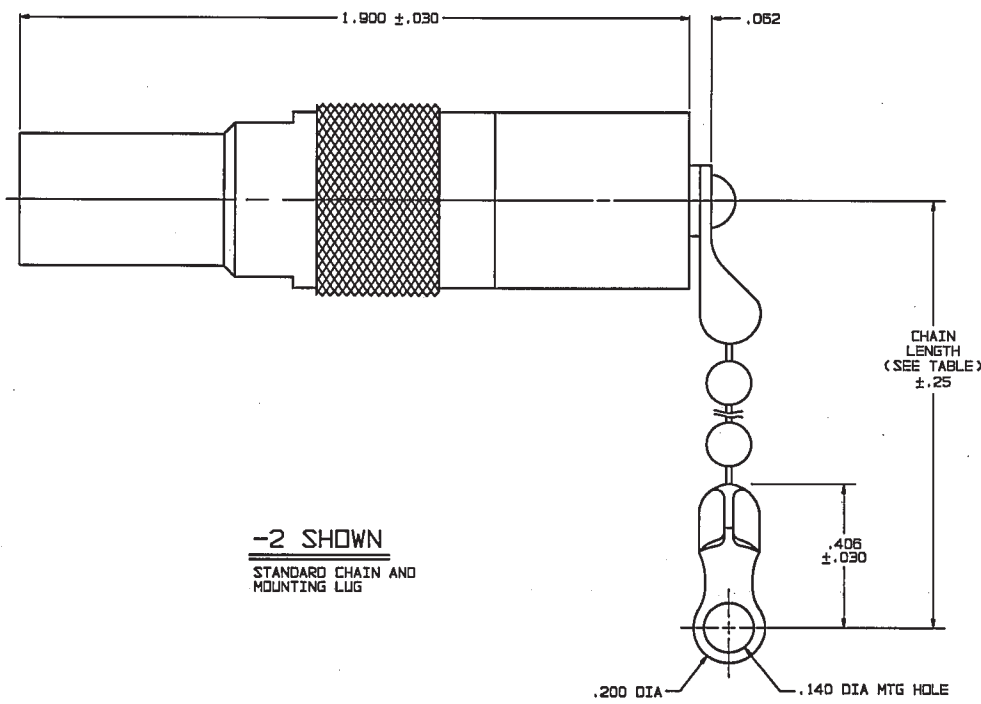
DASH NO	DESCRIPTION
-1	CAP NO (CHAIN)
-2	CAP WITH 2.5 BRASS CHAIN
-3	CAP WITH 2.5 NYLON CHAIN
-4	CAP WITH 3.0 BRASS CHAIN
-5	CAP WITH 3.0 NYLON CHAIN
-6	CAP WITH 6.0 BRASS CHAIN
-7	CAP WITH 6.0 NYLON CHAIN
-8	CAP WITH 4.0 BRASS CHAIN
-9	CAP WITH 4.0 NYLON CHAIN
-10	CAP WITH 10.0 BRASS CHAIN
-11	CAP WITH 10.0 NYLON CHAIN
-12	CAP WITH 2.5 JACKETED STAINLESS STEEL ROPE
-13	CAP WITH 3.0 JACKETED STAINLESS STEEL ROPE
-14	CAP WITH 6.0 JACKETED STAINLESS STEEL ROPE

DASH NO	"A" DIA	"B" DIA	"C" DIM
-02	.630	.750	1.066
-03	.505	.625	.841
-04	.439	.562	.678
-05	.380	.500	.616
-08	.610	.750	1.066

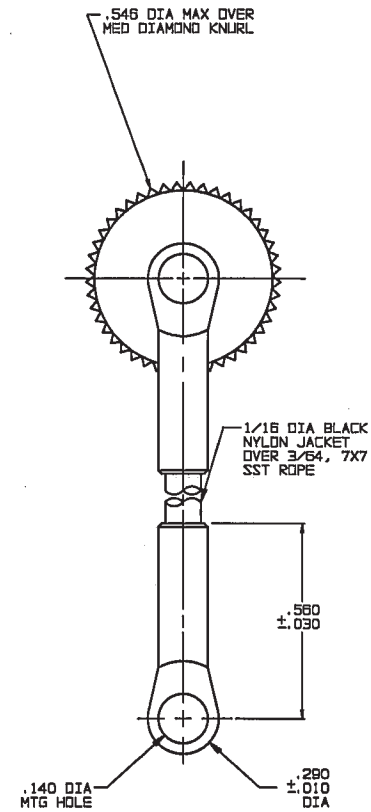
INCH	MM	INCH	MM	INCH	MM
.005	0.13	.439	11.15	.816	20.73
.010	0.25	.500	12.70	.878	22.30
.030	0.76	.505	12.83	.841	21.30
.032	0.81	.546	13.87	1.066	27.08
.062	1.58	.580	14.72	1.900	48.26
.140	3.56	.562	14.28	2.5	63.50
.200	5.08	.610	15.49	3.0	76.20
.25	6.35	.625	15.88	4.0	101.60
.290	7.37	.630	16.00	6.0	152.40
.380	9.65	.750	19.05	10.0	254.00
.406	10.31				



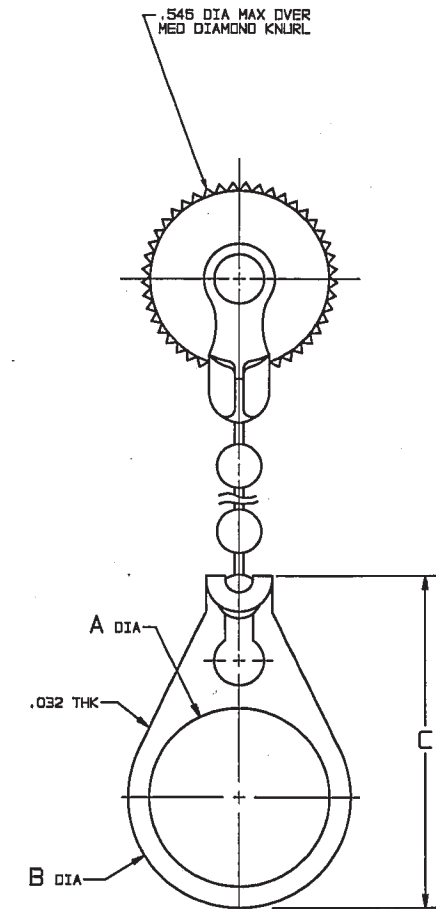
-1 SHOWN
NO CHAIN OR MTG LUG



-2 SHOWN
STANDARD CHAIN AND MOUNTING LUG



-12 THRU
-14 SHOWN
STAINLESS STEEL ROPE AND MOUNTING LUG



-2-02 THRU
-11-08 SHOWN
STANDARD CHAIN AND BULKHEAD JACK MOUNTING LUG

4. EXAMPLE OF COMPLETE MODEL NO:
RF170-2-02
- BASIC MODEL NO [] BULKHEAD JACK MOUNTING LUG (OPTIONAL), ONLY AVAILABLE WITH BRASS OR NYLON CHAIN (SEE TABLE 2)
- CHAIN MATERIAL AND LENGTH (SEE TABLE 1)
3. TERMINATION RFI CAP FOR TWINAX/TRIAX PATCH JACK
2. FINISH: TFS-1A (NICKEL)
1. ALL DIM ARE IN INCHES

QTY	DESCRIPTION	PART NUMBER	ITEM
TOL. UNLESS SPECIFIED			
.XX ± .005			
.XXX ± .005			
ANGLES			
DWN DKC 7-27-94	MATERIAL	DATE IDENT	DRAWING NO.
CHK Bm 7-29-94		14949	305-0010
ENGR			REV C
APPR FR 7/29/94	SCALE 4/1	DATE 12-3-88	SHEET 1 OF 2