

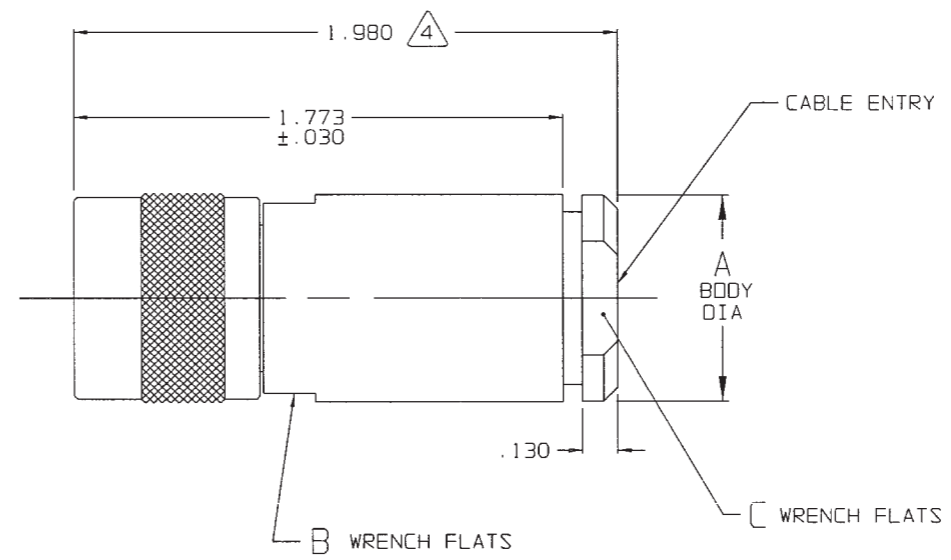
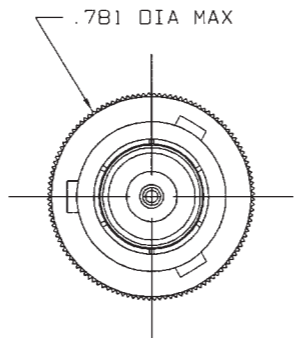
DATA CONTAINED IN THIS DOCUMENT IS PROPRIETARY TO TROMPETER ELECTRONICS INC. AND SHALL NOT BE DISCLOSED, COPIED OR USED FOR PRODUCTION OR MANUFACTURE WITHOUT EXPRESS WRITTEN PERMISSION OF TROMPETER ELECTRONICS INC.

**REVISIONS**

3-0106 SH 1

REV	DESCRIPTION	DATE	APPROVED
J	REVISED PER ECO 15107	7/1/03	<i>[Signature]</i>

DASH NO	CABLES ACCOMMODATED	A DIA	B FLATS	C FLATS	ASSEMBLE PER
-7	TRC-50-2/TRC-75-2	.750	.687	.625	TAI-175
-8	8227, BELDEN				TAI-116
-9	TWC-78-2, RG-108, TWC-124-2				TAI-131
-10	754E, W.E.CO., RG-22				TAI-175
-11	760A, W.E.CO.				TAI-116
-12	16PEVL, W.E.CO.				TAI-175
-13	TRF-59, TIMES				TAI-124
-13A	8232, BELDEN	.750	.687	.625	TAI-175
-14	21-529, ESSEX 8233, BELDEN				TAI-116
-14A	TRC-50-4A				TAI-175
-15	21-583, ESSEX				TAI-116
-16	21-950, ESSEX				TAI-175
-26	275-3962, MICRODOT				TAI-116
-29	TWC-124-1A				TAI-175
-32	TRC-50-1	.750	.687	.625	TAI-124
-33	TRC-75-1				TAI-175
-42	21-204, ESSEX				TAI-116
-46	9860, BELDEN				TAI-175
-47	M17/176-00002				TAI-116
-54	89207, BELDEN				TAI-175
-61	5012W5812, RAYCHEM				.990
-62	7518A0811, RAYCHEM				



-9 SHOWN

RED INDICATES ORIGINAL

5. 3-LUG CONCENTRIC TWINAX/TRIAX "C" STYLE CABLE PLUG W/SOCKET CENTER CONTACT

4 DIM IS MAX WHEN ASSEMBLED TO CABLE

3. INTERFACE: TCS-PL80

2. FINISH: TFS-1A (NICKEL)

1. ALL DIM ARE IN INCHES

<small>INTERPRET DRAWING PER MIL-STD-100 DIMENSIONS ARE IN INCHES AND INCLUDE FINISH THICKNESS UNLESS OTHERWISE SPECIFIED</small>		<small>TOL. UNLESS SPECIFIED .XX .XXX ±.005 .XXXX ANGLES</small>			
<small>DRAWN</small> AAH	<small>DATE</small> 6-30-03	<small>MATERIAL:</small>	<small>ANGLE:</small>		
<small>CHECKED</small> [Signature]	<small>DATE</small> 6/30/03	<small>FINISH:</small>	<small>SCALE</small> NONE	<small>SIZE</small> B	<small>CAGE CODE</small> 14949
<small>QUALITY</small> [Signature]	<small>DATE</small> 7/1/03	<small>SCALE</small> NONE	<small>DATE</small> 6-28-84	<small>DRAWING NO.</small> 3-0106	<small>REV.</small> J
<small>HAND</small> [Signature]	<small>DATE</small> 7/1/03	<small>SCALE</small> NONE	<small>DATE</small> 6-28-84	<small>DRAWING NO.</small> 3-0106	<small>REV.</small> J
<small>APPROVED</small> [Signature]	<small>DATE</small> 7/1/03	<small>SCALE</small> NONE	<small>DATE</small> 6-28-84	<small>DRAWING NO.</small> 3-0106	<small>REV.</small> J
<small>CAO FILE NO</small> 3-0106J	<small>DO NOT SCALE DWG</small>	<small>SCALE</small> NONE	<small>DATE</small> 6-28-84	<small>DRAWING NO.</small> 3-0106	<small>REV.</small> J
<small>NEXT ASSY</small>	<small>DO NOT SCALE DWG</small>	<small>SCALE</small> NONE	<small>DATE</small> 6-28-84	<small>DRAWING NO.</small> 3-0106	<small>REV.</small> J
<small>SCALE</small> NONE	<small>DATE</small> 6-28-84	<small>SCALE</small> NONE	<small>DATE</small> 6-28-84	<small>DRAWING NO.</small> 3-0106	<small>REV.</small> J
<small>SHEET</small> 1C	<small>DATE</small> 6-28-84	<small>SCALE</small> NONE	<small>DATE</small> 6-28-84	<small>DRAWING NO.</small> 3-0106	<small>REV.</small> J