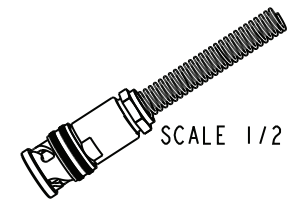
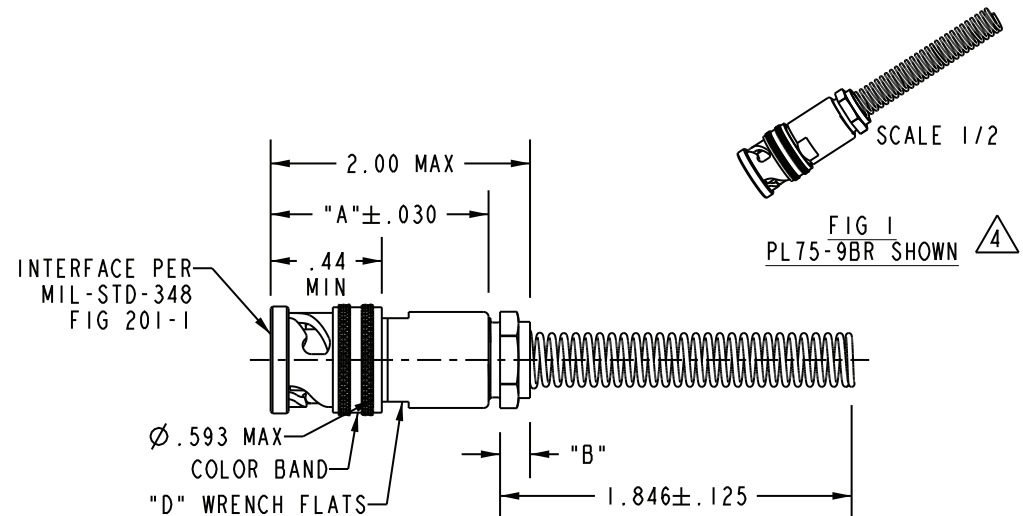
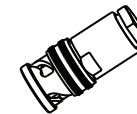
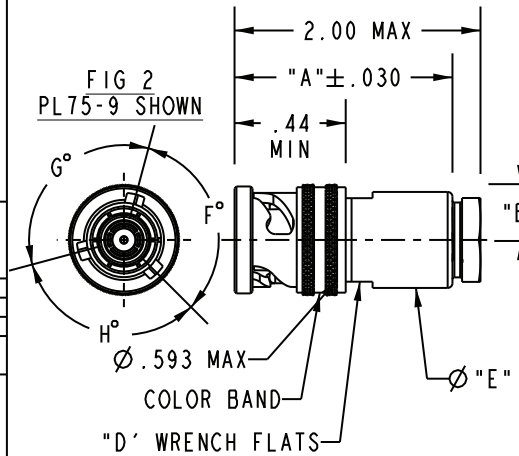


TABLE 1									
DASH NO	CABLES ACCOMMODATED	A DIM	B DIM	C FLATS	D FLATS	E DIA	CABLE ENTRY DIA	ASSEMBLE PER	CABLE TYPE
-7	TRC-50-2, MI77134-00001 TRC-75-2	1.135	.096	.438	.438	.500	.274	TAI-189	TRIAx
-8	8227, BELDEN	1.716	.130	.625	.688	.750	.345	TAI-103	TWINAX
-9	TWC-78-2 TWC-124-2, MI7745-RG 308	1.135	.096	.438		.500	.285	TAI-102	
-A9	BL782, TIMES BL982, TIMES BL1242, TIMES	1.135	$\triangle 3$	$\triangle 3$.500		TAI-102	TWINAX
-10	RG-22 754E, AT&T	1.716					.455	TAI-103	TWINAX
-11	760A, AT&T						.345	TAI-103	
-12	16PEVL, AT&T VI-AL, GENERAL		.130	.625	.688	.750	.485	TAI-128	TWINAX
-13	TRF-59, TIMES						.362	TAI-129	
-13A	8232, BELDEN						.352	TAI-165	TRIAx
-14	8233, BELDEN						.510	TAI-129	
-23	250-3884, MICRODOT						.183	TAI-189	TWINAX
-24	202-3934, MICRODOT						.191	TAI-102	
-24A	9530A5117, RAYCHEM						.200	TAI-189	TRIAx
-25	T-43M, GENERAL						.285	TAI-102	TWINAX
-25A	5021H5331, RAYCHEM						.183	TAI-189	TRIAx
-26	7028A5518, RAYCHEM						.183	TAI-189	TRIAx
-27	119TPS12619EN, WOVEN 202-3927, MICRODOT 202-3942, MICRODOT						.145		TWINAX
-29	TWC-78-1/TWC-124-1A	1.135	.096	.438	.438	.500	.191	TAI-102	TWINAX
-30	761A, AT&T 8441, BELDEN						.235		TWINAX
-32	TRC-50-1						.191		
-33	TRC-75-1						.217		TRIAx
-42	21-204, ESSEX 4463, CONSOLIDATED						.300	TAI-189	
-43	250-4044/250-4045 293-3930, MICRODOT						.200		TWINAX
-45	M27500-22TE2T14 1100-66F, STANDARD						.183	TAI-102	
-46	9860, BELDEN	1.716	.130	.625	.688	.750	.475	TAI-103	TWINAX
-47	MI77176-00002	1.135	.096	.438	.438	.500	.164	TAI-102	
-49	TWC-78-1F2						.132		TWINAX
-54	89207, BELDEN	1.716	.130	.625	.688	.750	.323	TAI-103	
-55	89272, BELDEN						.250	TAI-102	TRIAx
-56	GC875GCI, GRUMMAN						.191	TAI-189	
-57	GC875GBI, GRUMMAN							TAI-102	QUADRAX
-58	GC875TM24H, GRUMMAN	1.135	.096	.438	.438	.500	.198	TAI-102	TRIAx
-59	GC875LNI, GRUMMAN							TAI-189	
-60	MI77177-00002, THERMATICS 380-10045, BOEING						.217	TAI-189	TRIAx
-64	7528A5314, RAYCHEM						.183		

DATA CONTAINED IN THIS DOCUMENT IS PROPRIETARY TO EMERSON CONNECTIVITY SOLUTIONS AND SHALL NOT BE DISCLOSED, COPIED OR USED FOR PROCUREMENT OR MANUFACTURE WITHOUT EXPRESS WRITTEN PERMISSION

REVISIONS			
REV	DESCRIPTIONS	DATE	APPROVED
BS	ECO 52461	6/18/10	C. MONAHAN

TABLE 3				
KEYING LETTER	F DEGREES	G DEGREES	H DEGREES	COLOR BAND
NONE	120°	120°	120°	NONE
T	100°	150°	110°	RED
U	120°	130°	110°	ORANGE
V	115°	130°	115°	YELLOW
W	125°	110°	125°	GREEN
X	130°	100°	130°	BLUE
Y	110°	140°	110°	VIOLET
Z	100°	160°	100°	GRAY
S	135°	135°	90°	WHITE




5. EXAMPLE OF COMPLETE MODEL NO:
 PL75 T -9 BR $\triangle 4$
 BASIC MODEL NO. ———— BEND RELIEF (OMIT IF NOT REQD)
 POLARIZATION LETTER ———— DASH NO (CABLE GROUP, SEE TABLE 1)
 NONE REQD FOR STD ———— POLARIZATION (SEE TABLE 3)

$\triangle 4$ IF BEND RELIEF SPRING REQUIRED (SEE FIG 1) ADD SUFFIX "BR" TO MODEL NUMBER (NOT AVAILABLE WITH CABLE GROUPS -8, -10, -11, -12, -13, -13A, -14, -46, & -54)

$\triangle 3$ CLAMP NUT OMITTED

2. CONCENTRIC TWINAX/TRIAx 3-LUG TRB CABLE PLUG

1. PLATING: 310-0002-XX PER TFS-1 OR -U FOR UNPLATED

INTERPRET DRAWING PER MIL-STD-100. DIMENSIONS ARE IN INCHES AND INCLUDE FINISH THICKNESS UNLESS OTHERWISE SPECIFIED.		TOL: UNLESS SPECIFIED. .XX ± .02 .XXX ± .010 ANGLE ± 1°		 Cinch Connectivity Solutions 299 Johnson Ave, Ste. 100 Waseca, MN 56093 1-800-247-8256	
DRW	M. JOHNSON	3-18-09	MATERIAL:	TITLE: PL75/T/U/V/W/ X/Y/Z/S/BR	
CHK	LM	4/1/09	FINISH:	SIZE	CAGE CODE
QUALITY				\triangle	14949
MANUF				DRAWING NO.	310-0002
APPROVED				REV.	BS
PROF TITLE NO.	310-0002	DO NOT SCALE DWG	SCALE	1/1	DATE
					1-12-66
					SHEET
					1 OF 2