

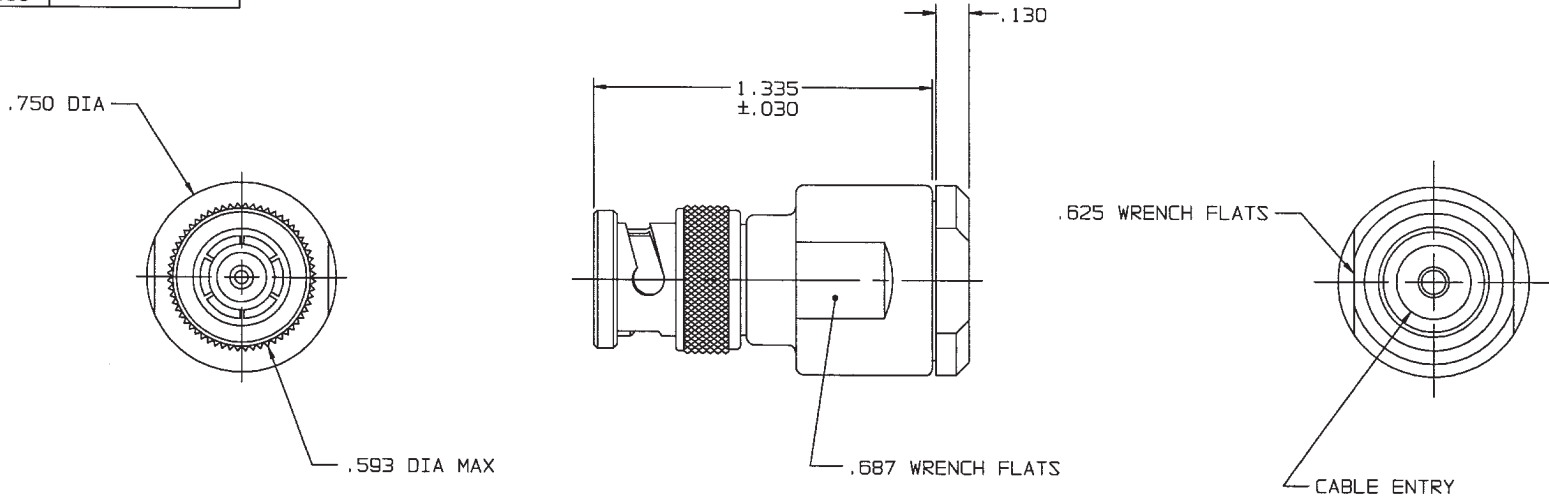
# RED INDICATES ORIGINAL

DATA CONTAINED IN THIS DOCUMENT IS PROPRIETARY TO TROMPETER ELECTRONICS INC. AND SHALL NOT BE DISCLOSED, COPIED OR USED FOR PROCUREMENT OR MANUFACTURE WITHOUT EXPRESS WRITTEN PERMISSION.

REVISIONS			105-1230	SH 1C	
REV	ED	DESCRIPTION	DWN	APPROVED	DATE
C	13145	ADDED -48; SEE ECD	DKC	<i>[Signature]</i>	11/22/99

DASH NO	CABLES ACCOMMODATED	ASSEMBLE PER
-6A	RG-8	SH 3
-6B	RG-9	
-U6A	RG-11	
-U6B	RG-13	
-48	BELDEN 9880	

INCH	MM
.005	0.13
.030	0.76
.130	3.30
.593	15.06
.625	15.88
.687	17.45
.750	19.05
1.335	33.91



-6A SHOWN

3. 50/75 OHM BNC TYPE COAXIAL CABLE PLUG
2. FINISH: TFS-1A (NICKEL)
1. ALL DIMENSIONS ARE IN INCHES

QTY	DESCRIPTION	PART NUMBER	ITEM
TOL UNLESS SPECIFIED .XX ± .XXX ±.005 .XXXX ±		PL20/-6A/-6B/-48 UPL20/-6A/-6B	
ANGLES ±			
DWN DKC	11-16-99	MATERIAL	CODE IDENT
CHK <i>[Signature]</i>	11-22-99		14949
ENGR <i>[Signature]</i>			DRAWING NO. 105-1230
			REV C
NEXT ASSY	APPR <i>[Signature]</i>	11-22-99	SCALE 2/1
			DATE 11-29-87
			SHEET 1C