

RED INDICATES ORIGINAL

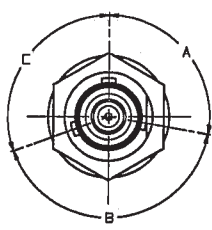
DATA CONTAINED IN THIS DOCUMENT IS PROPRIETARY TO TROMPETER ELECTRONICS INC. AND SHALL NOT BE DISCLOSED, COPIED OR USED FOR PROCUREMENT OR MANUFACTURE WITHOUT EXPRESS WRITTEN PERMISSION.

REV		ED		DESCRIPTION	DWN	APPROVED	DATE
AJ	11465	FOR CHANGES SEE ECD			AAH	<i>Bm: FOL</i>	1/19/96

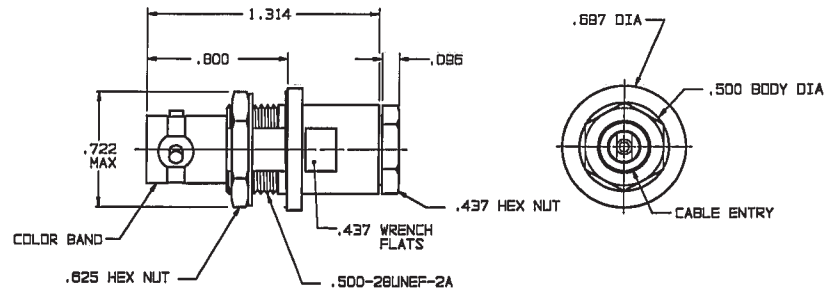
REVISIONS		3-0018	SH 1
-----------	--	--------	------

DASH NO	CABLES ACCOMMODATED	ASSEMBLE PER
-7	TRC-50-2/TRC-75-2	TAI-189
-9	TWC-78-2/TWC-124-2	TAI-102
-23	250-3884, MICRODOT	TAI-189
-24	202-3894, MICRODOT	TAI-102
-24A	8530A5117, RAYCHEM	TAI-189
-25	T-43M, GENERAL	TAI-102
-25A	5021H5331, RAYCHEM	TAI-189
-26	7028A5518, RAYCHEM	TAI-189
-27	202-3827, MICRODOT	TAI-102
-29	TWC-78-1/TWC-124-1A	TAI-102
-30	781A, W.E.CO./8441, BELDEN	TAI-102
-32	TRC-50-1	TAI-189
-33	TRC-75-1	TAI-189
-42	21-204, ESSEX 4463, CONSOLIDATED	TAI-189
-43	250-4044/250-4045 283-3830, MICRODOT	TAI-189
-45	M27500-22TE2T14 1100-66F, STANDARD	TAI-102
-47	M17/176-00002	TAI-102
-49	TWAC-78-1F2	TAI-102
-55	89272, BELDEN	TAI-189
-56	GC875GC1, GRUMMAN	TAI-189
-57	GC875GB1, GRUMMAN	TAI-189
-58	GC875TM24H, GRUMMAN	TAI-102
-59	GC875LN1, GRUMMAN	TAI-189
-60	M17/177, THERMATICS 380-10045, BOEING	TAI-189
-64	7528A5314, RAYCHEM	TAI-189

POLARIZATION CHART				
KEYING LETTER	A DEGREES	B DEGREES	C DEGREES	COLOR BAND
NONE	120°	120°	120°	NONE
T	100°	150°	110°	RED
U	120°	130°	110°	ORANGE
V	115°	130°	115°	YELLOW
W	125°	110°	125°	GREEN
X	130°	100°	130°	BLUE
Y	110°	140°	110°	VIOLET
Z	100°	160°	100°	GRAY
S	135°	135°	90°	WHITE

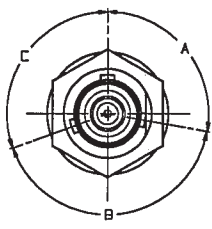


-7 SHOWN
FIG 1

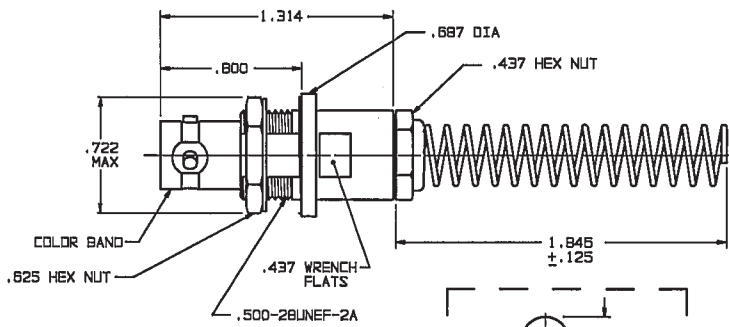


INCH	MM
.005	0.13
.096	2.44
.125	3.18
.132	3.35
.145	3.68
.160	4.06
.164	4.17
.183	4.65
.191	4.85
.198	5.03
.207	5.08
.217	5.51
.218	5.54
.221	5.61
.235	5.97
.250	6.35
.274	6.98
.285	7.24
.300	7.62
.437	11.10
.500	12.70
.505	12.83
.510	12.95
.625	15.88
.687	17.45
.722	18.34
.800	20.32
1.314	33.38
1.846	46.88

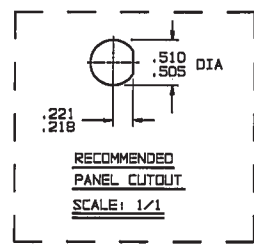
MILITARY PART NO (PIN)	MILITARY CABLE PART NO	TROMPETER PART NO (REF ONLY)
M49142/05-0001	M17/134-00001	M3-0018-7
M49142/05-0101	M17/134-00001	M3-0018Y-7
M49142/05-0201	M17/134-00001	M3-0018S-7
M49142/05-0002	M17/134-00002	M3-0018-7
M49142/05-0102	M17/134-00002	M3-0018Y-7
M49142/05-0202	M17/134-00002	M3-0018S-7
M49142/05-0007	M17/45-RG108	M3-0018-9
M49142/05-0107	M17/45-RG108	M3-0018Y-9
M49142/05-0207	M17/45-RG108	M3-0018S-9
M49142/05-0008	M17/176-00002	M3-0018-47
M49142/05-0108	M17/176-00002	M3-0018Y-47
M49142/05-0208	M17/176-00002	M3-0018S-47
M49142/05-0009	M17/177-00001	M3-0018-60
M49142/05-0109	M17/177-00001	M3-0018Y-60
M49142/05-0209	M17/177-00001	M3-0018S-60



-7 SHOWN
FIG 2



DASH NO	DIA	DASH NO	DIA
-7	.274	-33	.217
-9	.285	-42	.300
-23	.183	-43	.200
-24	.191	-45	.183
-24A	.200	-47	.164
-25	.265	-49	.132
-25A	.285	-55	.250
-26	.183	-56	
-27	.145	-57	.191
-29	.191	-58	
-30	.235	-59	.198
-32	.191	-60	.217



- △ WHEN CONNECTOR IS SUPPLIED TO MILITARY PART NO (SEE TABLE 2):
- a) ALL PARTS NORMALLY PLATED TFS-1A OR TFS-1U (NICKEL) ARE TO BE PLATED TFS-1M (SILVER)
 - b) MARK PART WITH MILITARY PIN (SEE TABLE 2) AND "14949"
 - c) QUALITY CONFORMANCE INSPECTION SHALL BE PER MIL-C-49142 SECTION 4.5
- △ IF BEND RELIEF SPRING REQD ADD SUFFIX "BR" TO MODEL NO (SEE FIG 2)
4. CONCENTRIC TWINAX/TRIAX TRB BULKHEAD MOUNT CABLE RECEPTACLE
 3. MAX PANEL THK .160
 2. FINISH: TFS-1A (NICKEL) △
 1. ALL DIM ARE IN INCHES

7. EXAMPLE OF COMPLETE MODEL NO:

BJ79 T-7 DASH NO

BASIC MODEL NO — POLARIZATION LETTER (SEE TABLE 3)

QTY	DESCRIPTION	PART NUMBER	ITEM			
305-0522	TOL UNLESS SPECIFIED	TROMPETER RF connectivity	BJ79/TWINAX XYZS/BR			
305-0521	.XX ± .005					
305-0458	.XXXX ± .005					
305-0404	ANGLE					
305-0575	DWN	AAH	1-13-86	MATERIAL CODE IDENT 14949	DRAWING NO. 3-0018	REV AJ
305-0534	CHK	<i>Bm</i>	<i>1-18-92</i>			
210-0003	ENGR					
	APPR	<i>FOL</i>	<i>1/19/96</i>			
NEXT ASSY		SCALE 2/1	DATE 4/13/87	SHEET 1 OF 2		