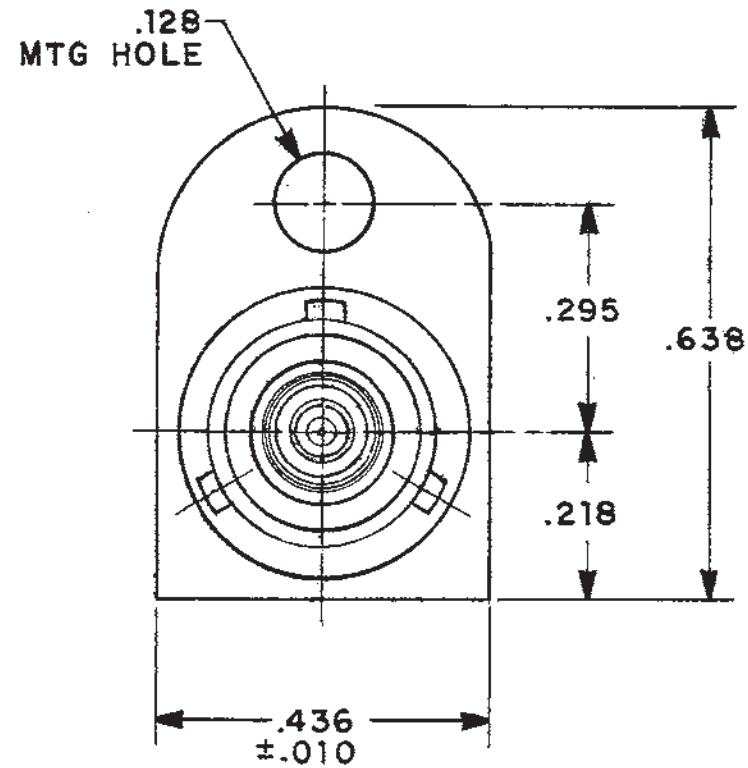


DASH NO	MODEL NO	JACK TYPE
-1	J152	3-LUG
-2	J152FL	4-LUG

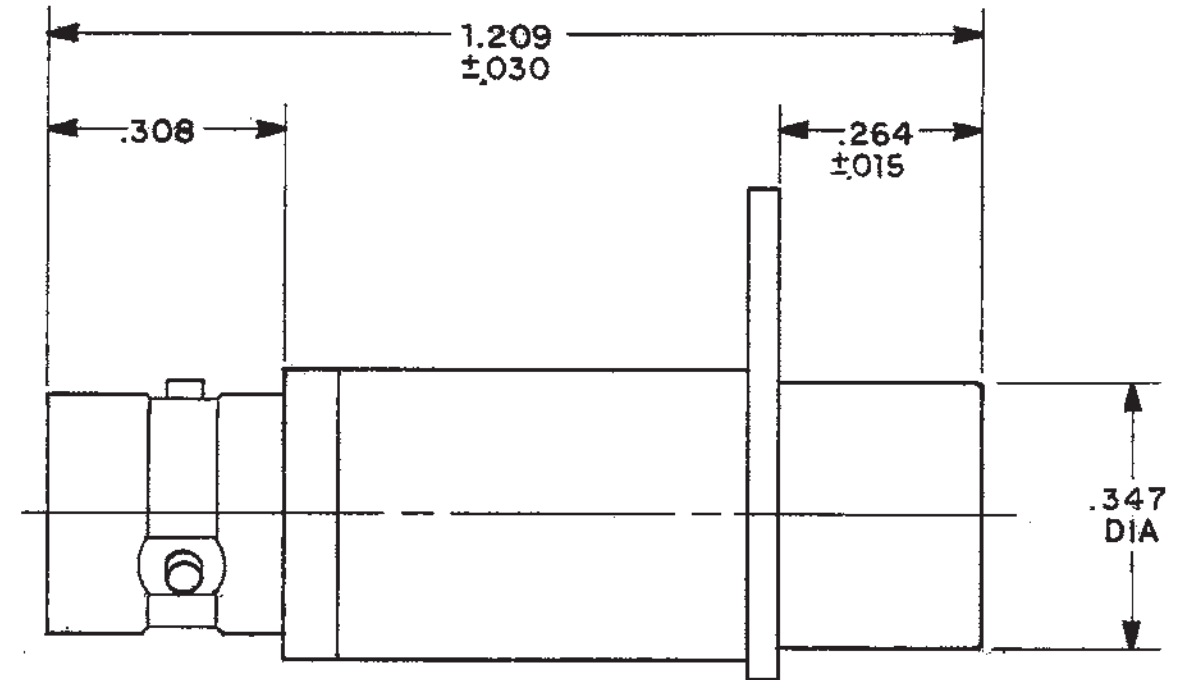
INCH	MM	INCH	MM
.005	0.13	.295	7.40
.010	0.25	.308	7.82
.015	0.38	.347	8.81
.030	0.76	.436	11.07
.128	3.25	.638	16.21
.218	5.54	1.209	30.71
.264	6.71		

DATA CONTAINED IN THIS DOCUMENT IS PROPRIETARY TO TROMPETER ELECTRONICS INC. AND SHALL NOT BE DISCLOSED, COPIED OR USED FOR PROCUREMENT OR MANUFACTURE WITHOUT EXPRESS WRITTEN PERMISSION.

REVISIONS			3-0033 SH 1		
REV	EO	DESCRIPTION	DWN	APPROVED	DATE
B	5850	REV & REDRWN	JEB	<i>EC</i>	6-1-83
C	7787	ADDED TOLS	FZ	<i>CHK</i>	9-28-87
D	8037	ADDED TOLS ±010; DWG NO WAS 3000-0033	FZ	<i>CHK</i>	4-12-88



-1 SHOWN



3. 3 & 4 LUG CONCENTRIC TWINAX / TRIAX TPS RECEPTACLE TO SUBMINIATURE CONCENTRIC TWINAX / TRIAX PATCH JACK
2. TFS-1A (NICKEL)
1. ALL DIM ARE IN INCHES

QTY	DESCRIPTION		PART NUMBER		ITEM	
	TOL UNLESS SPECIFIED .XX ± .XXX ±.005 .XXXX± ANGLES±				J152/J152FL	
	DWN JEB 4-22-83					MATERIAL
155-0472	CHK	EC 6-1-83	—	14949	3-0033	D
155-0475	ENGR	TH 6-1-83				
NEXT ASSY	APPR	AT 6-1-83	SCALE 4/1	DATE 6-27-77	SHEET 1 OF 2	