

RED INDICATES ORIGINAL

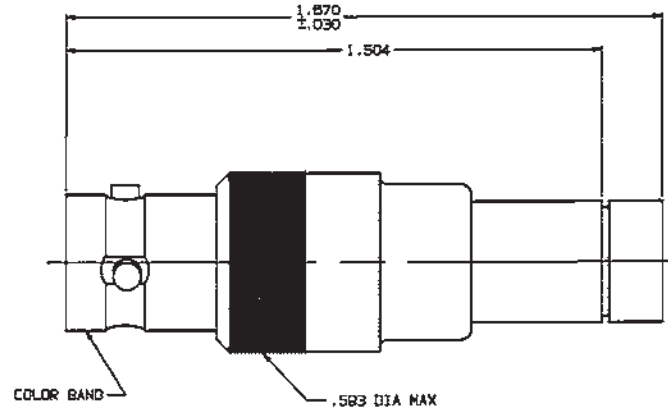
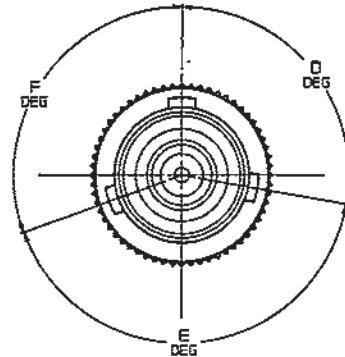
DASH NO	CABLES ACCOMMODATED	ASSEMBLE PER
-201	M17/176-00002	TAI-206
-202	TWC-7B-1	
-203	TWC-124-1A	
-204	10602, RAYCHEM	
-205	TWAC-7B-1F2	
-206	782600130, RAYCHEM	
-207	89310, BELDEN	
-208	202-3927, MICRODDT	
-209	202-3942, MICRODDT	
-210	B451, BELDEN	
-211	202-3934, MICRODDT	
-212	2524E0114, RAYCHEM	
-213	TWC-7B-2	
-214	TWC-124-2	
-215	BL882, TIMES	
-216	BL1242, TIMES	
-217	GC875TM24H, GRUMMAN	
-218	EDP221888, RAYCHEM	
-219	252601114, RAYCHEM	
-220	GC875RR1, GRUMMAN	
-221	10614, RAYCHEM	
-222	10613, RAYCHEM	
-223	HMS2-114B, HUGHES	
-224	TWEP-124-3	
-225	PS685PL, PRIME STOCK	

MILITARY PART NO (PIN)	MILITARY CABLE PART NO	TROMPETER PART NO (REF DLY)
M48142/08-0016	M17/45-RG108	MCJ70MC-213
M48142/08-0118	M17/45-RG108	MCJ70MCY-213
M48142/08-0218	M17/45-RG108	MCJ70MCS-213
M48142/08-0017	M17/176-00002	MCJ70MC-201
M48142/06-0117	M17/176-00002	MCJ70MCY-201
M48142/06-0217	M17/176-00002	MCJ70MCS-201

ENG SIZE C	DATA CONTAINED IN THIS DOCUMENT IS PROPRIETARY TO TROMPETER ELECTRONICS INC. AND SHALL NOT BE DISCLOSED, COPIED OR USED FOR REPRODUCTION OR MANUFACTURE WITHOUT EXPRESS WRITTEN PERMISSION.		REVISIONS		3-0298	SH 1
REV	EO	DESCRIPTION	OWN	APPROVED	DATE	
A		PRODUCTION RELEASE	TCS			

KEY LETTER	D DEGREES	E DEGREES	F DEGREES	COLOR BAND
NONE	120°	120°	120°	NONE
T	100°	150°	110°	RED
U	120°	130°	110°	ORANGE
V	115°	130°	115°	YELLOW
W	125°	110°	125°	GREEN
X	130°	100°	130°	BLUE
Y	110°	140°	110°	VIOLET
Z	100°	150°	100°	GRAY
S	135°	135°	90°	WHITE

INCH	MM
.005	0.13
.030	0.76
.593	15.06
1.504	38.20
1.870	42.42



- ⚠** WHEN CONNECTOR IS SUPPLIED TO MILITARY PART NO (SEE TABLE 2):
- ALL PARTS NORMALLY PLATED TFS-1A OR TFS-1U (NICKEL) ARE TO BE PLATED TFS-1M (SILVER)
 - MARK PART WITH MILITARY PIN (SEE TABLE 2) AND "14949"
 - QUALITY CONFORMANCE INSPECTION SHALL BE PER MIL-C-49142 SECTION 4.5
4. EXAMPLE OF COMPLETE MODEL NO:
 C J70MC I - 201
 BASIC MODEL NO ——— POLARIZATION LETTER ——— CABLE GROUP
 NONE REQD FOR STD DASH NO (SEE TABLE 1)
 POLARIZATION (SEE TABLE 3) (SEE TABLE 1)
- CONCENTRIC TWINAX 3-LUG TRB, MILITARY FULL CRIMP CABLE RECEPTACLE
 - FINISH: TFS-1A (NICKEL) **⚠**
 - ALL DIMENSIONS ARE IN INCHES



QTY	DESCRIPTION	PART NUMBER	ITEM
TOL UNLESS SPECIFIED 10K ± 100K ±.005 1000K ANGLES	TROMPETER RF connectivity	CJ70MC/TAI/ W/T/T/S	
OWN TCS 12/4/85	MATERIAL	CODE 1061	DRAWING NO.
CHK <i>Bm</i> 12/4/85	⚠	14948	3-0298
ENGR	SCALE 4/1	DATE 12/15/86	REV A
APPR <i>BT</i> 12/15/85			SHEET 1C