

DISK # H10	DWG SIZE C	DATA CONTAINED IN THIS DOCUMENT IS PROPRIETARY TO TROMPETER ELECTRONICS INC. AND SHALL NOT BE DISCLOSED, COPIED OR USED FOR PROCUREMENT OR MANUFACTURE WITHOUT EXPRESS WRITTEN PERMISSION.	REVISIONS		3-0101	SH 1
			REV K	DESCRIPTION REVISED PER ECO 16420	OWN L.M.	APPROVED <i>[Signature]</i>

DASH NO	CABLES ACCOMMODATED	A DIM	B DIM	C HEX	D FLATS	E DIA	F DIA MAX	CABLE ENTRY DIA	ASSEMBLY PER
-7	TRC-50-2 TRC-75-2	1.314	.096	.438	.500	.500	.593	.274	TAI-189
-8	B227 BELDEN	1.648	.130	.625	.688	.750	.775	.245	TAI-103
-9	TWC-78-2 TWC-124-2	1.314	.096	.438	.500	.500	.593	.285	TAI-102
-10	RG-22 754E W.E.CO.							.455	TAI-103
-11	760A W.E.CO.	1.648	.130	.625	.688	.750	.775	.347	
-12	16 PEVL W.E.CO. VI-AL GENERAL							.485	TAI-128
-13	TRF-59 TAMES							.362	TAI-129
-13A	B232 BELDEN							.352	TAI-165
-14	B233 BELDEN							.490	TAI-129
-23	250-3884 MICRODOT							.183	TAI-189
-24	202-3934 MICRODOT							.191	TAI-102
-24A	9530AS117 RAYCHEM							.200	TAI-189
-25	T-43M GENERAL							.285	TAI-102
-25A	5021H5331 RAYCHEM							.191	TAI-189
-26	7028AS518 RAYCHEM							.191	TAI-189
-27	T191PSJ2619EN MOVEN 202-3927 MICRODOT							.145	TAI-102
-27	202-3942 MICRODOT							.191	
-29	TWC-78-1/TWC-124-1A	1.314	.096	.438	.500	.500	.593	.191	TAI-102
-30	761A W.E.CO. B441 BELDEN							.235	TAI-189
-32	TRC-50-1							.191	
-33	TRC-75-1							.217	
-42	21-204 ESSEX 4463 CONSOLIDATED							.200	TAI-189
-43	250-4044/250-4045 293-3930 MICRODOT							.200	TAI-102
-45	M27500-22TE2T14 1100-66F STANDARD							.183	
-46	9880 BELDEN	1.648	.130	.625	.688	.750	.775	.475	TAI-103
-47	M17/176-00002							.154	TAI-102
-49	TWC-78-1F2	1.314	.096	.438	.500	.500	.593	.132	
-54	B9207 BELDEN	1.648	.130	.625	.688	.750	.775	.323	TAI-103
-55	B9272 BELDEN							.250	TAI-102
-56	GC875GC1, GRUMMAN							.191	TAI-189
-57	GC875GB1, GRUMMAN							.191	TAI-189
-58	GC875TM24H, GRUMMAN							.198	TAI-102
-59	GC875LNI, GRUMMAN	1.314	.096	.438	.500	.500	.593	.217	TAI-189
-60	M17/177 THERMATICS 380-10045 BOEING							.183	TAI-189
-64	7528AS314, RAYCHEM							.183	TAI-189

FIG 1  
- 9 SHOWN

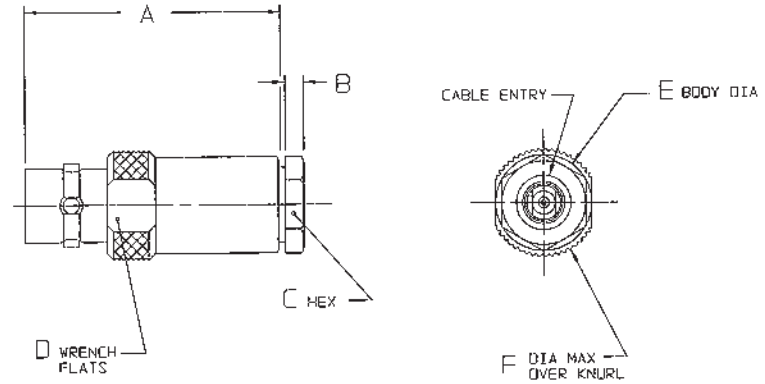
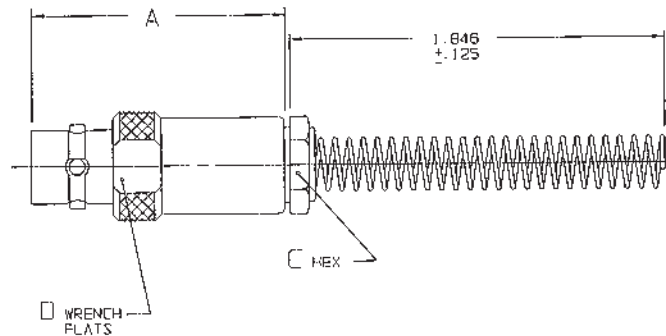


FIG 2  
- 9 SHOWN



**RED INDICATES ORIGINAL**

△ FOR BEND RELIEF SPRING (FIG 2) ADD SUFFIX "BR" TO MODEL NO (NOT AVAILABLE WITH CABLE GROUPS -8,-10,-11,-12,-13,-14,-46 AND -54)

- 4 LUG CONCENTRIC TWINAX/TRIAX TRB CABLE RECEPTACLE
- FINISH: TFS-1A (NICKEL)

QTY	DESCRIPTION	PART NUMBER	ITEM
TOL UNLESS SPECIFIED .XX ± .005 .XXX ± .002 ANGLES	<b>TROMPETER</b> RF connectivity	CJ70FL/CJ70FLBR	
OWN L.M.	7-25-07	MATERIAL	CODE IDENT
CHK JC	8-24-07	14949	DRAWING NO.
ENGR			3-0101
APPR			K
305-0515		SCALE 2/1	DATE 4/25/83
NEXT ASSY			SHEET 1C