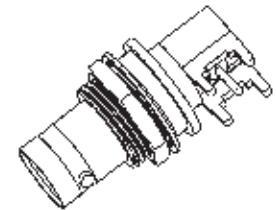
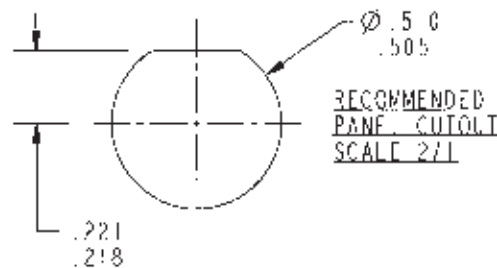
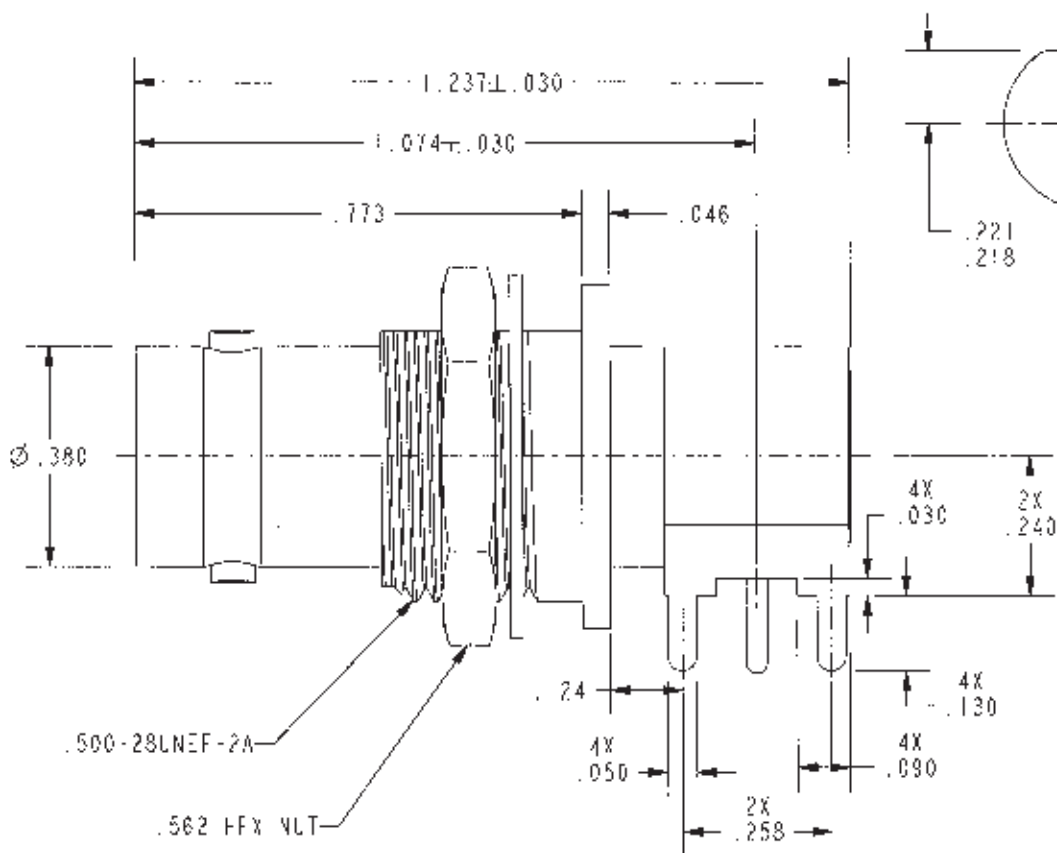


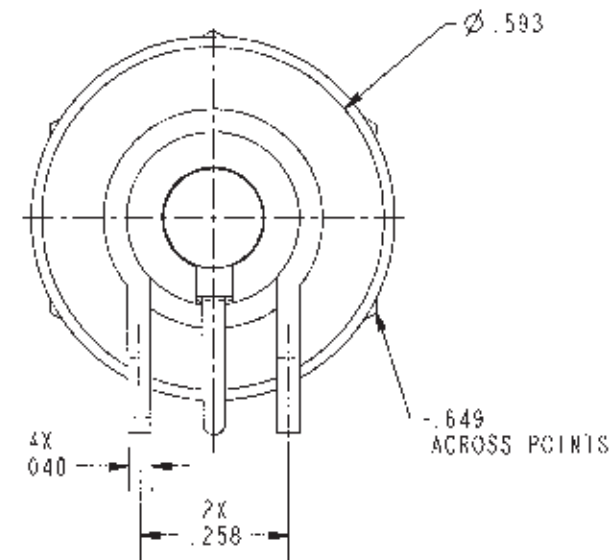
DASH NUMBER	MODEL NUMBER	LETTER CODE	IMPEDANCE Ω	A DIA
-1	CBBJR229		50	.046
-2	UCBBJR229		75	.029

DATA CONTAINED IN THIS DOCUMENT IS PROPRIETARY TO TROMPETER ELECTRONICS INC AND SHALL NOT BE DISCLOSED, COPIED OR USED FOR REPRODUCTION OF MANUFACTURE WITHOUT EXPRESS WRITTEN PERMISSION

REV	DESCRIPTIONS	DATE	APPROVED
3	REVISED PER ECO 18825	7-18-08	Oremat

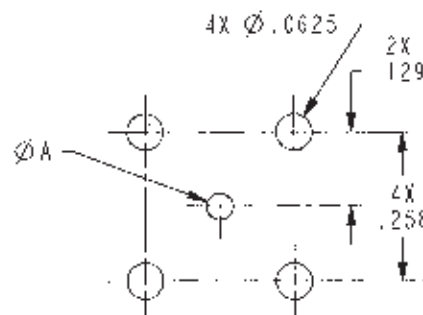


SCALE 1/1



AS SHOWN

RED INDICATES ORIGINAL



RECOMMENDED MOUNTING HOLE PATTERN SCALE 3/1

- MAXIMUM PANEL THICKNESS .19
- FINISH: TFS-1A (NICKEL)
- 50 & 75 Ω RIGHT ANGLE CIRCUIT BOARD AND BULKHEAD MOUNT BNC RECEPTACLE

NOTES: UNLESS OTHERWISE SPECIFIED.

INTERPRET DRAWING PER MIL-STD-100. DIMENSIONS ARE IN INCHES AND INCLUDE FINISH THICKNESS UNLESS OTHERWISE SPECIFIED.		TOL. UNLESS SPECIFIED: 4X $\pm .02$ 4X $\pm .010$ ANGLE $\pm 1^\circ$			
DATE: 5-19-08	BY: Jm	6-23-08	QUALITY: [Signature]		
MATERIAL:		FINISH:		SIZE: A 14949	DRAWING NO.: 1-0580
NEXT ASSY: [Signature]		DATE: 7/17/08		SCALE: 3/1	DATE: 8-10-99
PROJECT FILE NO.: 0580		DO NOT SCALE DWG		SHEET 1C	