

DISK # H8
 DATA CONTAINED IN THIS DOCUMENT IS PROPRIETARY TO TROMPETER ELECTRONICS INC. AND SHALL NOT BE DISCLOSED, COPIED OR USED FOR PROCUREMENT OR MANUFACTURE WITHOUT EXPRESS WRITTEN PERMISSION.

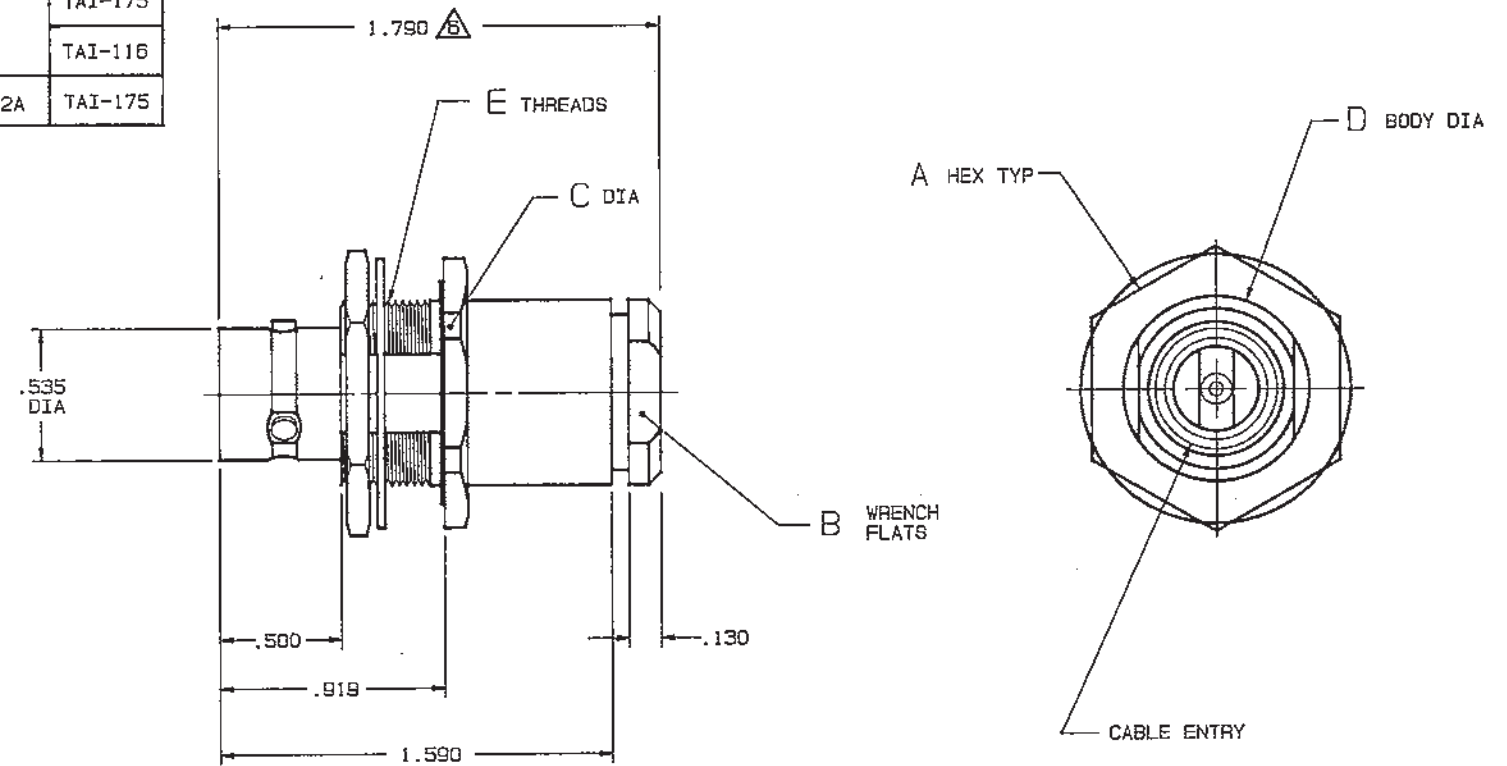
| REV | | EO | DESCRIPTION | DWN | APPROVED | DATE |
|-----|--|------|--|-----|--------------------|---------|
| C | | 8528 | REV BOM AND TAI ON -7,-8,-13,-13A,-14,-14A,-15,-25,-32,-42,-61 AND -62 & REDRAWN | DJK | <i>[Signature]</i> | 7-25-89 |

3-0263 SH 1

| DASH NO | CABLES ACCOMMODATED | FIG | A HEX | B FLATS | C DIA | D DIA | E THREADS | ASSEMBLE PER | | | | | | |
|---------|------------------------------|---------|-------|---------|-------|-------|---------------|--------------|-------|------|-------|-------|---------------|---------|
| -7 | TRC-50-2/TRC-75-2 | 1 | 1.000 | .625 | 1.090 | .750 | .750-32UN-2A | TAI-175 | | | | | | |
| -8 | 8227 BELDEN | | | | | | | TAI-116 | | | | | | |
| -9 | TWC-78-2,R6-108 TWC-124-2 | | | | | | | TAI-131 | | | | | | |
| -10 | 754E W.E.CO. R6-22 | | | | | | | TAI-175 | | | | | | |
| -11 | 760A W.E.CO. | | | | | | | | | | | | | |
| -12 | 16 PEVL W.E.CO. | | | | | | | | | | | | | |
| -13 | TRF-59 TIMES | | | | | | | | | | | | | |
| -13A | 8232 BELDEN | | | | | | | | | | | | | |
| -14 | 21-529 ESSEX 8233 BELDEN | | | | | | | | | | | | | |
| -14A | TRC-50-4A | | | | | | | 2 | 1.250 | .875 | 1.375 | 1.000 | 1.000-28UN-2A | TAI-116 |
| -15 | 21-583 ESSEX | | | | | | | | | | | | | TAI-175 |
| -16 | 21-950 ESSEX | | | | | | | | | | | | | TAI-116 |
| -26 | 275-3962 MICRODOT | | | | | | | 1 | 1.000 | .625 | 1.090 | .750 | .750-32UN-2A | TAI-175 |
| -29 | TWC-124-1A | TAI-116 | | | | | | | | | | | | |
| -32 | TRC-50-1 | TAI-175 | | | | | | | | | | | | |
| -42 | 21-204 ESSEX | TAI-116 | | | | | | | | | | | | |
| -46 | 9860 BELDEN | | | | | | | | | | | | | |
| -54 | 89207 BELDEN | | | | | | | | | | | | | |
| -61 | 5012W5B12 RAYCHEM | 2 | 1.250 | .875 | 1.375 | 1.000 | 1.000-28UN-2A | | | | | | | TAI-175 |
| -62 | 7518A0811 RAYCHEM | | | | | | | | | | | | | |

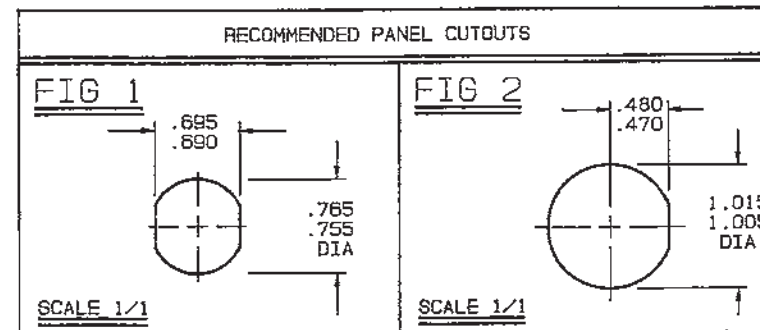
RED INDICATES ORIGINAL

| INCH | MM |
|-------|-------|
| .005 | 0.13 |
| .130 | 3.30 |
| .250 | 6.35 |
| .470 | 11.94 |
| .480 | 12.19 |
| .500 | 12.70 |
| .535 | 13.59 |
| .625 | 15.88 |
| .690 | 17.53 |
| .695 | 17.65 |
| .750 | 19.05 |
| .755 | 19.18 |
| .765 | 19.43 |
| .875 | 22.23 |
| .919 | 23.34 |
| 1.000 | 25.40 |
| 1.005 | 25.53 |
| 1.015 | 25.78 |
| 1.090 | 27.69 |
| 1.250 | 31.75 |
| 1.375 | 34.93 |
| 1.590 | 40.39 |
| 1.790 | 45.47 |



- ⚠ DIM IS MAX WHEN ASSEMBLED TO CABLE
- 5. 3-LUG CONCENTRIC TWINAX/TRIAX "C" STYLE BULKHEAD MOUNT RECEPTACLE WITH PIN CENTER CONTACT

- ⚠ MAX PANEL THK .250
- 3. INTERFACE: TCS-8J80
- 2. FINISH: TFS-1A (NICKEL)
- 1. ALL DIM ARE IN INCHES



| QTY | DESCRIPTION | PART NUMBER | ITEM |
|---|-------------------------------------|------------------|--------------------|
| TOL UNLESS SPECIFIED .XX ± .XXX ± .005 .XXXX ± ANGLES | TROMPETER RF connectivity | BJ893 | |
| DWN DJK 6/26/89 | MATERIAL | CODE IDENT 14949 | DRAWING NO. 3-0263 |
| CHK DJK 7/14/89 | | | REV C |
| ENGR DJK 7/14/89 | SCALE 2/1 | DATE 8/24/84 | SHEET 1 OF 2 |
| APPR DJK 7/14/89 | | | |

NEXT ASSY