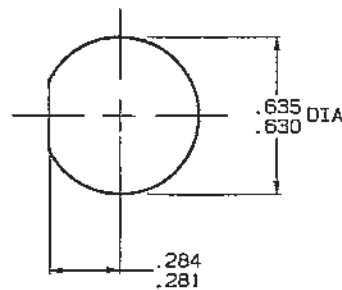


RED INDICATES ORIGINAL

DASH NO	CABLES ACCOMMODATED	ASSEMBLE PER	A DIA
-7	TRC-50-2/TRC-75-2	TAI-189	.274
-9	TWC-78-2/TWC-124-2	TAI-102	.285
-23	250-3884, MICRODOT	TAI-189	.183
-24	202-3934, MICRODOT	TAI-102	.191
-24A	9530A5117, RAYCHEM	TAI-189	.200
-25	GEEIA, GERMANY	TAI-102	.285
-25A	5021H5331, RAYCHEM	TAI-189	.285
-26	7028A5518, RAYCHEM		.183
-27	202-3927, MICRODOT		.145
-29	TWC-78-1/TWC-124-1A	TAI-102	.191
-30	76IA, V.E.CO/8441, BELDEN		.235
-32	TRC-50-1		.191
-33	TRC-75-1		.217
-42	21-204, ESSEX 4463, CONSOLIDATED	TAI-189	.300
-43	250-4044/250-4045 293-3930, MICRODOT		.200
-45	M27500-22TE2T14 1100-66F, STANDARD		.183
-47	M17/176-00002	TAI-102	.164
-49	TWAC-78-1F2		.132
-55	89272, BELDEN		.250
-56	6C8756C1, GRUMMAN	TAI-189	.191
-57	6C8756B1, GRUMMAN		
-58	6C875TM24H, GRUMMAN	TAI-102	.198
-59	6C875LNI, GRUMMAN		
-60	M17/177, THERMATICS 380-10045, BOEING	TAI-189	.217
-64	7528A5314, RAYCHEM		.183

INCH	MM	INCH	MM
.005	0.13	.281	7.14
.030	0.76	.284	7.21
.096	2.44	.285	7.24
.125	3.18	.300	7.62
.132	3.35	.414	10.52
.140	3.56	.437	11.10
.145	3.68	.500	12.70
.164	4.17	.530	13.50
.183	4.65	.535	13.68
.191	4.85	.750	19.05
.198	5.03	.775	19.69
.200	5.08	.800	20.32
.217	5.51	.866	22.00
.235	5.97	1.314	33.38
.274	6.96	1.846	46.89

- △** IF BEND RELIEF SPRING REQUIRED (FIG 2)
ADD SUFFIX "BR" TO MODEL NO
4. 4 LUG CONCENTRIC TWINAX/TRIAX TRB
INSULATED BULKHEAD MOUNT CABLE RECEPTACLE
 3. MAX PANEL THK .140
 2. FINISH: TFS-1A (NICKEL)
 1. ALL DIM ARE IN INCHES



RECOMMENDED
PANEL CUTOUT

DISK #	DWG SIZE	DATA CONTAINED IN THIS DOCUMENT IS PROPRIETARY TO TROMPETER ELECTRONICS INC. AND SHALL NOT BE DISCLOSED, COPIED OR USED FOR PROCUREMENT OR MANUFACTURE WITHOUT EXPRESS WRITTEN PERMISSION.	REVISIONS			3-0099	SH 1	
			REV	EO	DESCRIPTION	DWN	APPROVED	DATE
H11	C		6	9320	-7, -23, -24A, -25A, -26, -32, -33, -42, -43, -56, -57, -59, -60, -64. ASSY INSTRUCTIONS WAS TAI-104	DKC	B.M. <i>[Signature]</i>	5/29/91

FIG 1 △
-9 SHOWN

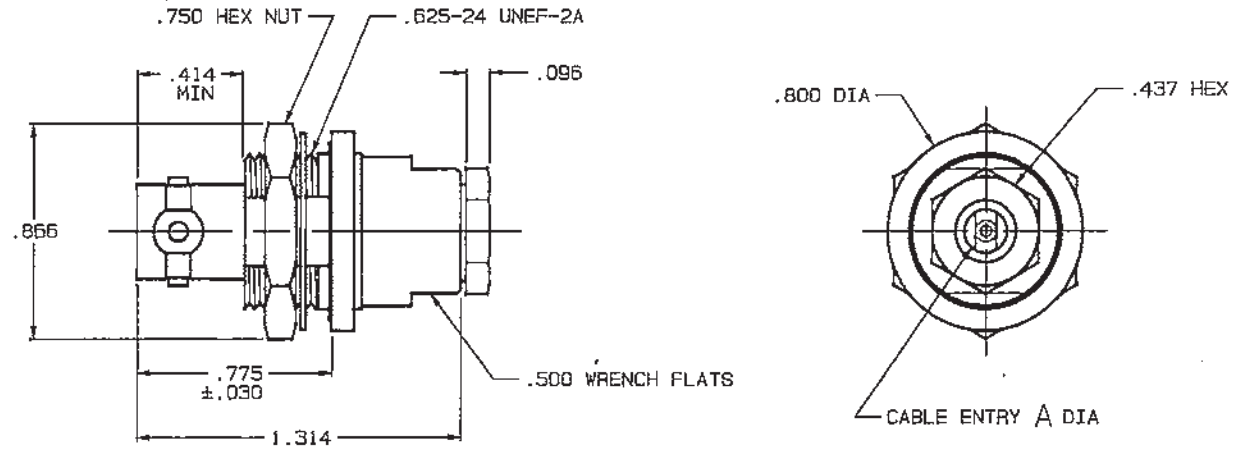
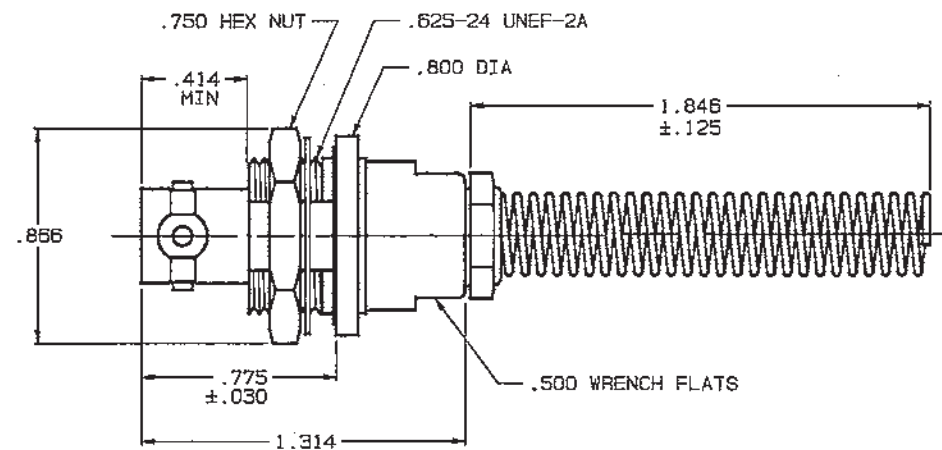


FIG 2 △
-9 SHOWN



QTY	DESCRIPTION	PART NUMBER	ITEM
TOL UNLESS SPECIFIED .XX ± .XXX ±.005 .XXXX ± ANGLES ±	TROMPETER RF connectivity	BJ74FL	
DWN	DKC 5-14-91	MATERIAL	CODE IDENT
CHK	B.M. 5-27-91	14949	DRAWING NO.
305-0515	ENGR	3-0099	REV G
NEXT ASSY	APPR	SCALE 2/1	DATE 4-25-83
			SHEET 1 OF 2