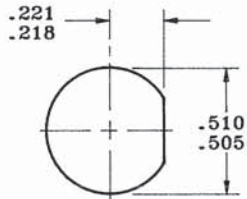


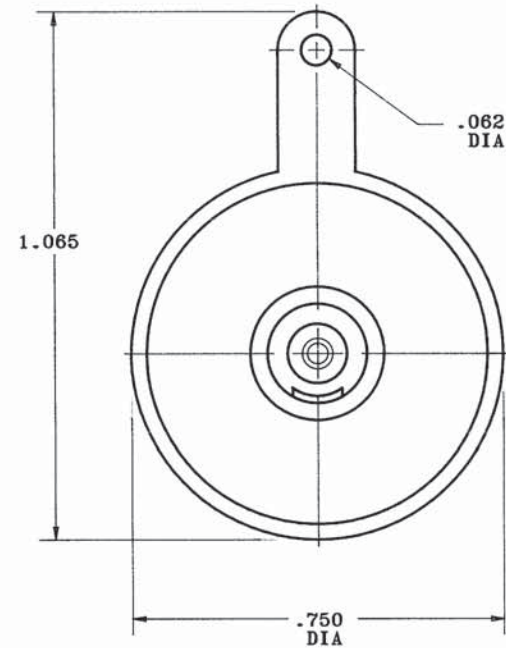
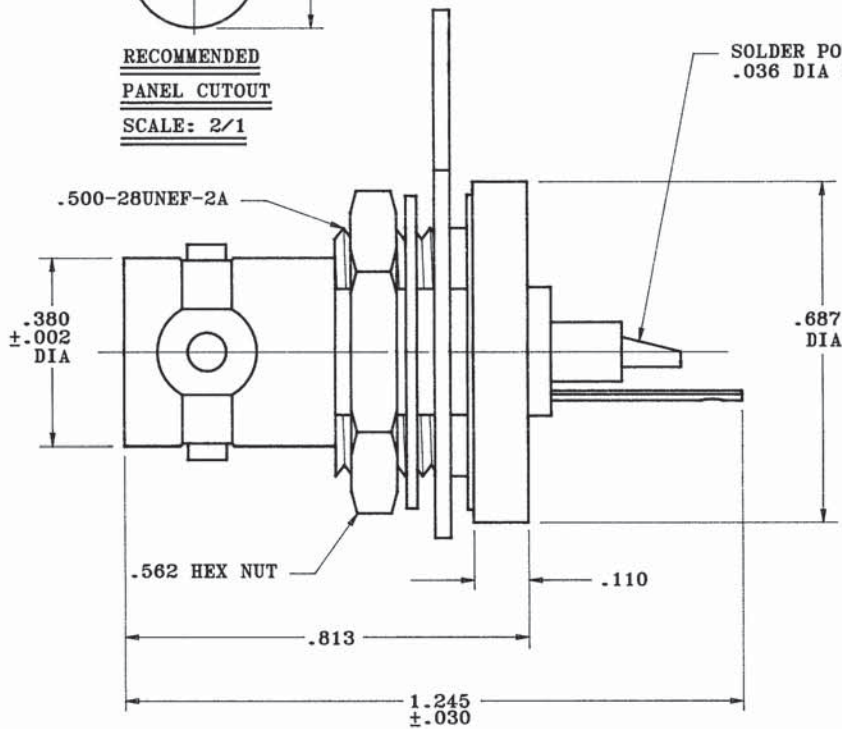
DATA CONTAINED IN THIS DOCUMENT IS PROPRIETARY TO TROMPETER ELECTRONICS INC. AND SHALL NOT BE DISCLOSED, COPIED OR USED FOR PROCUREMENT OR MANUFACTURE WITHOUT EXPRESS WRITTEN PERMISSION.

REVISIONS			3000-0237	SH 1	
REV	EO	DESCRIPTION	DWN	APPROVED	DATE
C	7645	REV BOM & ①, SH 2 & REDWN	RAG	F3, ENR	9-24-87
D	7871	OBSOLETE	RAG	DKC, ENR	7-25-88
E	8290	DWG RE-INSTATED	DKC	DKC, ENR	12-20-88



RECOMMENDED
PANEL CUTOUT
SCALE: 2/1

SOLDER POT ACCEPTS
.036 DIA CONDUCTOR



INCH	MM
.002	0.05
.005	0.13
.030	0.76
.036	0.91
.062	1.57
.094	2.39
.110	2.79
.218	5.54
.221	5.61
.380	9.65
.505	12.83
.510	12.95
.562	14.27
.687	17.45
.750	19.05
.813	20.65
1.065	27.05
1.245	31.62

4. MAX PANEL THK .094
3. 4-LUG CONCENTRIC TWINAX/TRIAX TRB REAR MOUNT SOLDER POT BULKHEAD RECEPTACLE
2. FINISH: NICKEL
1. ALL DIM ARE IN INCHES

QTY	DESCRIPTION	PART NUMBER	ITEM
TOL UNLESS SPECIFIED .XX ± .XXX ± .005 .XXXX ± ANGLES ±		TROMPETER ELECTRONICS, INC.	
DWN	RAG 8/31/87	MATERIAL	CODE IDENT
CHK	F3 9-14-87		14949
ENGR	ENR 9-15-87	DRAWING NO.	3000-0237
APPR	ENR 9-23-87	REV	E
NEXT ASSY		SCALE 4/1	DATE 4/3/85
		SHEET	1 OF 2