

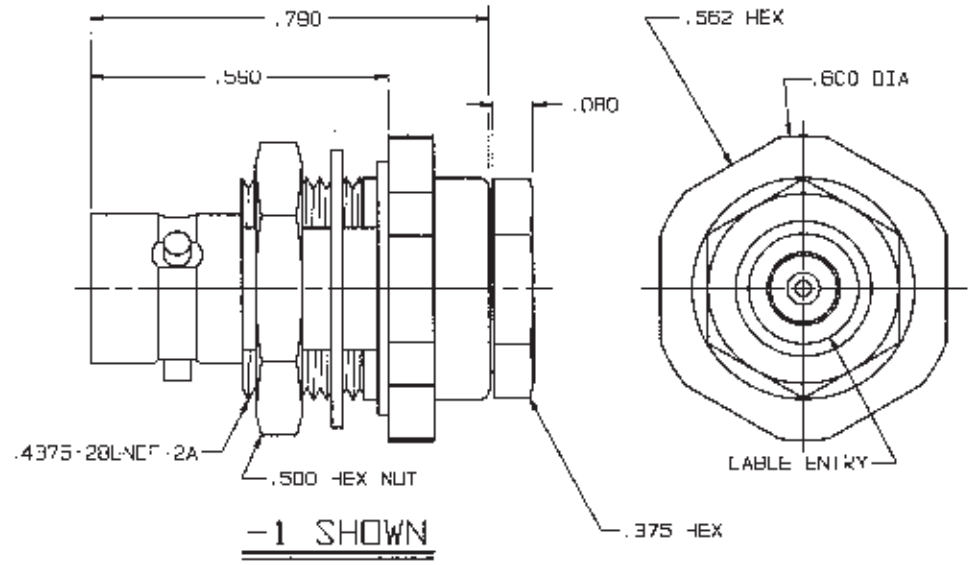
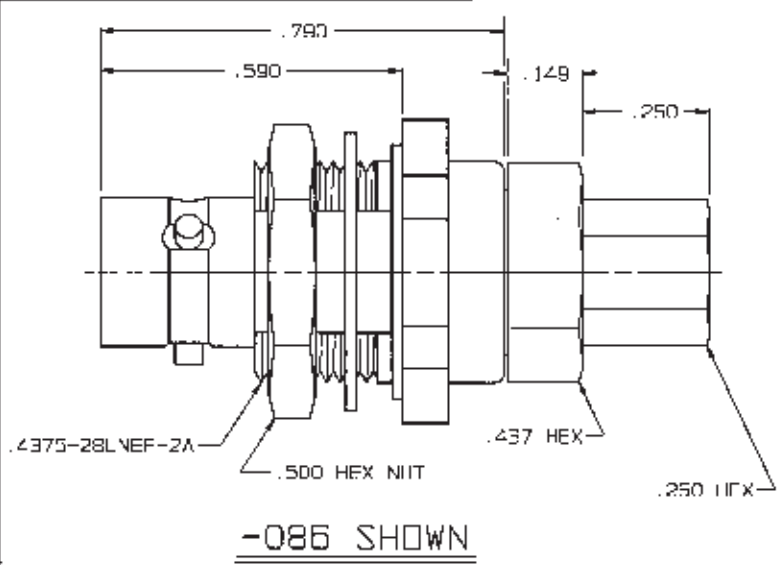
RED INDICATES ORIGINAL

DASH NO	CABLES ACCOMMODATED	ASSEMBLY PER	INCH	MM
-1	RG-58	TAI-135	.005	0.13
-2	RG-59		.080	2.03
-2A	B275 BELDEN		.140	3.78
-2B	730A AT&T	TAT-108	.187	4.75
-3	RG-223	TAI-135	.250	6.35
-4	RG-122		.375	9.23
-5	RG-174		.437	11.10
-5A	RG-196		.500	12.70
-22	RG-190		.552	14.27
-31	GRUMMAN GC875GP1		.590	14.96
-36	CXN1362: GJRE		.600	15.24
-086	RG-405		.790	20.07
-141	RG-402	TAT-130		

QWE SIZE
B

DATA CONTAINED IN THIS DOCUMENT IS PROPRIETARY TO TROMPETER ELECTRONICS, INC. AND SHALL NOT BE DISCLOSED, COPIED OR USED FOR PROCUREMENT OR MANUFACTURE WITHOUT EXPRESS WRITTEN PERMISSION.

REVISIONS			1-0174		SH 1
REV	LOC	DESCRIPTION	DWN	APPROVED	DATE
P	1:8:5	REVISED, REDRAWN AND GENERAL UPDATE; ADDED -36; DRAWING NUMBER WAS 1000-0174; SEE ECC	DKC		10/24/00



- NOT WRENCH TIGHT
- 4. MAX PANEL THICKNESS .107
- 3. FEMALE TYPE TFS COAXIAL BULKHEAD JACK
- 2. FINISH: TFS 1A (NICKEL)
- 1. ALL DIMENSIONS ARE IN INCHES

QTY	DESCRIPTION	PART NUMBER	ITEM
TOL. UNLESS SPECIFIED .XX ± .XXX ±.005 .XXXX ± ANGLES	TROMPETER RF connectivity <small>a direct connectivity solutions provider</small>	3J59	
DWN	DKC 10-14-96	MATERIAL	CODE IDENT
CHK	10-26-96		14949
ENGR			DRAWING NO
			1-0174
			REV
			P
NEXT ASSY	APPR 10-23-96	SCALE 1/1	DATE 4-10-90
			SHEET 1 OF 2