


RED INDICATES ORIGINAL

DASH NO	CABLES ACCOMMODATED	ASSEMBLE PER	A DIA
-7	TRC-50-2/TRC-75-2	TAI-189	.274
-9	TWC-78-2/TWC-124-2	TAI-102	.285
-23	250-3884, MICRODOT	TAI-189	.183
-24	202-3934, MICRODOT	TAI-102	.191
-24A	9530A5117, RAYCHEM	TAI-189	.200
-25	GEEIA, GERMANY	TAI-102	.285
-25A	5021H5331, RAYCHEM	TAI-189	.285
-26	7028A5518, RAYCHEM		.183
-27	202-3927, MICRODOT		.145
-29	TWC-78-1/TWC-124-1A	TAI-102	.191
-30	761A, W.E. CO/8441, BELDEN		.235
-32	TRC-50-1		.191
-33	TRC-75-1		.217
-42	21-204, ESSEX 4463, CONSOLIDATED	TAI-189	.300
-43	250-4044/250-4045 293-3930, MICRODOT		.200
-45	M27500-22TE2T14 1100-66F, STANDARD		.183
-47	M17/176-00002	TAI-102	.164
-49	TWAC-78-1F2		.132
-55	89272, BELDEN		.250
-56	6C8756C1, GRUMMAN	TAI-189	.191
-57	6C8756B1, GRUMMAN		
-58	6C875TM24H, GRUMMAN	TAI-102	.198
-59	6C875LNI, GRUMMAN		
-60	M17/177, THERMATICS 380-10045, BOEING	TAI-189	.217
-64	7528A5314, RAYCHEM		.183

DISK # H10 DWG SIZE C
 DATA CONTAINED IN THIS DOCUMENT IS PROPRIETARY TO TROMPETER ELECTRONICS INC. AND SHALL NOT BE DISCLOSED, COPIED OR USED FOR PROCUREMENT OR MANUFACTURE WITHOUT EXPRESS WRITTEN PERMISSION.

REVISIONS			3-0073		SH 1
REV	EO	DESCRIPTION	DWN	APPROVED	DATE
H	9320	-7, -23, -24A, -25A, -26, -32, -33, -42, -43, -56, -57, -59, -60, -64. ASSY INSTR WAS TAI-104	DKC	B.M. <i>[Signature]</i>	5/29/91

FIG 1 
-9 SHOWN

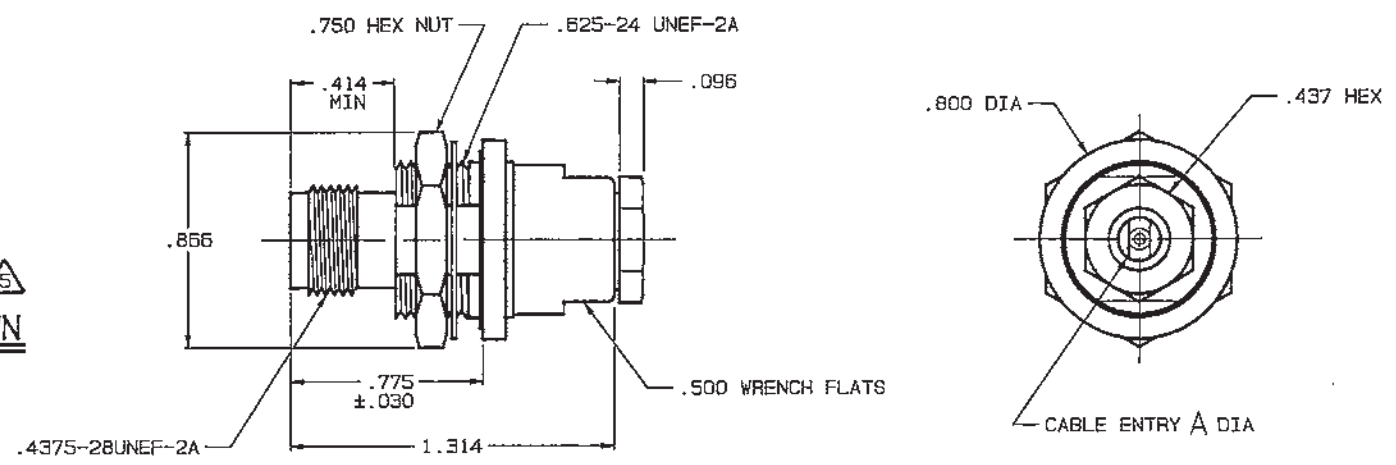

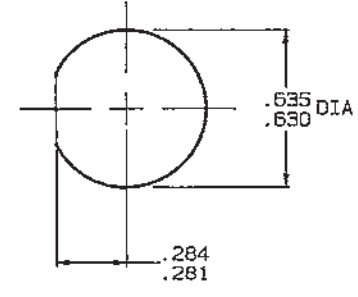
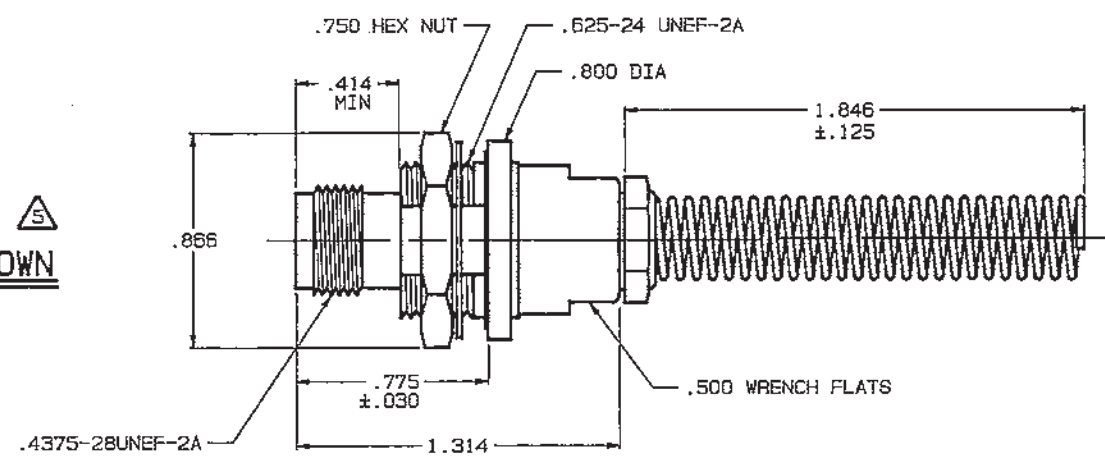



FIG 2 
-9 SHOWN




INCH	MM	INCH	MM
.005	0.13	.281	7.14
.030	0.76	.284	7.21
.096	2.44	.285	7.24
.125	3.18	.300	7.62
.132	3.35	.414	10.52
.140	3.56	.437	11.10
.145	3.68	.500	12.70
.164	4.17	.630	16.00
.183	4.65	.635	16.13
.191	4.85	.750	19.05
.198	5.03	.775	19.69
.200	5.08	.800	20.32
.217	5.51	.866	22.00
.235	5.97	1.314	33.38
.274	6.96	1.846	46.89

 IF BEND RELIEF SPRING REQUIRED (FIG 2) ADD SUFFIX "BR" TO MODEL NO

4. CONCENTRIC TWINAX/TRIAX INSULATED TRB BULKHEAD MOUNT CABLE RECEPTACLE
3. MAX PANEL THK .140
2. FINISH: TFS-1A (NICKEL)
1. ALL DIM ARE IN INCHES

RECOMMENDED
 PANEL CUTOUT

QTY	DESCRIPTION	PART NUMBER	ITEM
TOL UNLESS SPECIFIED .XX ± .XXX ±.005 .XXXX ± ANGLE ±		BJ374	
DWN	DKC 5-13-91	MATERIAL	CODE IDENT
CHK	E.M. 5-27-91	14949	DRAWING NO.
305-0515	ENGR	3-0073	REV H
NEXT ASSY	APPR	SCALE 2/1	DATE 9-29-81 SHEET 1 OF 2