

RED INDICATES ORIGINAL

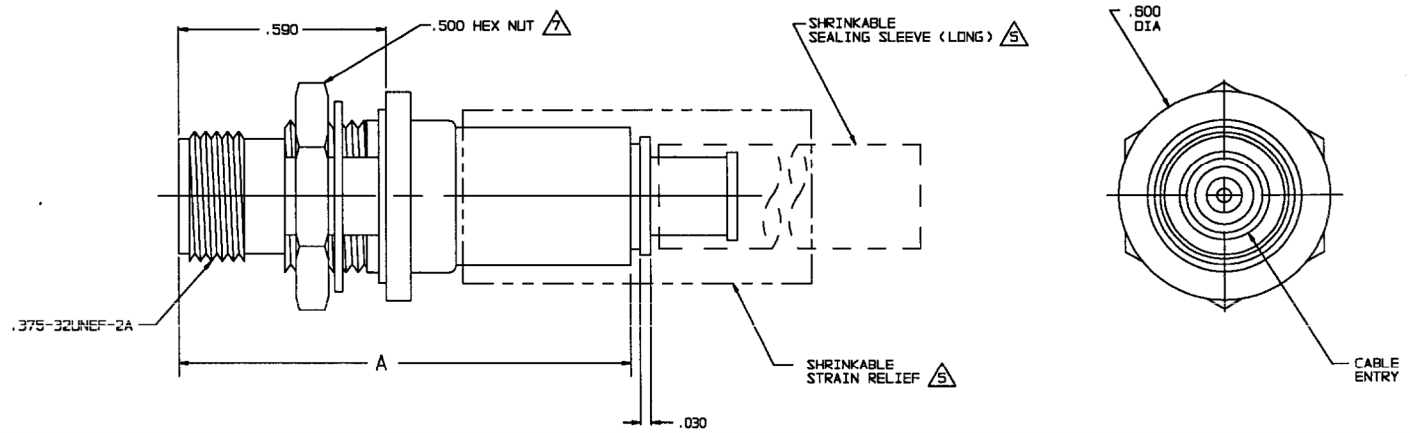
DASH NO	CABLES ACCOMMODATED	A DIM	B HEX	ASSEMBLE PER
-201	M17/176-00002	1.164	.255	TAI-143
-202	TWC-78-1			
-203	TWC-124-1A			
-204	10602, RAYCHEM			
-205	TWAC-78-1F2			
-206	782600130, RAYCHEM	1.289	.344	TAI-167
-207	B3310 BELDEN			
-208	202-3927 MICRODOT			
-209	202-3942 MICRODOT	1.164	.255	TAI-143
-210	B451 BELDEN			
-211	202-3934 MICRODOT	1.289	.344	TAI-144
-212	2524E0114, RAYCHEM			
-213	TWC-78-2			
-214	TWC-124-2			
-215	BL-982 TIMES			
-216	BL-1242 TIMES	1.164	.255	TAI-143
-217	GC875TM24H, GRUMMAN			
-218	EPO 22188B, RAYCHEM			
-219	2526D1114, RAYCHEM			
-220	GC875RR1, GRUMMAN			
-221	10614, RAYCHEM	1.289	.344	TAI-144
-222	10613, RAYCHEM			
-223	HMS2-1149, HUGHES			
-224	TWCP-124-3	1.164	.255	TAI-157
-225	PS665PL, PRIME STOCK			

DATA CONTAINED IN THIS DOCUMENT IS PROPRIETARY TO TROMPETER ELECTRONICS, INC. AND SHALL NOT BE DISCLOSED, COPIED OR USED FOR REPRODUCTION OR MANUFACTURE WITHOUT EXPRESS WRITTEN PERMISSION.

REVISONS			3-0234	SH 1	
REV	ED	DESCRIPTION	OWN	APPROVED	DATE
L	12390	ADDED -224 & -225; SEE ECO	DBN	JAM	5/25/98

DASH NO	CABLES ACCOMMODATED	A DIM	B HEX	ASSEMBLE PER
-301	GC875GC1, GRUMMAN	1.164	.255	TAI-157
-302	GC875GB1, GRUMMAN 5022E5111, RAYCHEM			
-303	7528A5314, RAYCHEM			
-304				
-305	M17/177-00001/295-3804 MICRODOT	1.289	.344	TAI-173
-306	TRC-50-2 M17/134-00002			
-307	TRC-75-1	1.164	.255	TAI-157
-308	TRC-75-2			
-309	TRC-50-1			

INCH	MM
.005	0.13
.030	0.76
.125	3.18
.187	4.75
.190	4.83
.344	8.74
.255	6.48
.438	11.15
.443	11.25
.500	12.70
.590	14.99
.600	15.24
1.00	25.40
1.164	29.57
1.25	31.25
1.289	32.74
1.75	44.45



- 1** SHRINKABLE STRAIN RELIEF AND/OR SHRINKABLE SEALING SLEEVE SUPPLIED LOOSE AS FOLLOWS:
- CABLE GROUPS -207, -210 & -307:
 - 1 SHRINKABLE STRAIN RELIEF (1.00 LONG)
 - 1 SHRINKABLE SEALING SLEEVE (1.25 LONG)
 - CABLE GROUPS -201 THROUGH -206, -208, -209, -217 THROUGH -223, -301, -302, -303 & -309:
 - 1 SHRINKABLE SEALING SLEEVE (1.25 LONG)
 - CABLE GROUPS -211 THROUGH -216, -305, -306 & -308:
 - 1 SHRINKABLE STRAIN RELIEF (1.75 LONG)
- 4.** MAX PANEL THK .125
- 3.** THREADED SUBMINIATURE CONCENTRIC TWINAX (4 PIECE ASSY) AND TRIAX (6 PIECE ASSY) FULL CRIMP NONINSULATED BULKHEAD MOUNT RECEPTACLE
- 2.** FINISH: TFS-1A (NICKEL)
- 1.** ALL DIMENSIONS ARE IN INCHES

-207 SHOWN

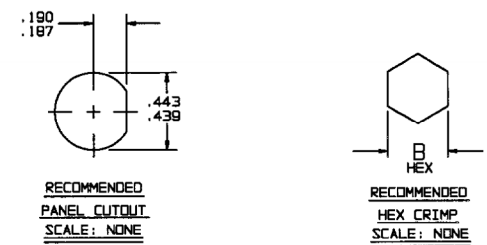
6. EXAMPLE OF COMPLETE MODEL NO:

BJ315BAC S -201

BASIC MODEL NO. CABLE GROUP DASH NO

△ SUFFIX "S" FOR SAFETY WIRE

△ IF SAFETY WIRE TYPE REQUIRED ADD SUFFIX "S" TO MODEL NO (SAFETY WIRE NUT SIZE WILL BE .564)



QTY	DESCRIPTION	PART NUMBER	ITEM
TOL UNLESS SPECIFIED XXX ±.03 XXX ±.005 XXX ±.0002 ANGLE:	TROMPETER ELECTRONICS, INC.	BJ315BAC/ BJ315BACS	
OWN DBN 4/11/98	MATERIAL	CODE IDENT	DRAWING NO.
CHK WM 4-17-98		14949	3-0234
ENGR			REV L
APPR JAM 5/18/98	SCALE 4/1	DATE 5-31-95	SHEET 1 OF 2