

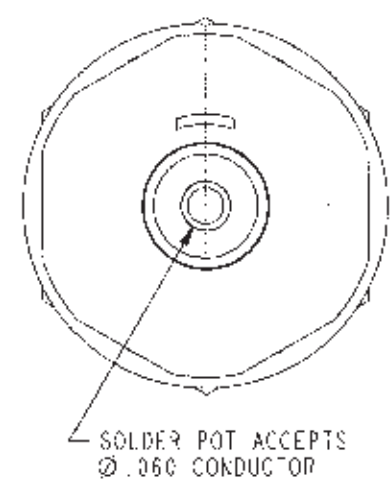
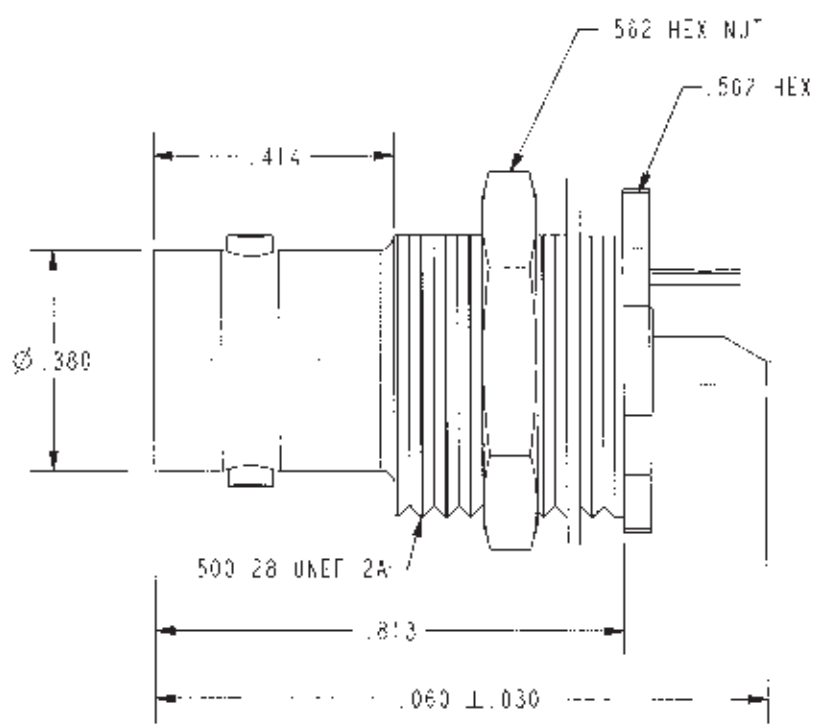
| MODEL NUMBER | IMPEDANCE OHMS |
|--------------|----------------|
| BJ23 | 50 |
| JDJ23 | 75 |

DATA CONTAINED IN THIS DOCUMENT IS PROPRIETARY TO TROMPETER ELECTRONICS, INC. AND SHALL NOT BE DISCLOSED, COPIED OR REPRODUCED FOR PROCUREMENT OR MANUFACTURE WITHOUT EXPRESS WRITTEN PERMISSION.

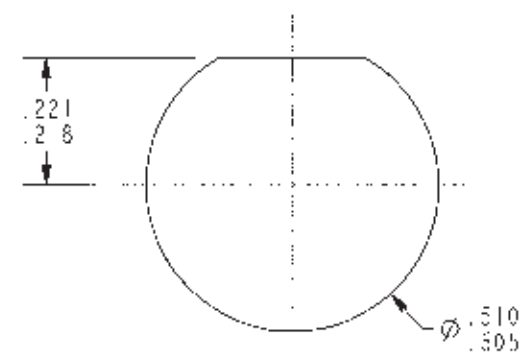
| REVISIONS | | | |
|-----------|------------------------|--------|--------------------|
| REV | DESCRIPTIONS | DATE | APPROVED |
| C | REVISED PER ECC # 6674 | 8-4-08 | <i>[Signature]</i> |



SCALE 2/1



SCALE 3/1



RECOMMENDED PANEL CUT-OUT SCALE 3/1

RED INDICATES ORIGINAL

- MAXIMUM PANEL THICKNESS: .147
- FINISH: TFS-1A (NICKEL)
- 50/75 OHM COAXIAL REAR MOUNT NON-INSULATED 2-LOC BNC TYPE SOLDER POT BULKHEAD RECEPTACLE

NOTES: UNLESS OTHERWISE SPECIFIED.

| | | | | |
|--|----------------------|---|---|--------|
| TYPICAL DIMENSIONS UNLESS OTHERWISE SPECIFIED: DIMENSIONS ARE IN INCHES UNLESS OTHERWISE SPECIFIED | | TOL: UNLESS SPECIFIED: XX = .07 .XXX = .010 ANGLE = 1° | | |
| J CARPENTER 06-27-08 CHM 7-31-08 QUANTITY PART# | MATERIAL: FINISH: | TITLE: U/BJ23 | | |
| APPROVED: <i>[Signature]</i> 7/31/08 PROJECT NO.: 105-1402 | NEXT ASSY | SIZE: A RANGE CODE: 14949 SCALE: 3/1 | DRAWING NO.: 105-1402 DATE: 3-12-02 SHEET: 1C | REV: C |