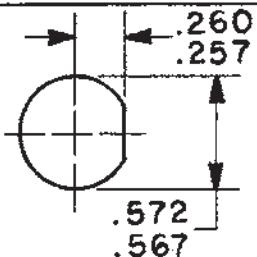


DATA CONTAINED IN THIS DOCUMENT IS PROPRIETARY TO TROMPETER ELECTRONICS INC. AND SHALL NOT BE DISCLOSED, COPIED OR USED FOR PROCUREMENT OR MANUFACTURE WITHOUT EXPRESS WRITTEN PERMISSION.

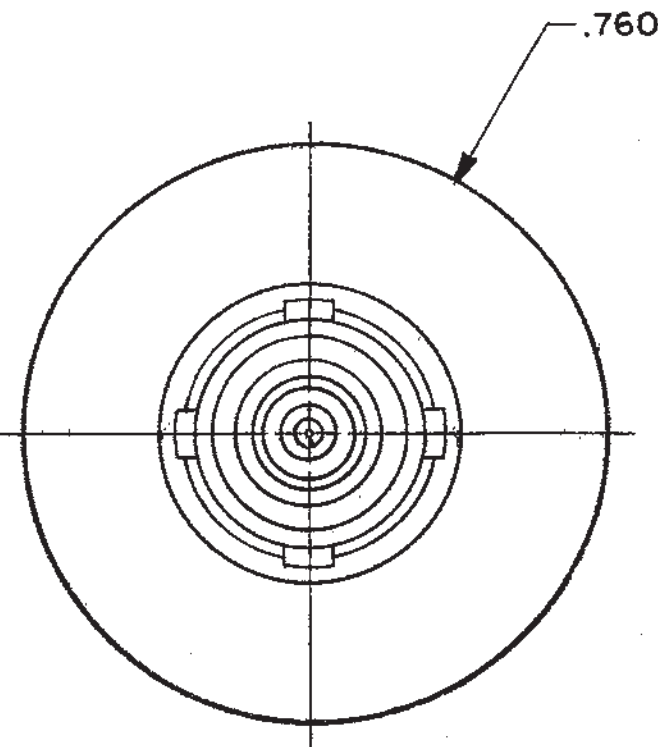
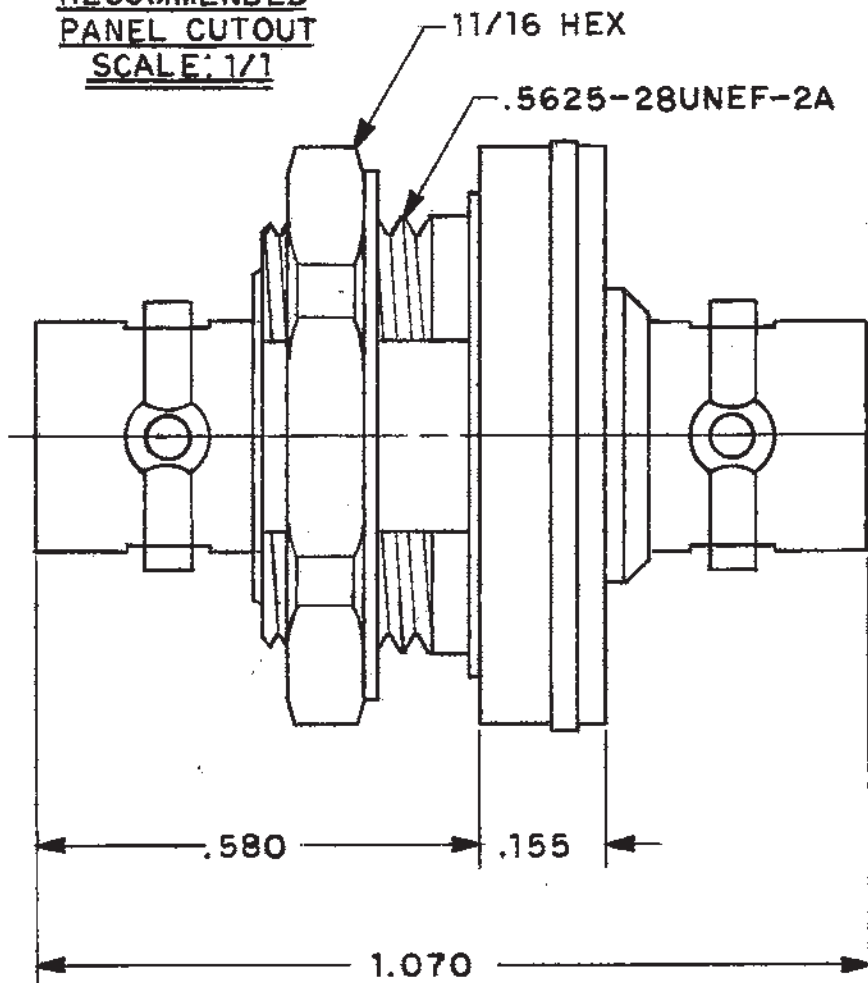
REVISIONS

3000-0087 SH 1

| REV | EO | DESCRIPTION | DWN | APPROVED | DATE |
|-----|----|-------------|-----|----------|------|
|     |    |             |     |          |      |




**RECOMMENDED  
PANEL CUTOUT  
SCALE: 1/1**



| INCH  | MM    |
|-------|-------|
| .116  | 2.95  |
| .155  | 3.94  |
| .257  | 6.53  |
| .260  | 6.60  |
| .567  | 14.40 |
| .572  | 14.53 |
| .580  | 14.73 |
| .760  | 19.30 |
| 1.070 | 27.18 |

4. MAX PANEL THK .116
3. INSULATED FEMALE 4-LUG SUBMINIATURE CONCENTRIC TWINAX/TRIAX BULKHEAD MOUNT FEEDTHRU JACK (TPS STYLE)
2. FINISH: TFS-1A (NICKEL)
1. ALL DIM ARE REF IN INCHES

NEXT ASSY

| QTY                  | DESCRIPTION | PART NUMBER   | ITEM         |
|----------------------|-------------|---|--------------|
| TOL UNLESS SPECIFIED |             |  |              |
| .XX ±                |             |   |              |
| .XXX ±               |             |   |              |
| .XXX ±               |             |   |              |
| ANGLES ±             |             | BJ153FL   |              |
| DWN                  | JEB 7-18-83 | MATERIAL  | CODE IDENT   |
| CHK                  | SC 9-19-83  | —   | 14949        |
| ENGR                 | Vm 9-19-83  | DRAWING NO.   | REV          |
| APPR                 | 9-30-83     | 3000-0087   |              |
| SCALE 4/1            |             | DATE 9-30-83  | SHEET 1 OF 2 |