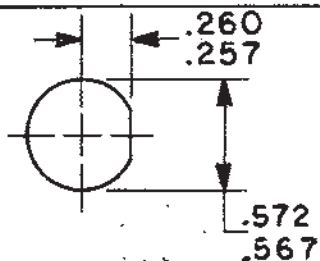


DATA CONTAINED IN THIS DOCUMENT IS PROPRIETARY TO TROMPETER ELECTRONICS INC. AND SHALL NOT BE DISCLOSED, COPIED OR USED FOR PROCUREMENT OR MANUFACTURE WITHOUT EXPRESS WRITTEN PERMISSION.

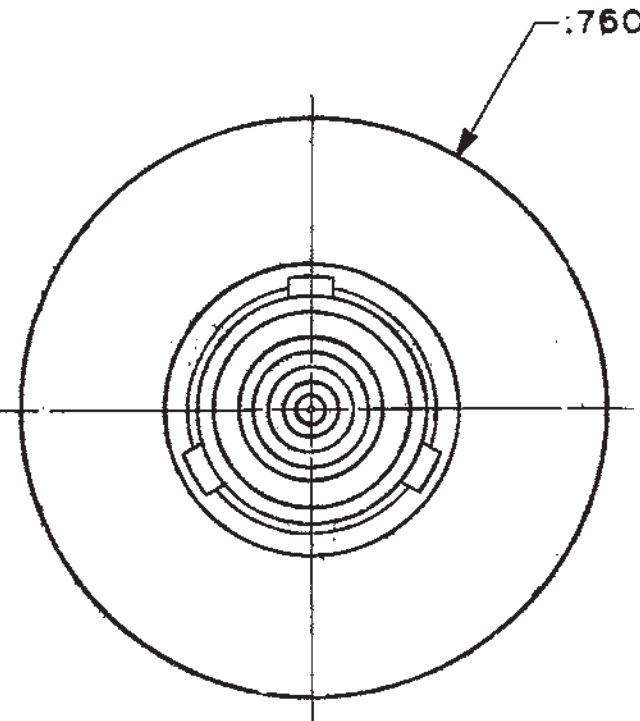
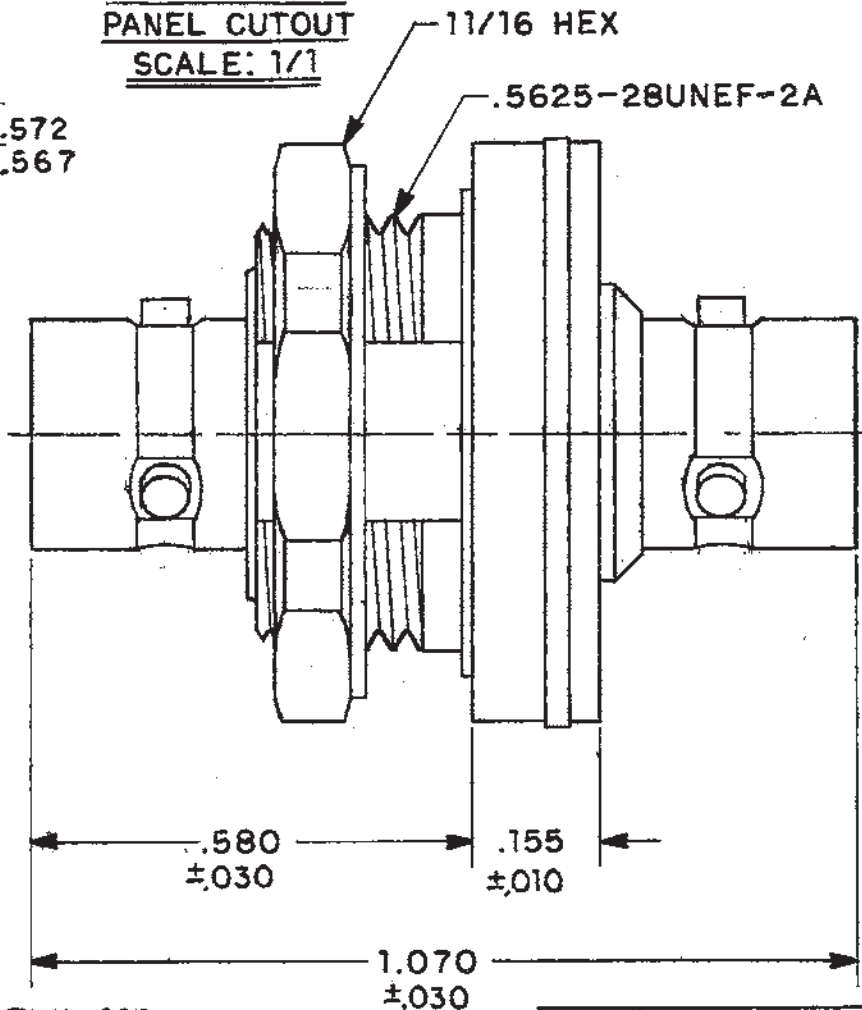
REVISIONS

3000-0076 SH 1

REV	EO	DESCRIPTION	DWN	APPROVED	DATE
A	7308	DELETED NOTES ① & ②, SH 2	FZ	<i>BM</i>	11-20-86




**RECOMMENDED
PANEL CUTOUT
SCALE: 1/1**



INCH	MM
.005	0.13
.010	0.26
.030	0.76
.116	2.95
.155	3.94
.257	6.53
.260	6.60
.567	14.40
.572	14.53
.580	14.73
.760	19.30
1.070	27.18

4. MAX PANEL THK .116
3. INSULATED SUBMINIATURE CONCENTRIC TWINAX/TRIAX BULKHEAD MOUNT FEEDTHRU JACK (TPS STYLE)
2. FINISH: TFS-1A (NICKEL)
1. ALL DIM ARE IN INCHES

NEXT ASSY

QTY	DESCRIPTION	PART NUMBER	ITEM
TOL UNLESS SPECIFIED .XX ± .XXX ± .005 .XXXX ± ANGLES ±		 <p>TROMPETER RF connectivity <small>a cinch connectivity solutions brand</small></p>	
DWN	JEB 7-19-83		
CHK	SC 9-16-83	—	14949
ENGR	THW 9-19-83	DRAWING NO.	REV
APPR	JA 9-30-83	3000-0076	A
SCALE 4/1		DATE 9-30-83	SHEET 1 OF 2