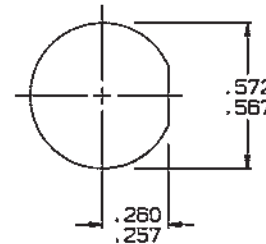
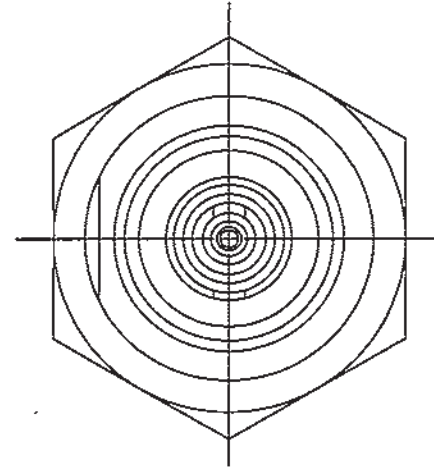
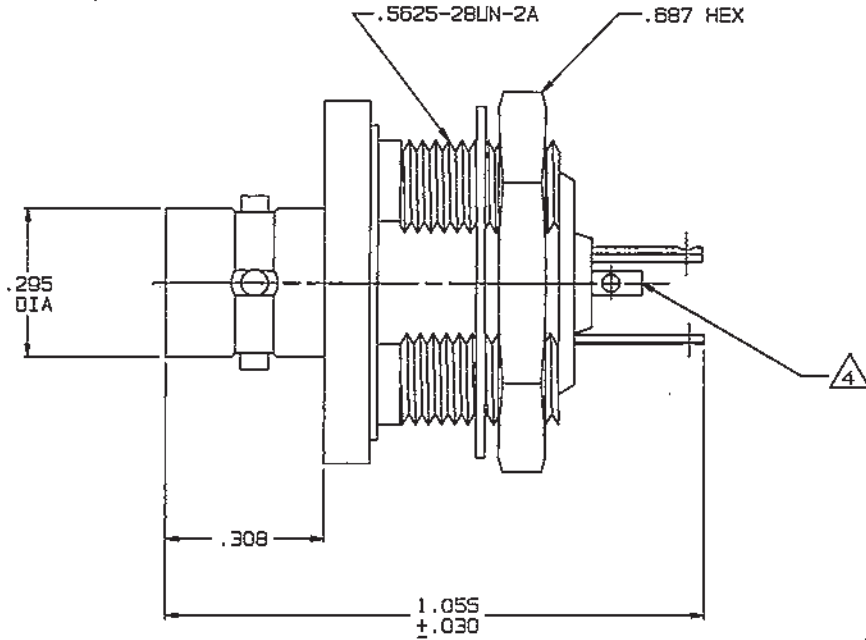


RED INDICATES ORIGINAL

DATA CONTAINED IN THIS DOCUMENT IS PROPRIETARY TO TROMPETER ELECTRONICS INC. AND SHALL NOT BE DISCLOSED, COPIED OR USED FOR PROCUREMENT OR MANUFACTURE WITHOUT EXPRESS WRITTEN PERMISSION.

REVISIONS			3-0085	SH 1	
REV	ECC	DESCRIPTION	OWN	APPROVED	DATE
D	12767	CHANGE CONTACT PICTORIALY; CHANGED NOTE 1, SH 2; SEE ECC	R L		4/19/99

INCH	MM
.005	0.13
.026	0.66
.030	0.76
.208	5.28
.257	6.53
.260	6.60
.295	7.49
.308	7.82
.567	14.40
.572	14.53
.687	17.45
1.055	26.80



RECOMMENDED
PANEL CUTOUT
SCALE: 2/1

5. INSULATED 4-LUG SUBMINIATURE TRIAXIAL SOLDER POT BULKHEAD MOUNT RECEPTACLE (TPS STYLE)
4. SOLDER POT ACCEPTS .026 MAX DIA CONDUCTOR
3. MAX PANEL THK: .208
2. FINISH: TFS-1A (NICKEL)
1. ALL DIMENSIONS ARE IN INCHES

QTY	DESCRIPTION		PART NUMBER	ITEM
TOL UNLESS SPECIFIED .XX ± .XXX ± .005 .XXXX ± ANGLES ±			BJ152FL	REV D
DWN R/L 4/1/99				
CHK ENGR	APPR	SCALE 4/1	DATE 3-29-83	SHEET 1C

NEXT ASSY