

8 7 6 5 4 3 2 1

D

C

B

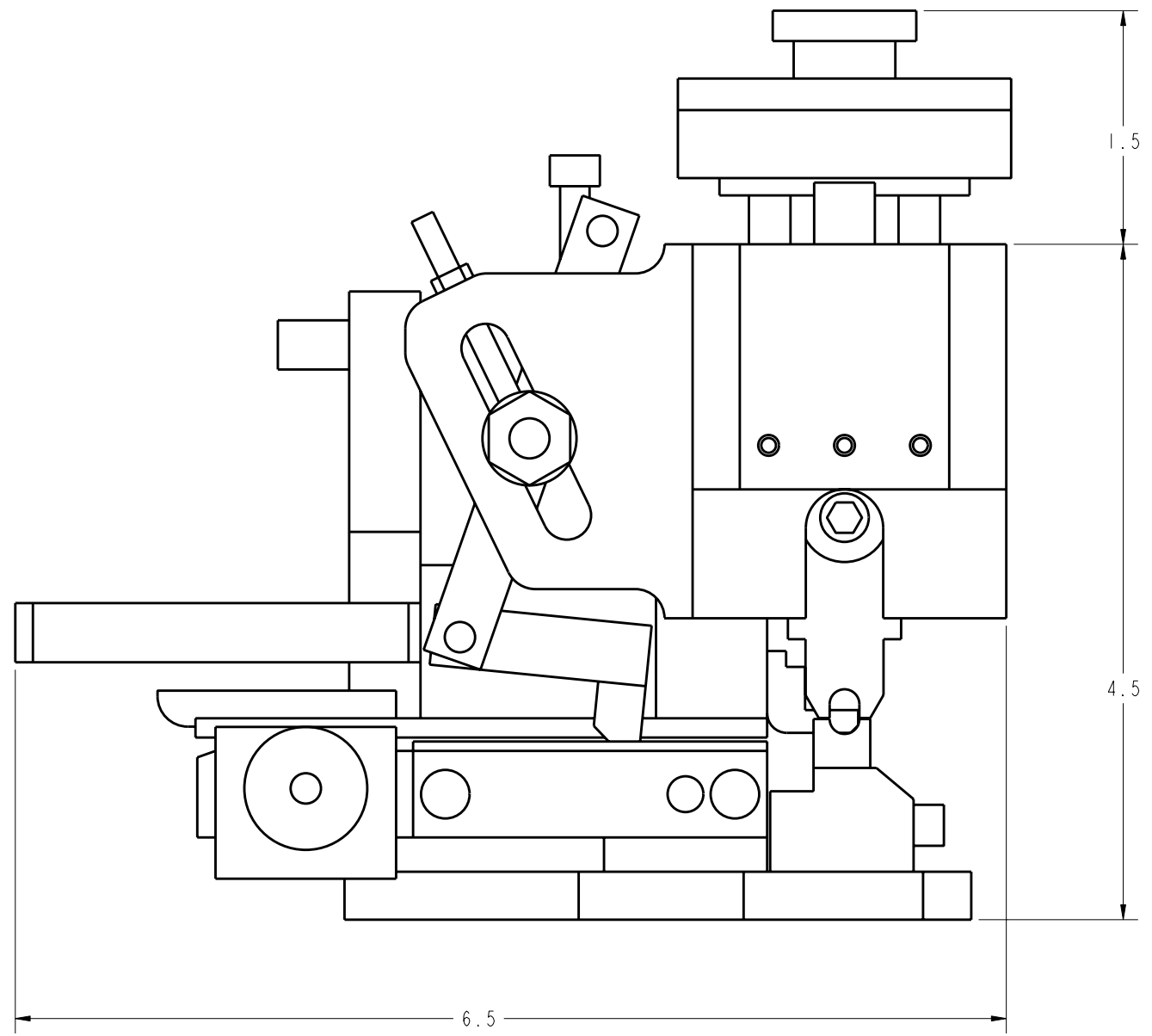
A

D

C

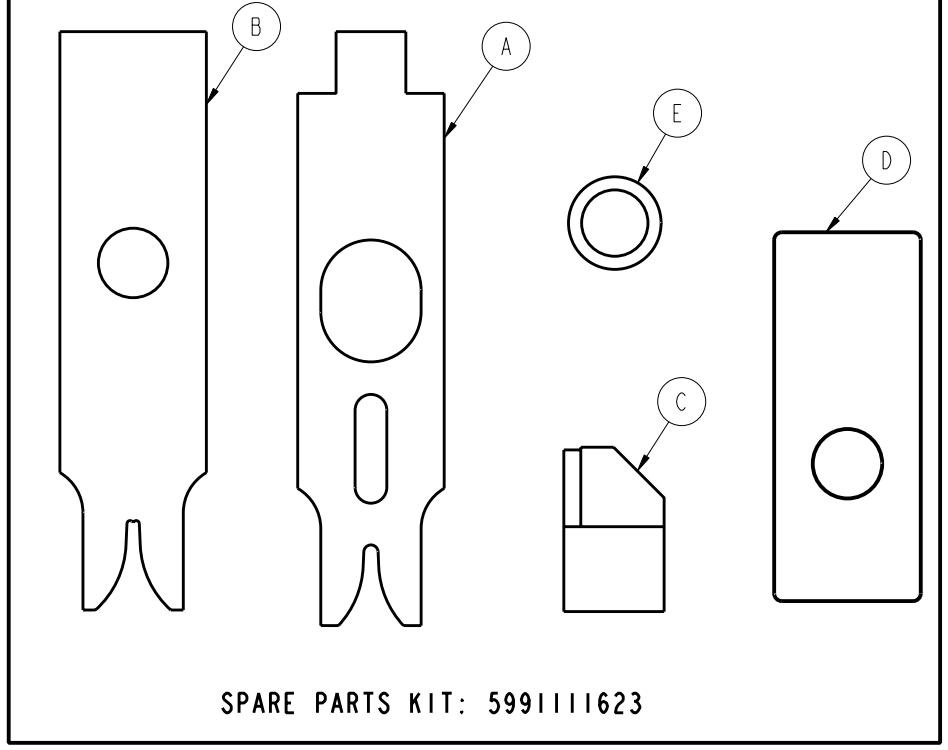
B

A



NOTE: DO NOT SCALE DRAWINGS

ITEM	QTY	DESCRIPTION
A	1	INSULATION PUNCH
B	1	WIRE PUNCH
C	1	ANVIL
D	1	SPACER
E	1	SPACER RING 2.4MM



SPARE PARTS KIT: 5991111623

NOTE 1:
THIS APPLICATOR COMES EQUIP TO CRIMP CINCH
TERMINAL 4250000872

NOTE 2:
TO CRIMP TERMINAL 4250000873, USE KIT NUMBER:
5991111624

NOTE 3:
THIS APPLICATOR FITS MOST 40MM (1.5") STROKE
PRESS

DRAWING REVISIONS

REV	DOCUMENT	APP	DATE
1	RELEASE TO SALE		05/23/01
2	REVISED NOTES		06/05/01
A	RELEASE TO FILE 01-1260	CO	06/13/01

MODELED BY:

UNITS ENGLISH		PRO/E	Cinch	1700 FINLEY RD LOMBARD, IL. 60148
DO NOT SCALE DRAWING	DRAWN BY C. ONG	DATE 05/23/01	TITLE APPLICATOR, CRIMP, (4250000872)	
<small>THIS DOCUMENT IS THE PROPERTY OF CINCH. NEITHER THIS DOCUMENT NOR ANY OF THE INFORMATION CONTAINED IN IT MAY BE DUPLICATED OR DISCLOSED WITHOUT PRIOR WRITTEN CONSENT OF CINCH.</small>	DESIGN ENGINEER	-	MATERIAL	CONTROL SPEC NUMBER
	DESIGN ENGINEERING MGR. C. ONG	-	MATERIAL SPEC NUMBER	FINISH
	MFG. ENGINEERING	-	CAD FILE NUMBER 5991111621S	DRAWING NUMBER 599 11 11 621S
	QUALITY ASSURANCE	-	CAGE IDENT NO. SIZE 71785 B	SCALE 1:1
			SHEET 1 OF 1	

8 7 6 5 4 3 2 1