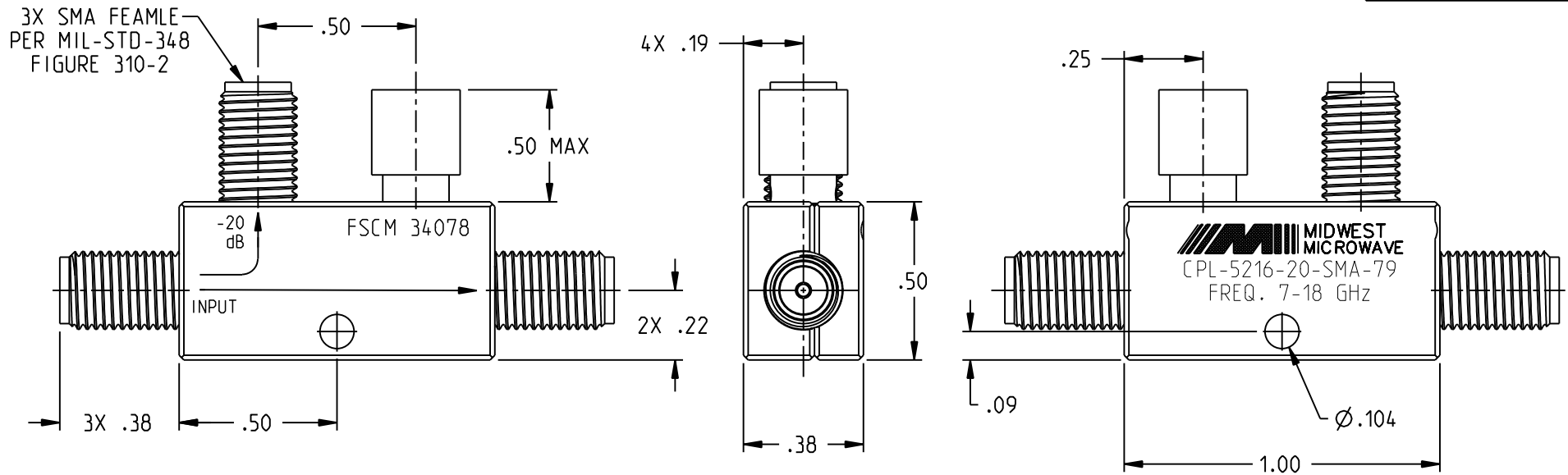


REV	ECO	DATE
A	22456	5/3/2010
K	25567	5/10/2016
L	58001	1/6/2022



NOTES: UNLESS OTHERWISE SPECIFIED.

1. MATERIAL & FINISH:

- 1.1 HOUSING (CIRCUIT): GRAY PAINT OVER CHEMICAL CONVERSION COATED ALUMINUM
- 1.2 HOUSING (CONNECTORS): PASSIVATED STAINLESS STEEL
- 1.3 HOUSING (TERMINATION): GREY PAINT OVER PASSIVATED STAINLESS STEEL
- 1.4 DIELECTRIC: PTFE (TEFLON)
- 1.5 CENTER CONDUCTORS: GOLD PLATED BERYLLIUM COPPER
- 1.6 DUST CAPS (NOT SHOWN): POLYETHYLENE

2. SPECIFICATIONS:

- 2.1 FREQUENCY RANGE: 7.0 TO 18.0 GHz
- 2.2 COUPLING: 20 ±1.0 dB
- 2.3 FREQUENCY SENSITIVITY: ±0.75 dB
- 2.4 VSWR (MAX): 1.45:1
- 2.5 INPUT LOSS (MAX - EXCLUDING COUPLED LOSS): 0.5 dB
- 2.6 DIRECTIVITY (MIN): 15 dB
- 2.7 INPUT POWER:
AVERAGE: 50 WATTS
PEAK: 4 KILOWATTS
- 2.8 RF IMPEDANCE: 50 OHMS NOMINAL
- 2.9 WEIGHT (TYPICAL): 0.6 OUNCES

<p>NOTICE: The information in this drawing is PROPRIETARY and must not be used without the permission of Cinch Connectivity Solutions. It may contain data whose export is restricted. Verify status prior to exporting.</p> <p>INTERPRET DRAWING IN ACCORDANCE WITH ASME Y14.5-2018</p>	Model No:	CPL-5216-20-SMA-79	MIDWEST MICROWAVE	
	Cage Code	34078	Title: DIRECTIONAL COUPLER 20dB, 7-18 GHz	
	UNLESS OTHERWISE SPECIFIED UNITS: INCH	3RD ANGLE PROJECTION	Drawing No.	REV.
	ENGINEER:	J. KERESKES	CPL-5216-20-SMA-79-01	L
Date:	1/6/2022	Size	A	DO NOT SCALE DRAWING
Workmanship Std:		Sheet	1	OF 1