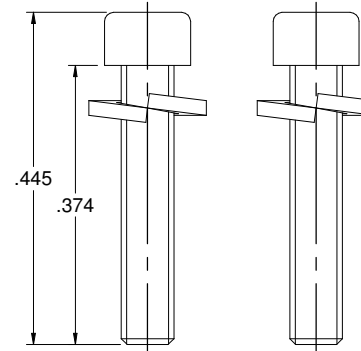
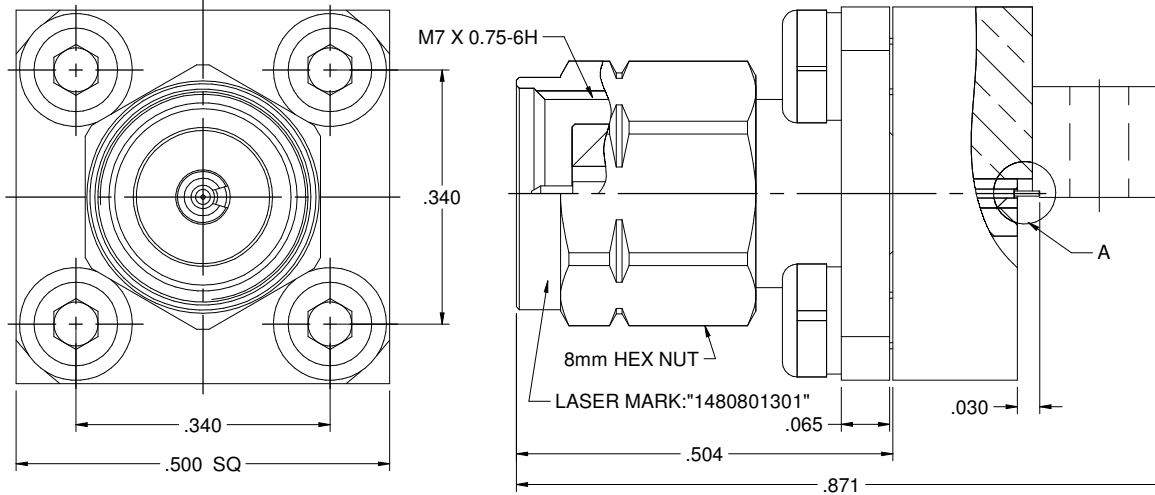
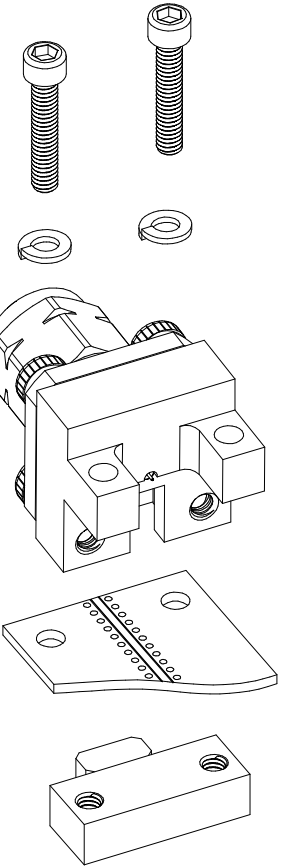
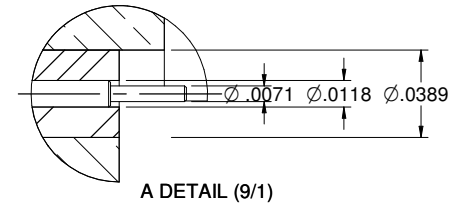


MODEL NO.	PACKAGING
148-0801-301	ONE PCS PER BAG

REV	ECO	DATE
001	ECO-17-0003	12/18/2017



NOTES: UNLESS OTHERWISE SPECIFIED

1. MATERIAL & FINISH:

- 1.1 BODY: NICKEL PLATED BRASS
- 1.2 CONTACT PIN : GOLD PLATED BERYLLIUM COPPER
- 1.3 INSULATOR: PTFE WHITE
- 1.4 BOLT & WASHER: STAINLESS STEEL

2. ELECTRICAL:

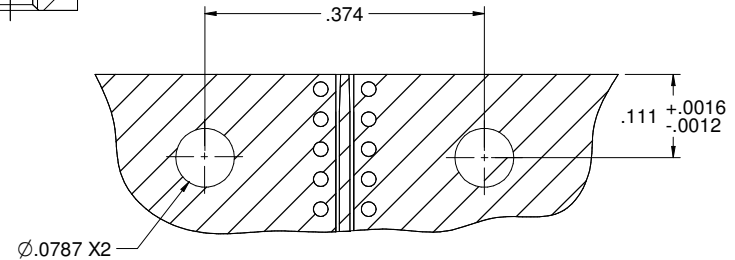
- 2.1 IMPEDANCE: 50 OHMS
- 2.2 FREQUENCY RANGE: 0-67 GHz
- 2.3 VOLTAGE STANDING WAVE RATIO: 1.2 MAX
- 2.4 CONTACT RESISTANCE:
 - 2.4.1 CENTER CONTACT: 6 MILLIOHM MAX
 - 2.4.2 OUTER CONTACT: 2.5 MILLIOHM MAX
- 2.5 INSULATION RESISTANCE: 5000 MOHM MIN
- 2.6 DIELECTRIC WITHSTANDING VOLTAGE: 500 VRMS

3. MECHANICAL:

- 3.1 ENGAGEMENT/DISENGAGEMENT FORCE: 0.23 NM MAX
- 3.2 COUPLING PROOF TORQUE: 1.65NM MIN
- 3.3 COUPLING NUT RETENTION: 267 N MIN
- 3.4 CONTACT RETENTION: 20N MIN
- 3.5 DURABILITY: 500 CYCLES MIN

4. ENVIRONMENT:

- 4.1 THERMAL SHOCK: MIL-STD-202, METHOD 107, CONDITION B.
- 4.2 OPERATING TEMPERATURE: -55 TO 125 °C
- 4.3 SALT SPRAY: MIL-STD-202, METHOD 101, CONDITION B
- 4.4 SHOCK: MIL-STD-202, METHOD 213, CONDITION I
- 4.5 VIBRATION: MIL-STD-202, METHOD 204, CONDITION D
- 4.6 MOISTURE RESISTANCE: MIL-STD-202, METHOD 106



	Model No. 148-0801-301/310	Johnson	
	RoHS2 2011/65/EU	Title: END LAUNCH PLUG, SCREW-ON TYPE: 1.85mm	
	Drawn By Betty Yu	148-0801-301/310	Rev. 001
	Date: 12/12/2017	Scale: C	Sheet: 1 of 1