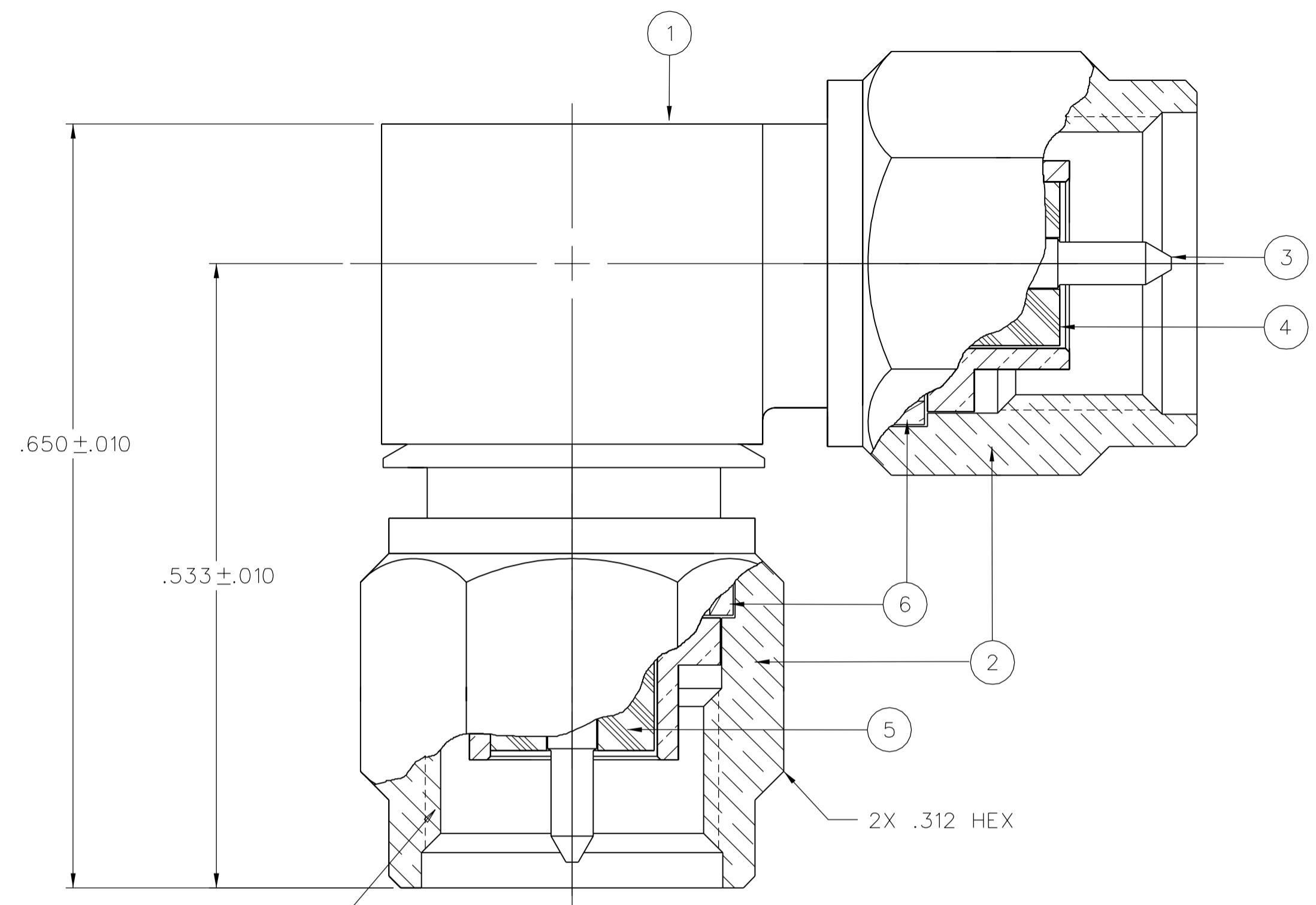


PART NUMBER	ITEM ① BODY SUBASSEMBLY	ITEM ② NUT	ITEM ③ CONTACT - ONE PIECE	ITEM ④ INSULATOR TEFLON	ITEM ⑤ INSULATOR TEFLON	ITEM ⑥ RETENTION SPRING BERYLLIUM COPPER UNPLATED
142-0901-931	BRASS GOLD PL .00001 MIN OVER NICKEL PL .00005 MIN OVER COPPER PL .00005 MIN	BRASS GOLD PL .00001 MIN OVER NICKEL PL .00005 MIN OVER COPPER PL .00005 MIN	BRASS GOLD PL .00005 MIN OVER NICKEL PL .00005 MIN OVER COPPER PL .00005 MIN			

DRAWING NO. C - 142-0901-931/940	
0	REVISIONS
ENGINEERING RELEASE	
1	10-30-98 R H S K T R J B ECN 46002
UPDATE BASE GRAPHICS FOR REV.2 ECO ADDING SOLDER FILLET 30° SHOULDER.	
***** * REVISION NUMBER FOLLOWED BY AN ALPHA * * CHARACTER INDICATES DRAWING CLARIF- * CATION OR PART NUMBER ADDITION ONLY. * *****	
1a	2-16-09 P T B M J 3-27-09 A A L F U ECN 51842



NOTES:

1. SPECIFICATIONS:

IMPEDANCE: 50 OHMS
 FREQUENCY RANGE: 0-18 GHz
 VSWR: 1.035+.02F (F IN GHZ)
 WORKING VOLTAGE: 500 VRMS MAX AT SEA LEVEL
 DIELECTRIC WITHSTANDING VOLTAGE: 1500 VRMS MIN AT SEA LEVEL
 INSULATION RESISTANCE: 5000 MEGOHM MIN
 CONTACT RESISTANCE:
 CENTER CONTACT - INITIAL 4.0 MILLIOHM MAX, AFTER ENVIRONMENTAL 6.0 MILLIOHM MAX
 OUTER CONDUCTOR - INITIAL 2.0 MILLIOHM MAX AFTER ENVIRONMENTAL NOT APPLICABLE
 BRAID TO BODY - NOT APPLICABLE
 CORONA LEVEL: 375 VOLTS MIN AT 70,000 FEET
 INSERTION LOSS: .06√F (F IN GHZ) AT 6 GHZ
 RF LEAKAGE: NOT APPLICABLE
 RF HIGH POTENTIAL WITHSTANDING VOLTAGE: 1000 VRMS AT 4 AND 7 MHZ

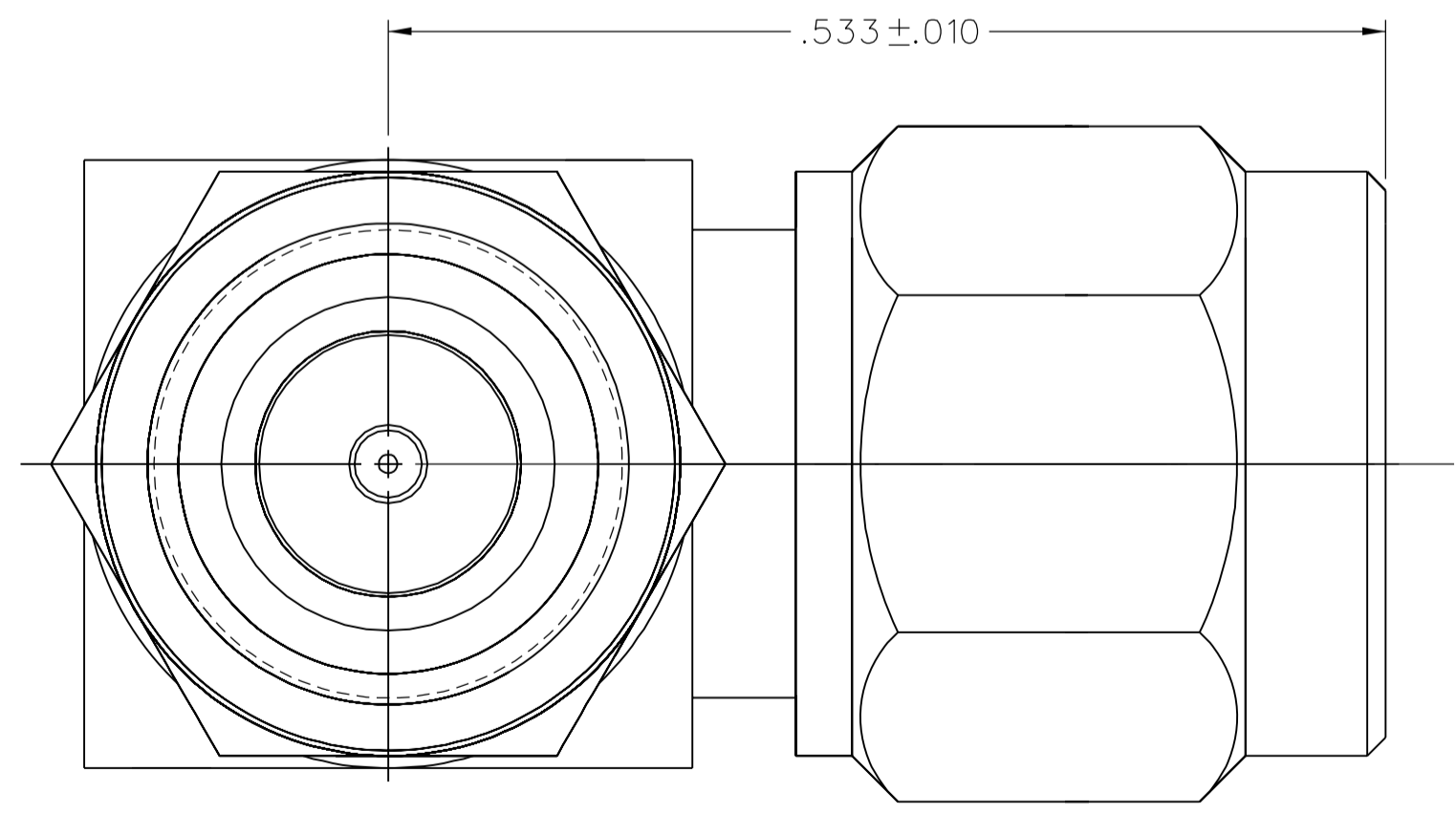
MECHANICAL:

ENGAGE/DISENGAGE TORQUE: 2 INCH-POUNDS MAX
 MATING TORQUE: 7-10 INCH POUNDS
 COUPLING PROOF TORQUE: 15 IN-LB MIN
 COUPLING NUT RETENTION: 60 LBS MIN
 CONTACT RETENTION: 6 LBS MIN AXIAL FORCE
 4 IN-OZ MIN RADIAL TORQUE

CABLE ACCEPTABILITY: NOT APPLICABLE
 CABLE HEX CRIMP SIZE: NOT APPLICABLE
 CABLE RETENTION: NOT APPLICABLE
 DURABILITY: 500 CYCLES MIN

ENVIRONMENTAL:

(MEETS OR EXCEEDS THE APPLICABLE PARAGRAPH OF MIL-PRF-39012)
 THERMAL SHOCK: MIL-STD-202, METHOD 107, CONDITION B
 OPERATING TEMPERATURE: -65 DEG C TO 165 DEG C
 CORROSION: MIL-STD-202, METHOD 101, CONDITION B
 SHOCK: MIL-STD-202, METHOD 213, CONDITION I
 VIBRATION: MIL-STD-202, METHOD 204, CONDITION D
 MOISTURE RESISTANCE: MIL-STD-202, METHOD 106



CUSTOMER DRAWING

THIS DRAWING TO BE INTERPRETED PER ASME Y 14.5M - 1994

"μ STATION"

COMPANY CONFIDENTIAL

TOLERANCE UNLESS OTHERWISE SPECIFIED	DRAWN BY KAS	DATE 12-22-97	TITLE SMA RA IN SERIES PLUG-PLUG ADAPTER
DECIMALS _____ mm	CHECKED BY TAK	DATE 11-5-98	
.XX _____	APPROVED BY RJB	DATE 11-5-98	SHEET 2 OF 2
.XXX ±.003 _____	RELEASE DATE 11-9-98	SCALE 10:1	
MATL _____	U/M	INCH	DRAWING NO. C - 142-0901-931/940
FINISH _____			

