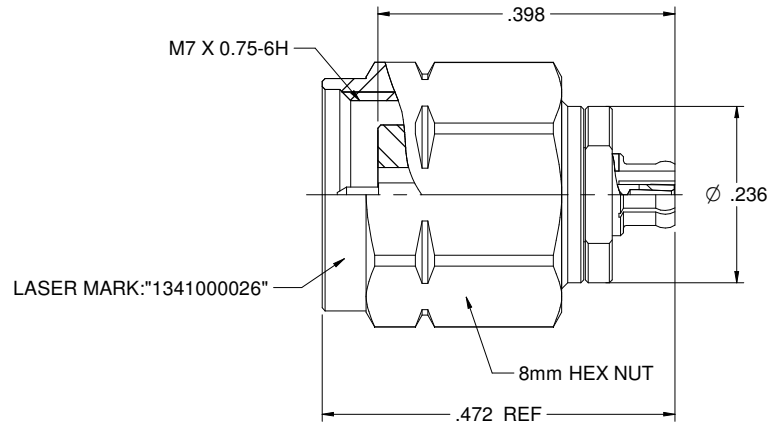


MODEL NO.	PACKAGING
134-1000-026	ONE PCS PER BAG

REV	ECO	DATE
001	ECO-17-0003	12/18/2017



NOTES: UNLESS OTHERWISE SPECIFIED

1. MATERIAL & FINISH:

- 1.1 BODY & SHELL: PASSIVATED STAINLESS STEEL
- 1.2 CONTACT PIN& CONTACT BODY: GOLD PLATED BERYLLIUM COPPER
- 1.3 INSULATOR: ULTEM 1000 AMBER
- 1.4 C RING: BERYLLIUM COPPER
- 1.5 GASKET: SILICONE RED

2. ELECTRICAL:

- 2.1 IMPEDANCE: 50 OHMS
- 2.2 FREQUENCY RANGE: 0-67 GHz
- 2.3 VOLTAGE STANDING WAVE RATIO: 1.25 MAX
- 2.4 CONTACT RESISTANCE: CENTER CONTACT: 6 MILLIOHMS MAX  
OUTER CONTACT: 2.5 MILLIOHMS MAX
- 2.5 DIELECTRIC WITHSTANDING VOLTAGE: 325VRMS MIN
- 2.6 INSULATION RESISTANCE: 5000 MOHM MIN

3. MECHANICAL:

- 3.1 ENGAGEMENT FORCE: 0.23 NM MAX (1.85MM)  
FULL DETENT: 19 N MAX, SMOOTH BORE: 11 N MAX (SMPM)
- 3.2 DISENGAGEMENT FORCE: 0.23 NM MAX (1.85MM)  
FULL DETENT: 29 N MAX, SMOOTH BORE: 11N MAX (SMPM)
- 3.3 COUPLING PROOF TORQUE: 1.65 NM MIN
- 3.4 COUPLING NUT RETENTION: 267 N MIN
- 3.5 CONTACT RETENTION: 20 N MIN
- 3.6 DURABILITY: 500 CYCLES MIN (1.85MM)  
FULL DETENT: 100 CYCLES MIN, SMOOTH BORE: 500 CYCLES MIN (SMPM)

4. ENVIRONMENT:

- 4.1 THERMAL SHOCK: MIL-STD-202, METHOD 107, CONDITION B.
- 4.2 OPERATING TEMPERATURE: -55 TO 125°C
- 4.3 SALT SPRAY: MIL-STD-202, METHOD 101, CONDITION B
- 4.4 SHOCK: MIL-STD-202, METHOD 213, CONDITION I
- 4.5 VIBRATION: MIL-STD-202, METHOD 204, CONDITION D
- 4.6 MOISTURE RESISTANCE: MIL-STD-202, METHOD 106

	Model No. 134-1000-026	<b>Johnson</b>	
		Title: ADAPTER ASSEMBLY, 1.85mm PLUG TO SMPM JACK	
<small>THE INFORMATION CONTAINED HEREIN IS UNCLASSIFIED EXCEPT WHERE SHOWN OTHERWISE. IT IS THE PROPERTY OF CINCH CONNECTIVITY CORPORATION AND IS TO BE USED ONLY FOR THE PURPOSES SPECIFIED IN THE DRAWING.</small>	<small>XXXX - 02</small> <small>XXXXX - 01</small> <small>ANGLES - 45°</small>	<small>DATE</small> 12/12/2017	<small>SIZE</small> C
<small>DO NOT SCALE DRAWING</small>	<small>INTERPRETED BY</small> NONE	<small>DRAWING</small> NONE	<small>REV</small> 001
<small>Sheet 1 of 1</small>			