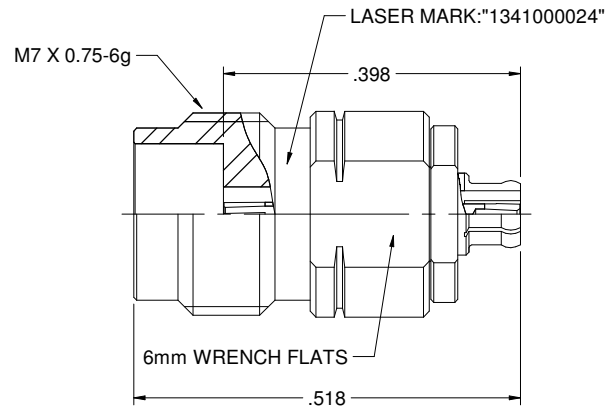


MODEL NO.	PACKAGING
134-1000-024	ONE PCS PER BAG

REV	ECO	DATE
001	ECO-17-0003	12/18/2017



NOTES: UNLESS OTHERWISE SPECIFIED

1. MATERIAL & FINISH:

- 1.1 BODY: PASSIVATED STAINLESS STEEL
- 1.2 CONTACT PIN& CONTACT BODY: GOLD PLATED BERYLLIUM COPPER
- 1.3 INSULATOR: ULTEM 1000 AMBER

2. ELECTRICAL:

- 2.1 IMPEDANCE: 50 OHMS
- 2.2 FREQUENCY RANGE: 0-67 GHz
- 2.3 VOLTAGE STANDING WAVE RATIO: 1.25 MAX
- 2.4 CONTACT RESISTANCE: CENTER CONTACT: 6 MILLIOHMS MAX
OUTER CONTACT: 2.5 MILLIOHMS MAX
- 2.5 DIELECTRIC WITHSTANDING VOLTAGE: 325VRMS MIN
- 2.6 INSULATION RESISTANCE: 5000 MOHM MIN

3. MECHANICAL:

- 3.1 ENGAGEMENT FORCE: 0.23 NM MAX (1.85MM)
FULL DETENT: 19 N MAX, SMOOTH BORE: 11 N MAX (SMPM)
- 3.2 DISENGAGEMENT FORCE: 0.23 NM MAX (1.85MM)
FULL DETENT: 29 N MAX, SMOOTH BORE: 11N MAX (SMPM)
- 3.3 CONTACT RETENTION: 20 N MIN
- 3.4 DURABILITY: 500 CYCLES MIN (1.85MM)
FULL DETENT: 100 CYCLES MIN, SMOOTH BORE: 500 CYCLES MIN (SMPM)

4. ENVIRONMENT:

- 4.1 THERMAL SHOCK: MIL-STD-202, METHOD 107, CONDITION B.
- 4.2 OPERATING TEMPERATURE: -55 TO 125°C
- 4.3 SALT SPRAY: MIL-STD-202, METHOD 101, CONDITION B
- 4.4 SHOCK: MIL-STD-202, METHOD 213, CONDITION I
- 4.5 VIBRATION: MIL-STD-202, METHOD 204, CONDITION D
- 4.6 MOISTURE RESISTANCE: MIL-STD-202, METHOD 106

	Model No. 134-1000-024	Johnson	
		Title: ADAPTER ASSEMBLY, 1.85mm JACK TO SMPM JACK	
<small>THIS DRAWING IS THE PROPERTY OF CINCH CONNECT. IT IS TO BE USED ONLY FOR THE PROJECT AND QUANTITY SPECIFIED. IT IS NOT TO BE REPRODUCED OR TRANSMITTED IN ANY FORM OR BY ANY MEANS, ELECTRONIC OR MECHANICAL, INCLUDING PHOTOCOPYING, RECORDING, OR BY ANY INFORMATION STORAGE AND RETRIEVAL SYSTEM. WITHOUT PERMISSION IN WRITING FROM CINCH CONNECT, THIS DRAWING IS TO BE DESTROYED.</small>	<small>DATE: 12/12/2017</small> <small>SCALE: C</small> <small>DO NOT SCALE DRAWING</small>	<small>DRAWN BY: Betty Yu</small> <small>DATE: 12/12/2017</small> <small>SIZE: C</small> <small>DO NOT SCALE DRAWING</small>	<small>REV: 001</small> <small>DATE: 12/18/2017</small> <small>ECO: ECO-17-0003</small> <small>DATE: 12/18/2017</small>