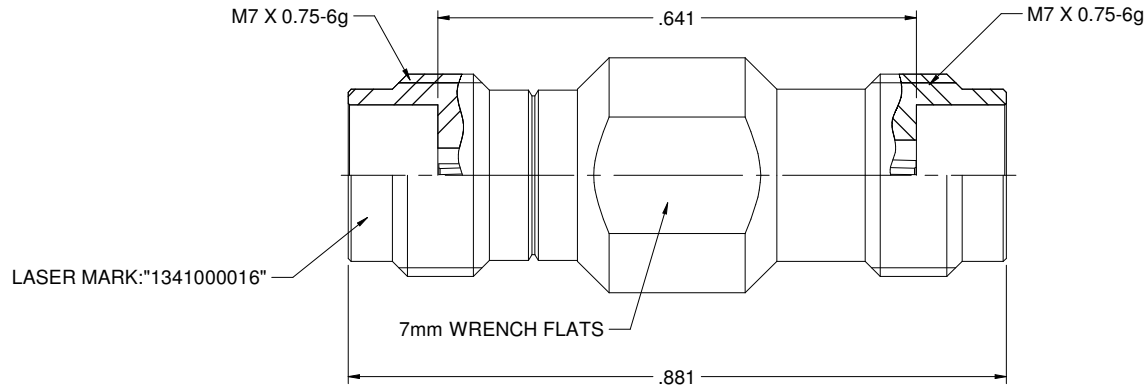


MODEL NO.	PACKAGING
134-1000-016	ONE PCS PER BAG

REV	ECO	DATE
001	ECO-17-0003	12/18/2017



NOTES: UNLESS OTHERWISE SPECIFIED

1. MATERIAL & FINISH:

- 1.1 BODY: PASSIVATED STAINLESS STEEL
- 1.2 CONTACT PIN : GOLD PLATED BERYLLIUM COPPER
- 1.3 INSULATOR: ULTEM 1000 AMBER

2. ELECTRICAL:

- 2.1 IMPEDANCE: 50 OHMS
- 2.2 FREQUENCY RANGE: 0-50 GHz
- 2.3 DIELECTRIC WITHSTANDING VOLTAGE: 500 VRMS MIN
- 2.4 VOLTAGE STANDING WAVE RATIO: DC- 26.5 GHZ: 1.06MAX
26.5 - 40 GHZ: 1.10 MAX
40 - 50 GHZ: 1.15 MAX
- 2.5 CONTACT RESISTANCE: CENTER CONTACT: 4 MILLIOHMS MAX
OUTER CONTACT: 2.5 MILLIOHMS MAX
- 2.6 INSULATION RESISTANCE: 5000 MOHM MIN

3. MECHANICAL:

- 3.1 ENGAGEMENT/ DISENGAGEMENT FORCE: 0.23 NM MAX
- 3.2 CONTACT RETENTION: 20 N MIN
- 3.3 DURABILITY: 500 CYCLES MIN

4. ENVIRONMENT:

- 4.1 THERMAL SHOCK: MIL-STD-202, METHOD 107, CONDITION B.
- 4.2 OPERATING TEMPERATURE: -55 TO 125°C
- 4.3 SALT SPRAY: MIL-STD-202, METHOD 101, CONDITION B
- 4.4 SHOCK: MIL-STD-202, METHOD 213, CONDITION I
- 4.5 VIBRATION: MIL-STD-202, METHOD 204, CONDITION D
- 4.6 MOISTURE RESISTANCE: MIL-STD-202, METHOD 106

	Model No. 134-1000-016	Johnson	
	RoHS2 2011/65/EU COMPLIANT	Title: ADAPTER ASSEMBLY, 1.85mm JACK TO 2.4mm JACK	Drawing No. 134-1000-016 Rev. 001
APPROVED DRAWING IN ACCORDANCE WITH MIL-STD-883C, REV. 10/16	XXXX-02 XXXX-01 ANGLES: 45°	Date: 12/12/2017 Size: C DO NOT SCALE DRAWING	12/12/2017 NONE Sheet 1 of 1