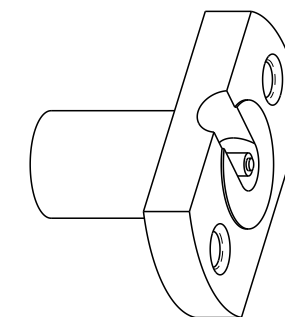
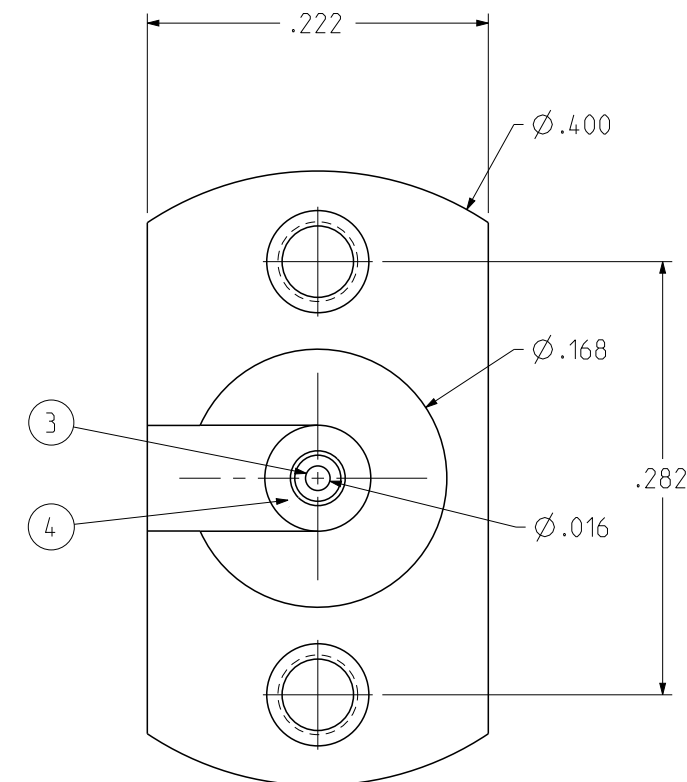
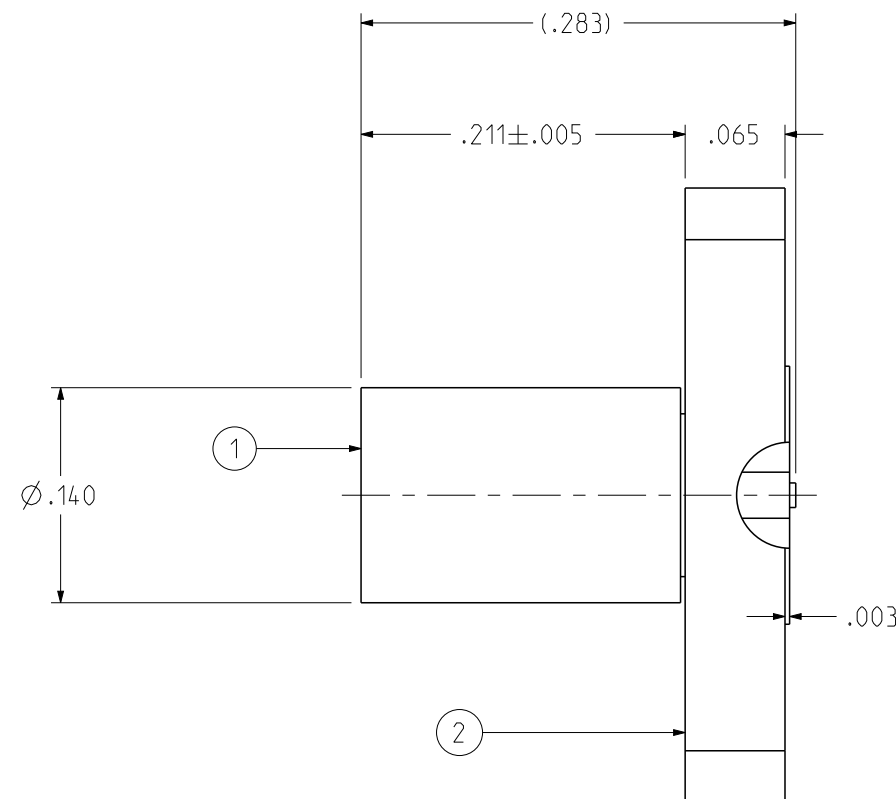


PART NUMBER	ITEM ① BODY	ITEM ② REAR BODY	ITEM ③ CONTACT	ITEM ④ INSULATOR
125-0701-251	BERYLLIUM COPPER GOLD PL .00005 MIN OVER NICKEL PL .00005 MIN OVER COPPER PL .00005 MIN	BRASS GOLD PL .00003 MIN OVER NICKEL PL .00005 MIN OVER COPPER PL .00005 MIN	BERYLLIUM COPPER GOLD PL .00005 MIN OVER NICKEL PL .00005 MIN OVER COPPER PL .00005 MIN	TEFLON

REV	ECO	DATE
1	INITIAL RELEASE	07AUG2019
2	EC-1911009	10APR2020
3	EC-2004015	14APR2020



SCALE 4:1

NOTES:

1. ELECTRICAL SPECIFICATIONS:

- 1.1 IMPEDANCE: 50 OHMS NOMINAL
- 1.2 FREQUENCY RANGE: DC-65 GHz
- 1.3 VSWR: 1.40 TYPICAL DC-50 GHz
- 1.4 INSERTION LOSS: $0.12 \sqrt{F}$ dB MAX (F IN GHz)
- 1.5 WORKING VOLTAGE: 325 VRMS MAX AT SEA LEVEL
- 1.6 DIELECTRIC WITHSTANDING VOLTAGE: 325 VRMS MIN AT SEA LEVEL
- 1.7 INSULATION RESISTANCE: 5000 MEGOHM MIN
- 1.8 CONTACT RESISTANCE:
 - 1.8.1 CENTER CONTACT - INITIAL 6.0 MILLIOHM MAX, AFTER ENVIRONMENTAL NOT APPLICABLE
 - 1.8.2 OUTER CONDUCTOR - INITIAL 2.0 MILLIOHM MAX, AFTER ENVIRONMENTAL NOT APPLICABLE
- 1.9 RF LEAKAGE: -65 dB TYPICAL AT 3GHz

2. MECHANICAL SPECIFICATIONS:

- 2.1 INTERFACE DESIGN: IN ACCORDANCE WITH MIL-STD-348A, SERIES SMPM
- 2.2 ENGAGEMENT FORCE: FULL DETENT(FD) 4.5LBS TYPICAL; SMOOTH BORE(SB) 2.5LBS TYPICAL
- 2.3 DISENGAGEMENT FORCE: FD 6.5LBS TYPICAL; SB 1.5LBS TYPICAL
- 2.4 CONTACT RETENTION: 1.5 LBS MIN AXIAL FORCE
- 2.5 DURABILITY: FD 100 CYCLES MIN; SB 500 CYCLES MIN

3. ENVIRONMENTAL:

- 3.1 OPERATING TEMPERATURE: -65 °C TO 165 °C
- 3.2 THERMAL SHOCK: MIL-STD-202, METHOD 107, CONDITION B
- 3.3 MECHANICAL SHOCK: MIL-STD-202, METHOD 213, CONDITION I
- 3.4 CORROSION: MIL-STD-202, METHOD 101
- 3.5 VIBRATION: MIL-STD-202, METHOD 204
- 3.6 MOISTURE: MIL-STD-202, METHOD 106, EXCEPT STEP 7B

<p>This PROPRIETARY Document is property of Cinch Connectivity Solutions. It is confidential in nature, non-transferable, and issued with the clear understanding that it is not traced or copied without permission and is returnable upon demand.</p> <p>INTERPRET DRAWING IN ACCORDANCE WITH ASME Y14.5-2009.</p>	Model No: 125-0701-251/260	JOHNSON	
	RoHS <input checked="" type="checkbox"/> (EU)/2015/863 COMPLIANT	Cage Code 3RD ANGLE PROJECTION	Title: 2-HOLE FLANGE MOUNT JACK, PCB COMPRESSION MOUNT, VERTICAL LAUNCH, SIDE GROOVE, FULL DETENT SMPM
UNLESS OTHERWISE SPECIFIED UNITS: INCH .XX ± .01 .XXX ± .003 .XXXX ± .0010 ANGLE ± 2°	Drawn by: ROMAN.YAO	Drawing No. 125-0701-251/260	REV. 3
Date: 08/07/2019	Size B	DO NOT SCALE DRAWING	Workmanship Std/Sheet NONE 1 OF 1