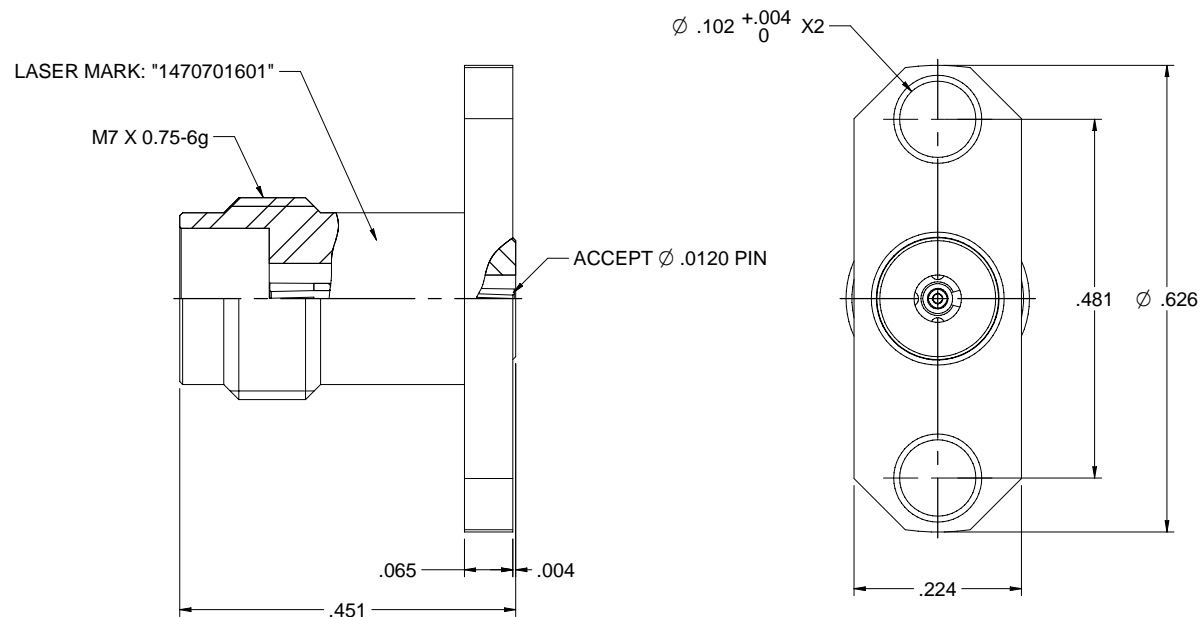


MODEL NO.	PACKAGING
147-0701-601	ONE PCS PER BAG

REV	ECO	DATE
001	ECO-17-002	11/28/2017
002	ECO-18-003	08/21/2018



NOTES: UNLESS OTHERWISE SPECIFIED

1. MATERIAL & FINISH:

- 1.1 BODY: PASSIVATED STAINLESS STEEL
- 1.2 CONTACT PIN : GOLD PLATED BERYLLIUM COPPER
- 1.3 INSULATOR: ULTEM 1000 AMBER
- 1.4 LOCK RING: GOLD PLATED BRASS

2. ELECTRICAL:

- 2.1 IMPEDANCE: 50 OHMS
- 2.2 FREQUENCY RANGE: DC-50 GHz
- 2.3 VOLTAGE STANDING WAVE RATIO: 1.2 MAX
- 2.4 CONTACT RESISTANCE:
  - 2.4.1 CENTER CONTACT: 4 MILLIOHM MAX
  - 2.4.2 OUTER CONTACT: 2.5 MILLIOHM MAX
- 2.5 INSULATION RESISTANCE: 5000 MOHM MIN
- 2.6 DIELECTRIC WITHSTANDING VOLTAGE: 500 VRMS MIN

3. MECHANICAL:

- 3.1 ENGAGEMENT/ DISENGAGEMENT FORCE: 0.23 NM MAX
- 3.2 CONTACT RETENTION: 20 N MIN
- 3.3 DURABILITY: 500 CYCLES MIN

4. ENVIRONMENT:

- 4.1 THERMAL SHOCK: MIL-STD-202, METHOD 107, CONDITION B.
- 4.2 OPERATING TEMPERATURE: -65 TO 165°C
- 4.3 SHOCK: MIL-STD-202, METHOD 213, CONDITION I
- 4.4 VIBRATION: MIL-STD-202, METHOD 204, CONDITION D
- 4.5 MOISTURE RESISTANCE: MIL-STD-202, METHOD 106

	Model No. 147-0701-601	<b>Johnson</b>	
		TITLE: PANEL RECEPTACLE JACK, 2 HOLE FLANGE, ACCEPTS 0.905mm PIN, 2.4mm	
	DRAWN BY: Betty Yu DATE: 08/21/2018	DRAWING NO. 147-0701-601 SIZE: C	REV. 002 NONE
	DO NOT SCALE DRAWINGS	NONE	Sheet 1 of 1