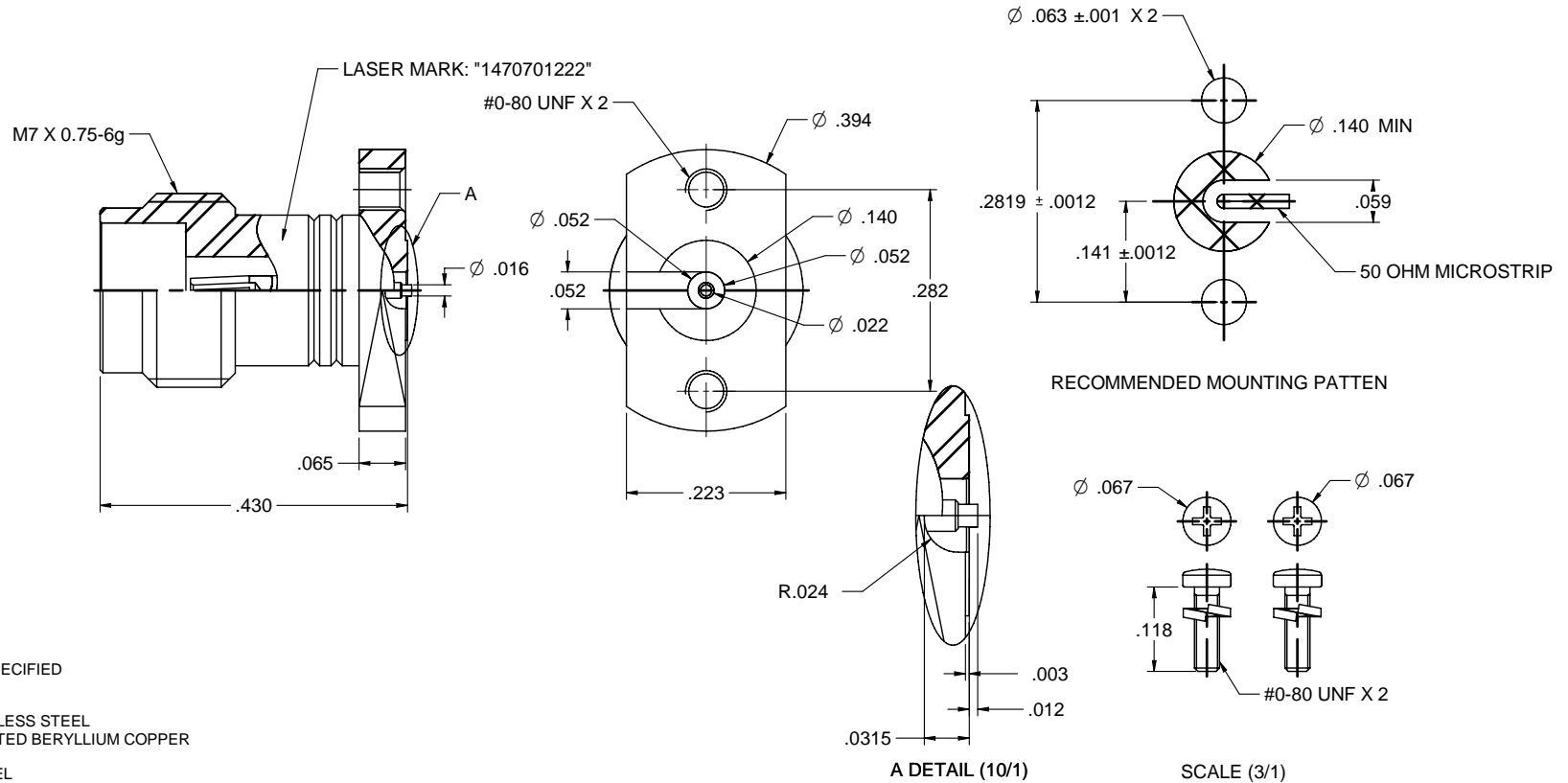


MODEL NO.	PACKAGING
147-0701-222	ONE PCS PER BAG

REV	ECO	DATE
001	ECO-19-001	08/29/2019



NOTES: UNLESS OTHERWISE SPECIFIED

1. MATERIAL & FINISH:

- 1.1 BODY: PASSIVATED STAINLESS STEEL
- 1.2 CONTACT PIN : GOLD PLATED BERYLLIUM COPPER
- 1.3 INSULATOR: PTFE WHITE
- 1.4 WASHER: STAINLESS STEEL
- 1.5 BOLT: SUS302

2. ELECTRICAL:

- 2.1 IMPEDANCE: 50 OHMS
- 2.2 FREQUENCY RANGE: DC-50 GHZ
- 2.3 INSULATION RESISTANCE: 5000 MOHM MIN
- 2.4 CONTACT RESISTANCE:
 - 2.4.1 CENTER CONTACT: 4 MILLIOHM MAX
 - 2.4.2 OUTER CONTACT: 2.5 MILLIOHM MAX
- 2.5 DIELECTRIC WITHSTANDING VOLTAGE: 500VRMS MIN
- 2.6 VOLTAGE STANDING WAVE RATIO (VSWR): 1.8 MAX

3. MECHANICAL:

- 3.1 ENGAGEMENT/ DISENGAGEMENT FORCE: 0.23 NM MAX
- 3.2 CONTACT RETENTION: 12 N MIN
- 3.3 DURABILITY: 500 CYCLES MIN

4. ENVIRONMENT:

- 4.1 THERMAL SHOCK: MIL-STD-202, METHOD 107, CONDITION B.
- 4.2 OPERATING TEMPERATURE: -65 TO 165°C
- 4.3 SHOCK: MIL-STD-202, METHOD 213, CONDITION I
- 4.4 VIBRATION: MIL-STD-202, METHOD 204, CONDITION D
- 4.5 MOISTURE RESISTANCE: MIL-STD-202, METHOD 106

1. BOARD THICKNESS: 1.57-2.79mm

	Model No.	147-0701-221/230	
	RoHS	2011MS-ELU	
XXXX-02 XXXXX-01 ANGLES-90°	Date	08/28/2019	Size G Scale NONE Sheet 1 of 1