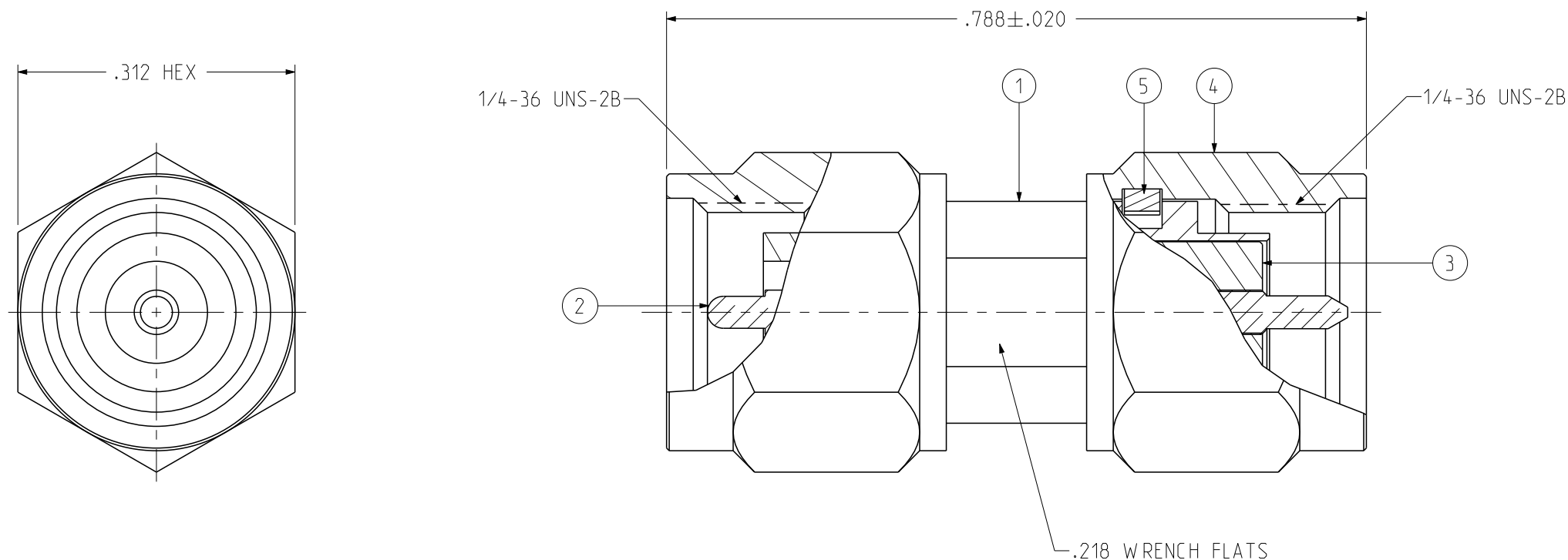


PART NUMBER	ITEM ① BODY	ITEM ② CONTACT	ITEM ③ INSULATOR	ITEM ④ COUPLING NUT	ITEM ⑤ COUPLING SPRING
134-1010-007	BRASS GOLD PL .00003 MIN OVER NICKEL PL .00005 MIN OVER COPPER	BERYLLIUM COPPER GOLD PL .00005 MIN OVER NICKEL PL .00005 MIN OVER COPPER	TEFLON	BRASS GOLD PL .00001 MIN OVER NICKEL PL .00005 MIN OVER COPPER PL .00005 MIN	BERYLLIUM COPPER UNPLATED

REV	ECO	DATE
1	INITIAL RELEASE	23APR2023
2	EC-2311012	29NOV2023



NOTES:

1. ELECTRICAL SPECIFICATIONS:

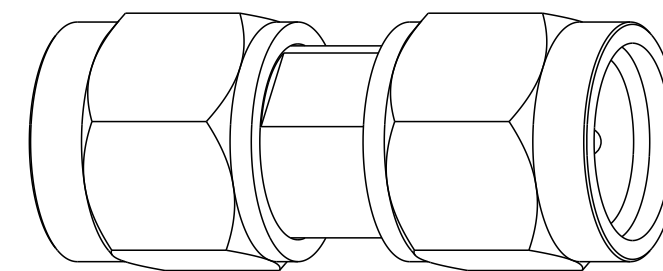
- 1.1 IMPEDANCE: 50 OHMS
- 1.2 FREQUENCY RANGE: DC-26.5 GHz
- 1.3 VSWR: 1.15 MAX.
- 1.4 WORKING VOLTAGE: 250 VRMS MAX AT SEA LEVEL
- 1.5 DIELECTRIC WITHSTANDING VOLTAGE: 750 VRMS MIN AT SEA LEVEL
- 1.6 INSULATION RESISTANCE: 5000 MEGOHM MIN
- 1.7 CONTACT RESISTANCE:
  - 1.7.1 CENTER CONTACT - INITIAL 3 MILLIOHM MAX, AFTER ENVIRONMENTAL NOT APPLICABLE
  - 1.7.2 OUTER CONDUCTOR - INITIAL 2 MILLIOHM MAX, AFTER ENVIRONMENTAL NOT APPLICABLE

2. MECHANICAL SPECIFICATIONS:

- 2.1 ENGAGEMENT/DISENGAGEMENT FORCE: 2 INCH-POUNDS MAX
- 2.2 MATING TORQUE: 7 TO 10 INCH-POUNDS MAX
- 2.3 DURABILITY: 500 CYCLES MIN

3. ENVIRONMENTAL:

- 3.1 THERMAL SHOCK: MIL-STD-202, METHOD 107, CONDITION B
- 3.2 OPERATING TEMPERATURE: -65 °C TO 165 °C
- 3.3 CORROSION: MIL-STD-202, METHOD 101, CONDITION B
- 3.4 SHOCK: MIL-STD-202, METHOD 213, CONDITION B
- 3.5 VIBRATION: MIL-STD-202, METHOD 204, CONDITION B
- 3.6 MOISTURE: MIL-STD-202, METHOD 106



SCALE 4:1

<p>This PROPRIETARY Document is property of Cinch Connectivity Solutions. It is confidential, in nature, non-transferable, and issued with the clear understanding that it is not traced or copied without permission and is returnable upon demand.</p> <p>INTERPRET DRAWING IN ACCORDANCE WITH ASME Y14.5-2018.</p>	Model No:	134-1010-007	JOHNSON		
	RoHS <input checked="" type="checkbox"/>	(EU)/2015/863 COMPLIANT	Cage Code	Title: ADAPTER, 2.92MM PLUG TO SMA PLUG, BRASS	
	UNLESS OTHERWISE SPECIFIED UNITS: INCH		3RD ANGLE PROJECTION	Drawing No. 134-1010-007	REV. 2
	.XX ± .01 .XXX ± .003 .XXXX ± .0010 ANGLE ± 2°	Drawn by: Roman.Yao	Date: 04/23/2023	Size B	DO NOT SCALE DRAWING