

NOTE:

1. FIBRE SIZE:  
9/125, 50/125 OR 62.5/125
2. FIBRE TYPE:  
2 CORE MIL-TAC D Ø5.0mm (BACKSHELL)  
900µm BUFFERED FIBRE (NO BACKSHELL)
3. MATERIAL:  
SHELL: STAINLESS STEEL 316, PASSIVATED  
BACKSHELL: ACETAL, BLACK
4. BACKSHELL CANNOT BE FITTED WHEN MOUNTING FROM FRONT

## CONNECTOR WITHOUT BACKSHELL

(SEE SHEET 2 FOR CONNECTOR WITH BACKSHELL)

A		FIRST ISSUE	GM	05/04/18
ISSUE	CHANGE DESCRIPTION		CHECKED	DATE
DRAWN	MATERIAL	FINISH	MILITARY: NO RATING : N/A	
MEH	SEE KIT LIST	SEE KIT LIST		
CHECKED				
GM				

UNLESS OTHERWISE STATED:  
ALL DIMENSIONS ARE IN mm

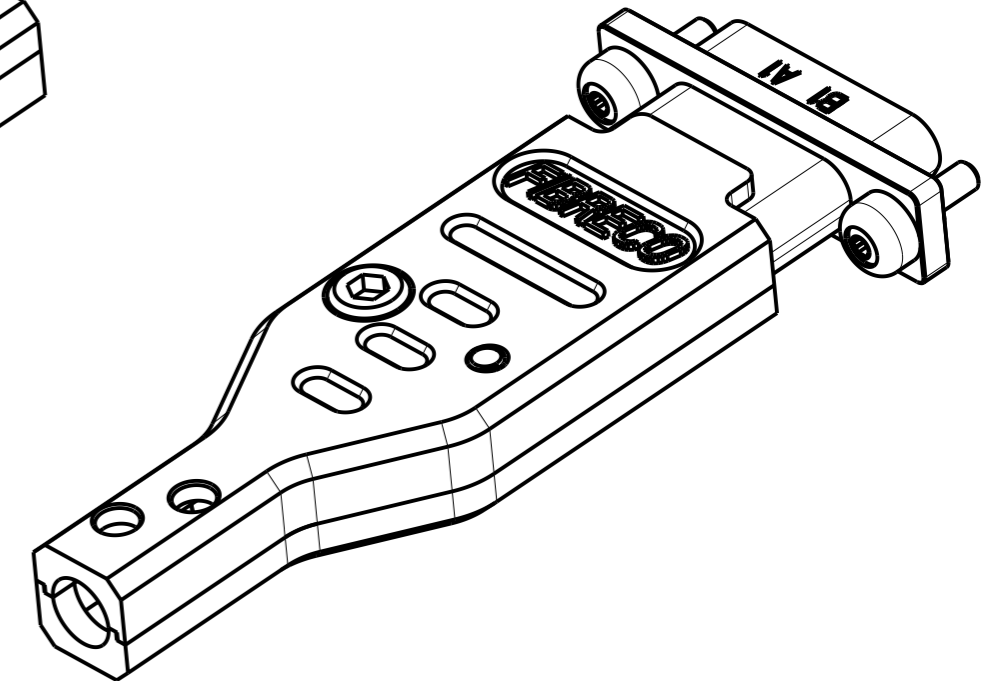
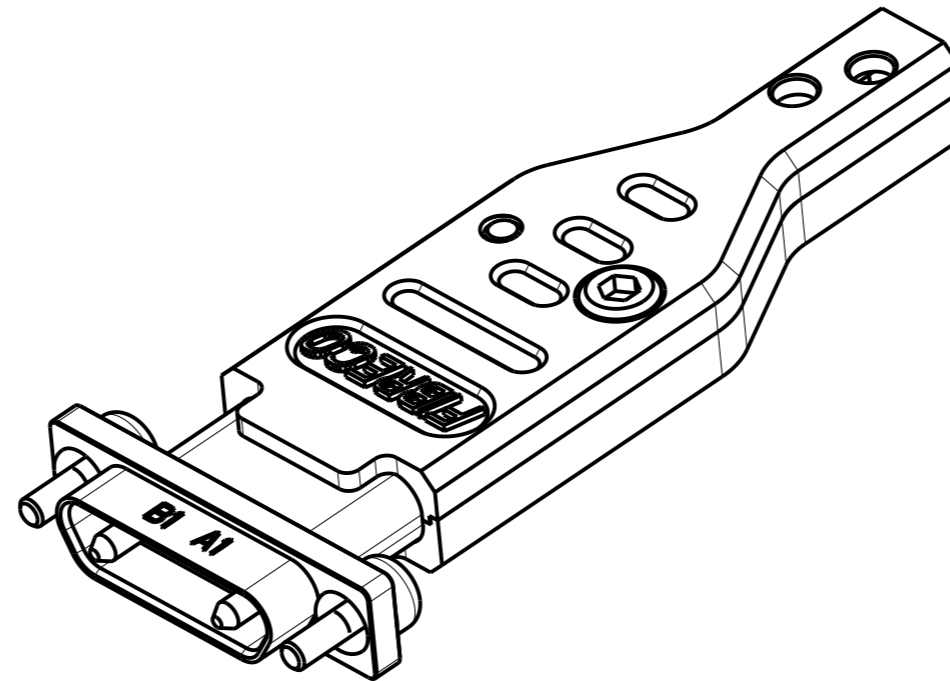
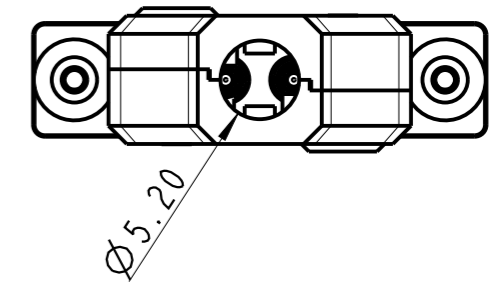
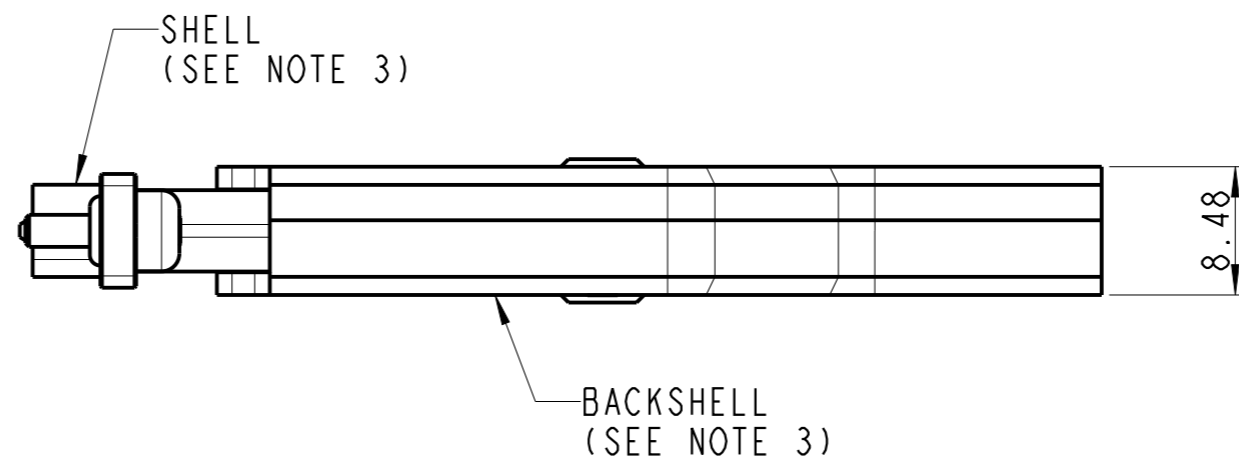
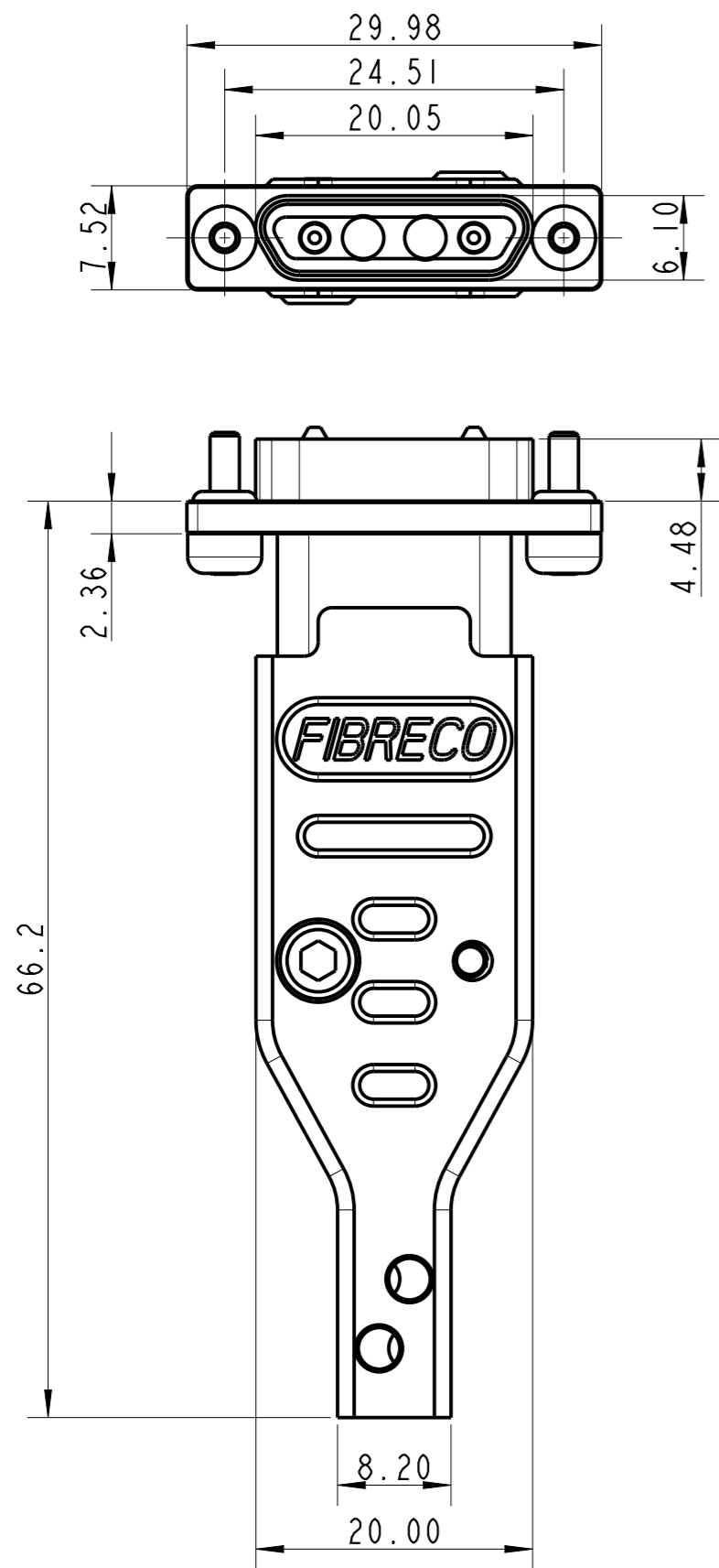
FIBRECO DRAWING TITLE  
HOUSING STANDARD FLANGE  
DURACON-EB SOCKET 2CH OUTLINE

CONFIDENTIAL - THE INFORMATION CONTAINED IN THIS DRAWING IS THE SOLE PROPERTY OF CINCH LTD. ANY REPRODUCTION IN PART OR AS A WHOLE WITHOUT THE WRITTEN PERMISSION OF CINCH LTD IS PROHIBITED

Cinch Connectivity Solutions LTD  
11 BILTON ROAD, CHELMSFORD, ESSEX. CMI 2UP  
TEL: +44 (0) 1245 342060

FIBRECO DRAWING NUMBER  
5491C

THIRD ANGLE  
ORIGINAL: A3  
SCALE: NTS  
SHEET 1  
OF 2



SEE SHEET 1 FOR NOTES

# CONNECTOR WITH BACKSHELL

(SEE SHEET 1 FOR CONNECTOR WITHOUT BACKSHELL)

A	FIRST ISSUE		GM	05/04/18
ISSUE	CHANGE DESCRIPTION		CHECKED	DATE
DRAWN MEH	MATERIAL SEE KIT LIST	FINISH SEE KIT LIST	MILITARY: NO RATING : N/A	
CHECKED GM				

UNLESS OTHERWISE STATED:  
ALL DIMENSIONS ARE IN mm

CONFIDENTIAL - THE INFORMATION  
CONTAINED IN THIS DRAWING IS THE  
SOLE PROPERTY OF CINCH LTD. ANY  
REPRODUCTION IN PART OR AS A WHOLE  
WITHOUT THE WRITTEN PERMISSION OF  
CINCH LTD IS PROHIBITED

**Cinch Connectivity Solutions LTD**  
11 BILTON ROAD, CHELMSFORD, ESSEX. CMI 2UP  
TEL: +44 (0) 1245 342060

THIRD ANGLE  
ORIGINAL: A3  
SCALE: NTS

FIBRECO DRAWING TITLE  
**HOUSING STANDARD FLANGE  
DURACON-EB SOCKET 2CH OUTLINE**

FIBRECO DRAWING NUMBER  
**5491C**

SHEET 2  
OF 2