

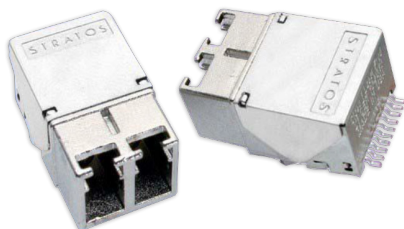
# LxP-LT12xx Low Profile Optical Transceiver

Infiniband (2.5Gbps) 3.3V, 1310nm FP Laser,  
Singlemode, Up to 10.0 Km

## Applications

The LxP-LT12xx singlemode optical fiber transceivers provide low profile, cost effective solutions for InfiniBand singlemode optical fiber data links with a duplex LC connector interface.

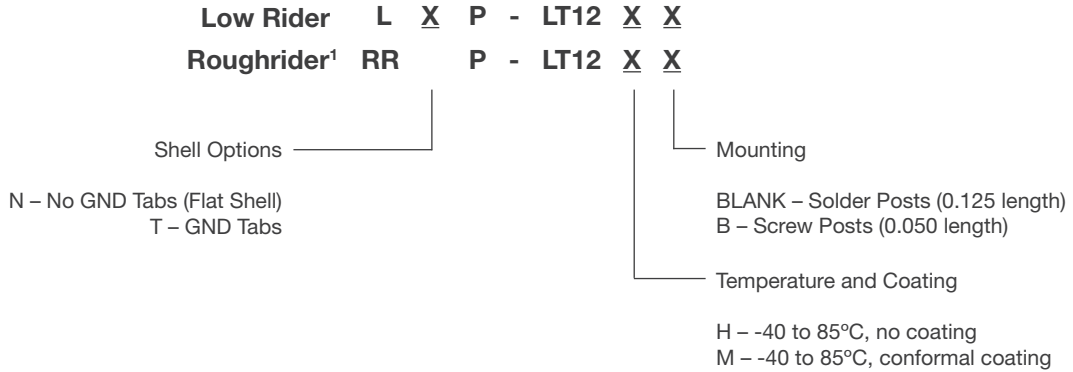
These transceivers are fully compliant with the InfiniBand standards but can be used for any other data communications purpose within their operating parameters.



## Features

- Low Profile Design - 0.386 inches max. height
- Surface mount I/O pins for high speed signal integrity
- All metal body, solder or screw mount options
- Industrial Temp Range, Vibration tolerant design
- RX data squelch on Signal Detect deassert
- Individual (separate) +3.3 V power supply per port
- Industry standard duplex singlemode LC receptacle
- Full compliance to InfiniBand requirements
- EN-60825/ IEC-825 / CDRH Class 1 Compliant
- Optional Parylene C Conformal Coating
- Optional addition of fiber pigtail

## Ordering Information



### Transmitters: VCCTX = 3.135V to 3.465V, T<sub>A</sub> = Operating Temperature Range

Parameter	Symbol	MIN	Typical	MAX	Unit
Optical Output Power <sup>1</sup>	P <sub>O</sub>	-10		-3	dBm
Extinction Ratio	ER		9		dB
Total Jitter	T <sub>J</sub>			85	pS
Optical Modulation Amplitude (p-p)	OMA	186			μW

1. BER=10<sup>-12</sup> @ 1.25Gbps, PRBS 2<sup>7</sup>-1, NRZ, Compliant with InfiniBand 1X-LX

### Receivers: VCCTX = 3.135V to 3.465V, T<sub>A</sub> = Operating Temperature Range

Parameter	Symbol	MIN	Typical	MAX	Unit
Optical Sensitivity <sup>1</sup>	P <sub>I</sub>	-18		-1.5	dBm
Optical Modulation Amplitude (p-p)	OMA	24			μW
Optical Return Loss	ORL	12			dB

1. BER=10<sup>-12</sup> @ 1.25Gbps, PRBS 2<sup>7</sup>-1, NRZ, Compliant with InfiniBand 1X-LX

For more information on this product consult the LxP-LT12xx product data sheet.