

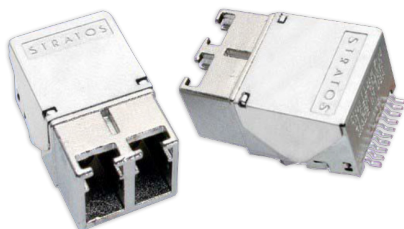
LxF-LP11xx Low Profile Optical Transceiver

Fast Ethernet Applications 3.3V, 1310nm LED,
Multimode, Up to 2.0Km

Applications

The LxF-LP11xx multimode glass optical fiber transceivers provide low profile, cost effective solutions for fast Ethernet multimode (up to 2.0 Km) optical fiber data links with a duplex LC connector interface.

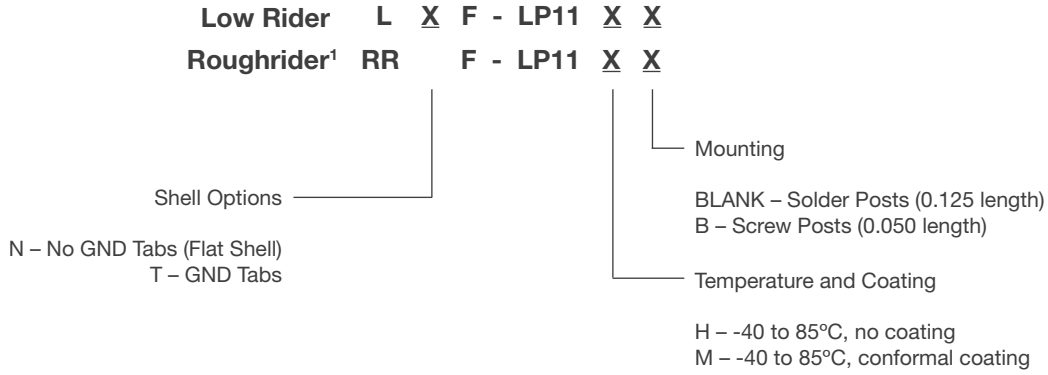
These transceivers are fully compliant with the IEEE 802.3u Fast Ethernet standard but can be used for any other data communications purpose within their operating parameters.



Features

- Low Profile Design - 0.386 inches max. height
- Surface mount I/O pins for high speed signal integrity
- All metal body, solder or screw mount options
- Industrial Temp Range, Vibration tolerant design
- RX data squelch on Signal Detect deassert
- Individual (separate) +3.3 V power supply per port
- Industry standard duplex multimode LC receptacle
- Full compliance to IEEE 802.3u Fast Ethernet
- EN-60825/ IEC-825 / CDRH Class 1 Compliant
- Optional Parylene C Conformal Coating
- Optional addition of fiber pigtail

Ordering Information



Transmitters: VCCTX = 3.15V to 3.45V, T_A = Operating Temperature Range

Parameter	Symbol	MIN	Typical	MAX	Unit
Optical Output Power ¹	P_o	-19.0		-14.0	dBm
Extinction Ratio	ER	13			dB

Receivers: VCCR_X = 3.15V to 3.45V, T_A = Operating Temperature Range

Parameter	Symbol	MIN	Typical	MAX	Unit
Optical Sensitivity	P_i	-32.0		-8.0	dBm

1. BER-10⁻¹⁰ @ 125Mbps, PRBS 2⁷-1, NRZ, Compliant with FDDI PMD ISO / IEC 9314-3 and IEEE-802.3u testing with 62.5 MM Fiber.

Link Distances

Application	Fiber Specification	Distance
Fast Ethernet – IEEE 802.3u	62.5/125 – 500MHz*Km	2.0Km
FDDI PMD ISO / IEC 9314-2	50/125 – 500MHz*Km	2.0Km

For more information on this product consult the LxF-LP11xx product data sheet.