

EBF-xRJ-xxVx 10/100BT FE Media Converter

For use with HMA Expanded Beam Optical Connector, Single
or Dual Fast Ethernet (125Mbps), RJ45 Interface, 1310nm
Multimode, Up to 2Km Link Distance

Applications

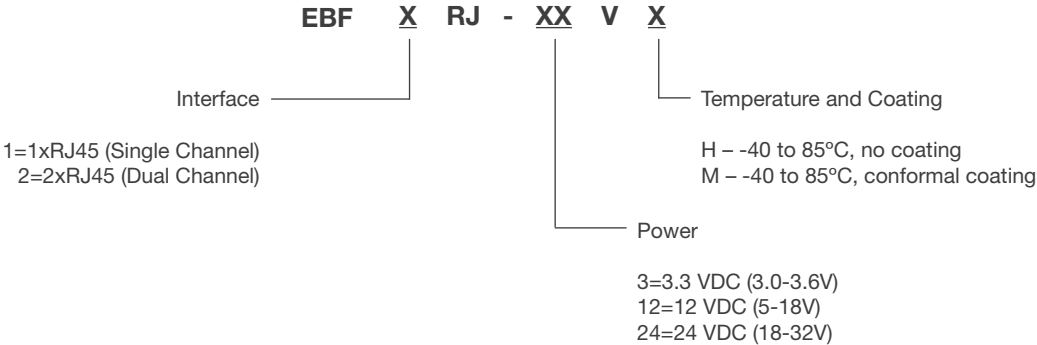
The EBF-xRJ-xxVx multimode optical media converters provide ruggedized stand alone conversion solutions for Fast Ethernet multimode links. The device accepts IEEE 802.3u electrical 10/100BT signals using standard RJ45 connection, and converts to 100BFX optical signals. The optical interface allows direct connection to any HMA Expanded Beam fiber cable.



Features

- Fast Ethernet Converter for Tactical Environments
- Single or Dual Ethernet Channels (2 or 4 Fiber)
- HMA Optical Connector Interface (100BFX)
- RJ45 Electrical Interface (10/100BT, Auto-negotiate)
- 3.3V, 12V, 24V DC Power Options, 2W Max
- Backshell LEDs for Power and Link Status
- Industrial Temp Range, Vibration Tolerant Design
- Compliant with IEEE 802.3 10/100BT and 100BFX
- EN-60825 / IEC-825 / CDRH Class 1 Compliant
- Optional Parylene C Conformal Coating

Ordering Information



Optical Performance: Fiber Type = 62.5/125µm, T_c = Operating Temperature Range

| Parameter | Symbol | MIN | Typical | MAX | Unit |
|----------------------------------|----------------|-----|---------|-----|------|
| Output Power ¹ | P _o | -15 | -11 | -8 | dBm |
| Transmit Extinction Ratio | ER | 9 | 12 | | dB |
| Receive Sensitivity ² | P _i | -32 | -34 | -8 | dBm |

1. Output Power measured @ 125Mbps, PRBS 2⁷-1, NRZ
 2. Receive Sensitivity at BER=10⁻¹² @ 125Mbps, PRBS 2⁷-1, NRZ

For more information on this product consult the EBF-xRJ-xxVx product data sheet.