

Commercial Grade Attenuators

CGA-1040 Series

Features

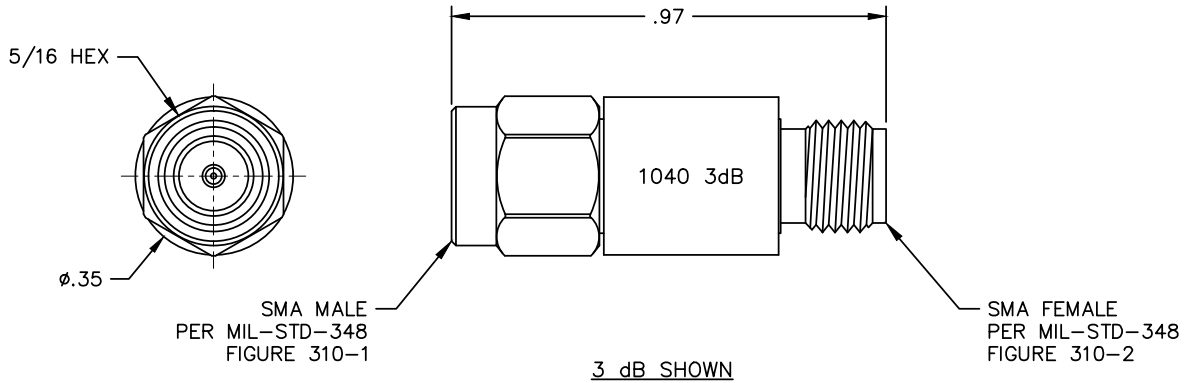
- Best combination of price and performance
- For general commercial use
- 4 GHz operation
- Passivated stainless steel construction
- SMA Male to SMA Female

Applications

- Cellular base stations
- Public safety systems
- Wi-Fi networks hardware
- Active antenna systems
- 5G network hardware
- GPS systems



Part Number	Attenuator	Attenuation	Power	Frequency
CGA-1040-01-SMA-02	SMA Male to SMA Female	1 dB	2W	DC-4GHz
CGA-1040-02-SMA-02	SMA Male to SMA Female	2 dB	2W	DC-4GHz
CGA-1040-03-SMA-02	SMA Male to SMA Female	3 dB	2W	DC-4GHz
CGA-1040-06-SMA-02	SMA Male to SMA Female	6 dB	2W	DC-4GHz
CGA-1040-10-SMA-02	SMA Male to SMA Female	10 dB	2W	DC-4GHz
CGA-1040-20-SMA-02	SMA Male to SMA Female	20 dB	2W	DC-4GHz



Commercial Grade Attenuators CGA-1040 Series

Materials

Housing	Passivated stainless steel
Coupling nut	Passivated stainless steel
Male Center Contact	Gold plated brass
Female Center Contact	Gold plated beryllium copper

Environmental

Operating Temperature	-65° to 85°C
-----------------------	--------------

Electrical

Frequency of Operation	DC-4GHz						
Impedance	50Ω (Nominal)						
Attenuation values available	1, 2, 3, 6, 10, 20 dB						
Attenuation Accuracy	<table border="1"> <tr> <td>1 and 2 dB</td> <td>±0.35 dB</td> </tr> <tr> <td>3 and 6 dB</td> <td>±0.40 dB</td> </tr> <tr> <td>10 and 20 dB</td> <td>±0.50 dB</td> </tr> </table>	1 and 2 dB	±0.35 dB	3 and 6 dB	±0.40 dB	10 and 20 dB	±0.50 dB
1 and 2 dB	±0.35 dB						
3 and 6 dB	±0.40 dB						
10 and 20 dB	±0.50 dB						
VSWR	1.18:1 (max.)						
Input Power (at 25°C)	2W (CW)						