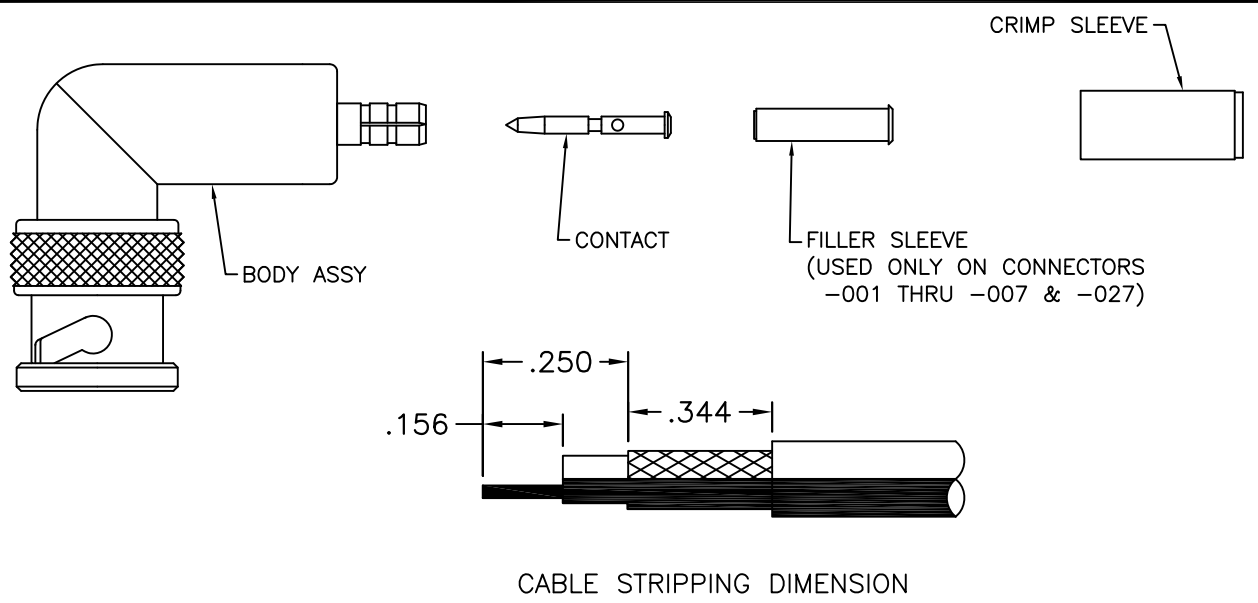


THE INFORMATION CONTAINED HEREON IS THE PROPERTY OF CINCH CONNECTIVITY SOLUTIONS, RECEIPT, POSSESSION OR TRANSMITTAL OF THIS DRAWING DOES NOT LICENSE OR IMPLY ANY RIGHT TO USE, SELL, PROTOTYPE OR MANUFACTURE FROM THIS INFORMATION. NO REPRODUCTIONS OR PUBLICATION OF THIS INFORMATION, IN WHOLE OR IN PART, SHALL BE MADE WITHOUT WRITTEN AUTHORIZATION FROM EMERSON NETWORK POWER.

DWG NO. TAI-221 SH 1

REVISIONS			
REV	DESCRIPTION	DATE	APPROVED
D	ECO 54015	3/22/12	T.KOHLER



CABLE GROUP DASH NO	CRIMP SLEEVE		CENTER CONTACT
	HEX SIZE	DIE NO/ CLOSURE	
-001	.178	-19/A	USE TROMPETER PIN CONTACT CRIMP TOOL NO. 010-0055
-002	.197	-5/8	
-003	.178	-1/B	
-004	.178	-19/A	
-005	.197	-5/B	
-006	.197	-5/B	
-007	.178	-19/A	
-008	.178	-19/A	
-009	.178	-19/A	
-010	.178	-19/A	
-011	.213	-1/A	
-012	.213	-1/A	
-013	.255	-19/B	
-013A	.255	-19/B	
-014	.255	-19/B	
-015	.290	-3/B	
-016	.324	-2/A	
-017	.344	-3/A	
-018	.255	-19/B	
-019	.255	-19/B	
-020	.290	-3/B	
-021	.213	-1/A	
-023	.255	-2/B	
-024	.290	-3/B	
-025	.255	-19/B	
-026	.178	-19/A	
-027	.178	-19/A	

ASSEMBLY INSTRUCTION
UPLR220 "FULL CRIMP"
TRUE 75Ω CONNECTORS TO
FLEXIBLE COAXIAL CABLE



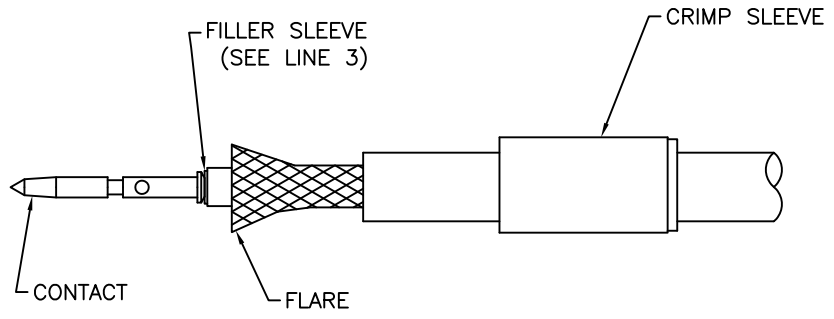
299 JOHNSON AVENUE
WASECA, MN 56093-0832
T:507 833 8822 F:507 833 6287
WWW.CINCHCONNECTIVITY.COM
MGF. CODE NO. 14949

TAI-221

REV D

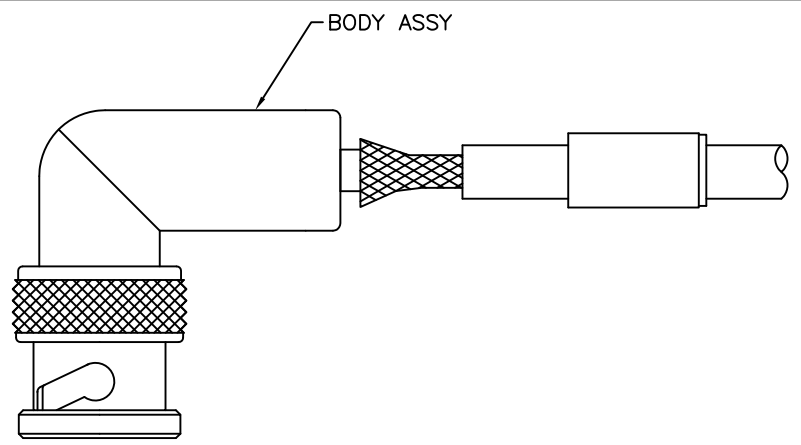
MADE IN USA

STEP 1



1. PLACE CRIMP SLEEVE ONTO CABLE WITH STEP LOCATED AS SHOWN
2. STRIP CABLE AS SHOWN AND FLARE BRAID
3. ON CONNECTOR NO -001 THRU -007 AND -027 ONLY SLIDE FILLER SLEEVE FULLY UNDER BRAID
4. CRIMP CONTACT IN POSITION SHOWN (SEE CHART)

STEP 2



1. PUSH CABLE ASSY INTO BODY ASSY UNTIL CONTACT SNAPS INTO PLACE
2. SLIDE CRIMP SLEEVE FORWARD OVER BRAID UP AGAINST BODY ASSY AND CRIMP IN PLACE (SEE CHART)

UNLESS OTHERWISE SPECIFIED DIMENSIONS ARE IN INCHES TOLERANCES ARE:

FRACTIONS ±	DECIMALS .XX ±	ANGLES ±
	.XXX ±	
	.XXXX ±	



SIGNATURES	DATE
DRAWN BY M. SOURIPHONG	3/22/12
CHECKED BY C.ALDRICH	3/22/12
APPROVED BY T.KOHLER	3/22/12
APPROVED BY	

UPLR220 "FULL CRIMP" TRUE 75Ω CONNECTORS, TO FLEXIBLE COAXIAL CABLE			
SIZE B	CAGE CODE 14949	DWG NO. TAI-221	REV D
SCALE N/A	DATE	SHEET 1 OF 1	