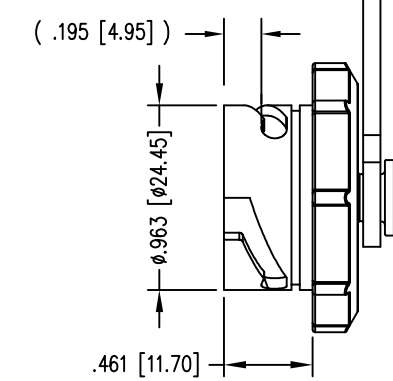
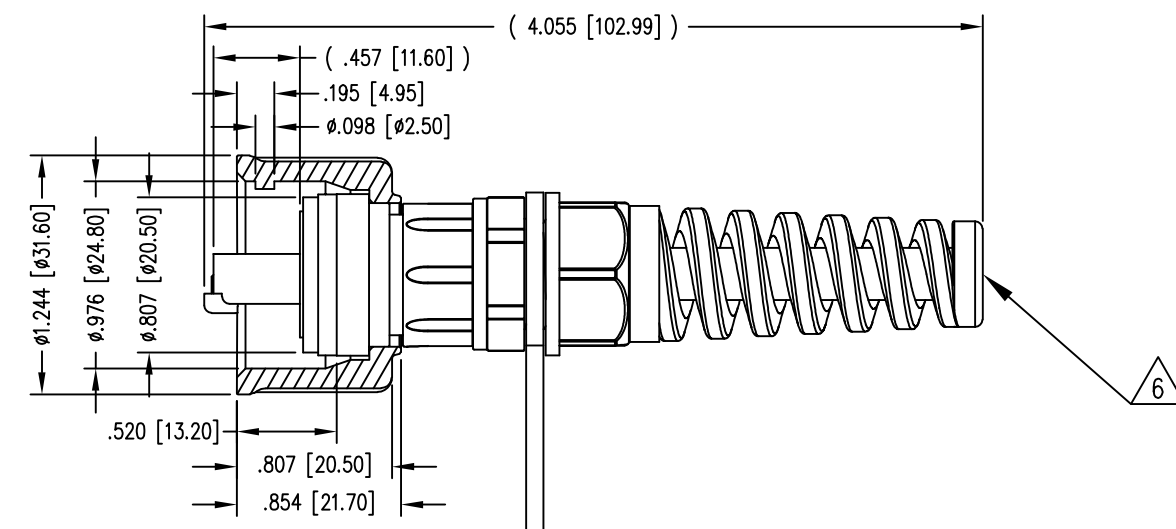
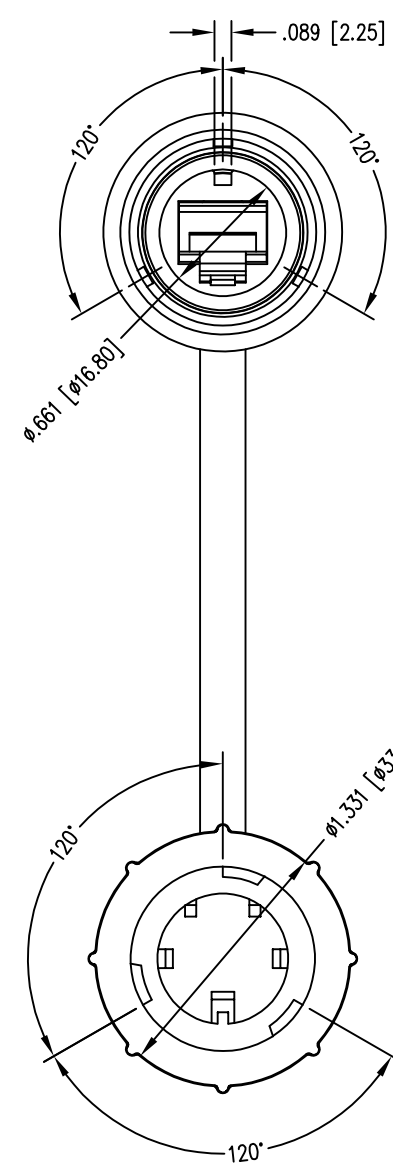


DATE	REV	ECN	APP'D. BY
5-9-17	A1	10999	TRM
5-12-17	A2	11003	TRM



NOTES:

- MATERIALS:
 PLUG BODY: POLYCARBONATE UL94 V-0, COLOR: CLEAR
 PLUG HOUSING: HIGH IMPACT PLASTIC UL94 V-0, COLOR: BLACK
 LOAD BAR: POLYCARBONATE UL94 V-0, COLOR: BLACK
 CONTACTS: COPPER ALLOY
 CONTACT PLATING: SELECTIVE GOLD OR EQUIVALENT IN THE CONTACT AREA
 SEE CHART FOR PART NUMBER
 SHIELD: COPPER ALLOY, NICKEL PLATE
- CONTACTS TERMINATE SOLID OR STRANDED CONDUCTORS BETWEEN .037 [0.94] TO .042 [1.07] OUTSIDE DIAMETER OF INSULATION.
- PLUG DIMENSIONS AND TOLERANCES COMPLY WITH TIA-1096 STANDARD.
- DESIGNED FOR CATEGORY 5/5e APPLICATIONS.
- INTERNATIONAL PROTECTION CODE MEETS IP67.
- FOR 0.177 [4.5] MIN. - 0.307 [7.8] MAX. CABLE

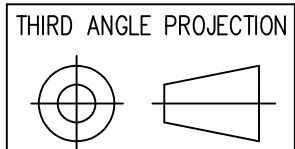
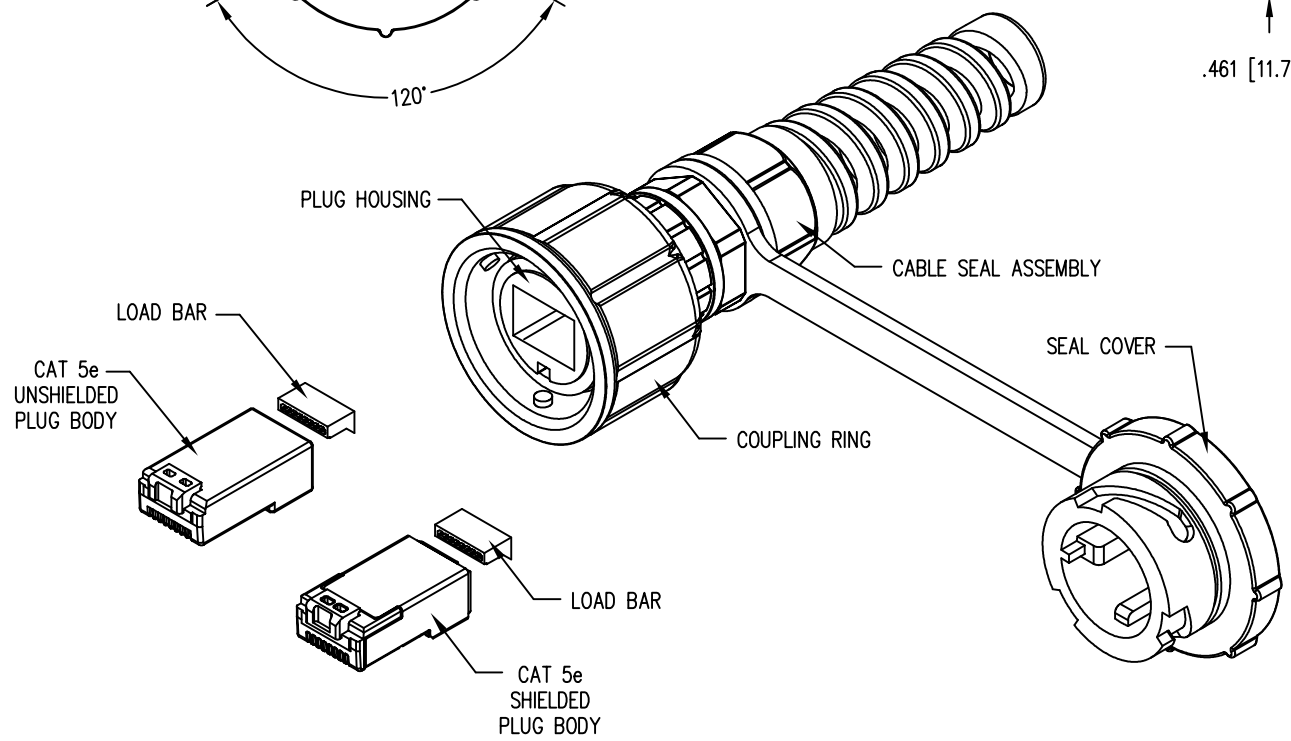
SHIELDED	50 MICRO-INCHES [1.27um]	SS-39400-003
UNSHIELDED	50 MICRO-INCHES [1.27um]	SS-39400-002
PLUG TYPE	CONTACT PLATING IN MATING AREA	PART NUMBER

B

B

A

A



1118 Susquehanna Trail South
 Glen Rock, PA 17327-9199
 (717) 235-7512
<http://www.stewartconnector.com>

DO NOT SCALE DRAWING
 DRAWING IS SUBJECT TO CHANGE WITHOUT NOTICE
 DIMENSIONS: INCHES [METRIC]
 UNLESS OTHERWISE SPECIFIED TOLERANCES ARE ±.005 [0.13] ANGLES ARE ± 1°
 SHEET NO. 1 OF 1

TITLE: INDUSTRIAL PLUG IP67 (UTP/FTP) CAT 5e WITH PLASTIC HOUSING AND SHIELDED PLASTIC HOUSING
 DRN BY: TRM DATE: 10-17-16
 APPD BY: DHG DATE: 10-27-16
 DWG NO. CT390167 REV. A2