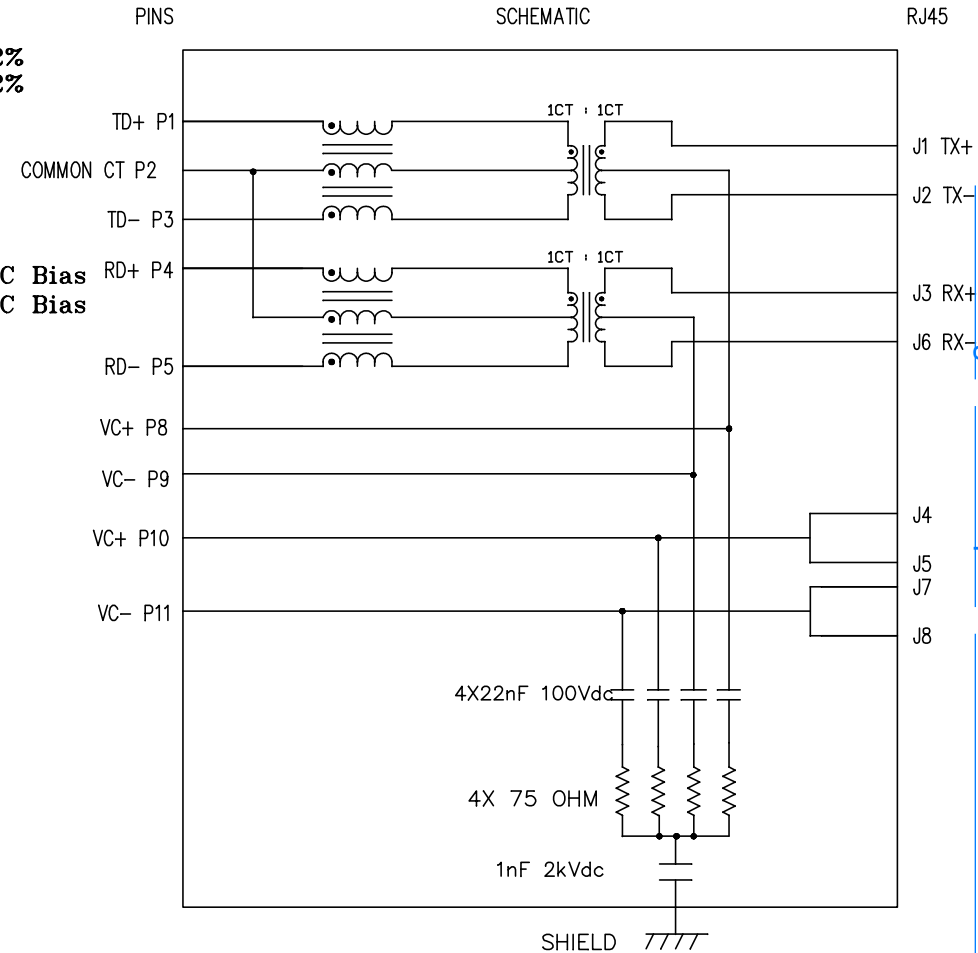






ELECTRICAL CHARACTERISTICS @ 25° C

1.0 TURNS RATIO:	(P1-P3) : (J1-J2)	: 1CT : 1CT ± 2%
	(P4-P5) : (J3-J6)	: 1CT : 1CT ± 2%
2.0 DC RESISTANCE:	(P1-P3); (P4-P5)	: 1.2 OHMS
	(J1-J2); (J3-J6)	: 0.8 OHMS
3.0 INDUCTANCE:	(P1-P3)	: 350uH MIN. @ 0.1V, 100KHz, 12mA DC Bias
	(P4-P5)	: 350uH MIN. @ 0.1V, 100KHz, 12mA DC Bias
4.0 RETURN LOSS:	(P1-P3)=100 OHMS REF. AND (P4-P5)=100 OHM REF.	
	1MHz TO 30MHz	: 16dB MIN.
	60MHz TO 80MHz	: 10dB MIN.
5.0 INSERTION LOSS:	RS & RL =100 ohms	
	1MHz TO 100MHz	: 1.5 dB MAX
6.0 CROSS TALK:	1MHz - 100 MHz	: 30 dB MIN.
7.0 DIELECTRIC WITHSTAND:	(P1-P3) TO (J1-J2)	: 2000 Vrms
	(P4-P5) TO (J3-J6)	: 2000 Vrms
8.0 BALANCED DC LINE CURRENT:	USED PAIRS	: 700mA MAX
	UNUSED PAIRS	: 700mA MAX
9.0 OPERATING TEMPERATURE:		: -40 to 85° C



RIGINATED BY eng Xiaochun	DATE 2012-04-18	TITLE <b>MagJack®</b> 10/100BT, PoEP TAB UP, SHIELDED PATENTED	PART NO. / DRAWING NO. SI-52007-F	STANDARD DIM. TOL. IN INCH	[ ] METRIC DIM. AS REFERENCE		bel COMPONENTS FOR A CONNECTED PLANET
	RAWN BY uan Jun		DATE 2012-04-18	FILE NAME SI-52007-F.DWG	.X .XX .XXX	UNIT : INCH [mm] SCALE : N/A 	
				±0.005			

THE INFORMATION CONTAINED HEREIN IS CONSIDERED 'PROPRIETARY' TO BEL FUSE INC. AND SHALL NOT BE COPIED, REPRODUCED OR DISCLOSED WITHOUT THE WRITTEN APPROVAL OF BEL FUSE INC.

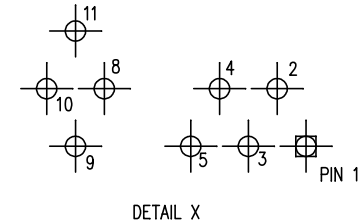
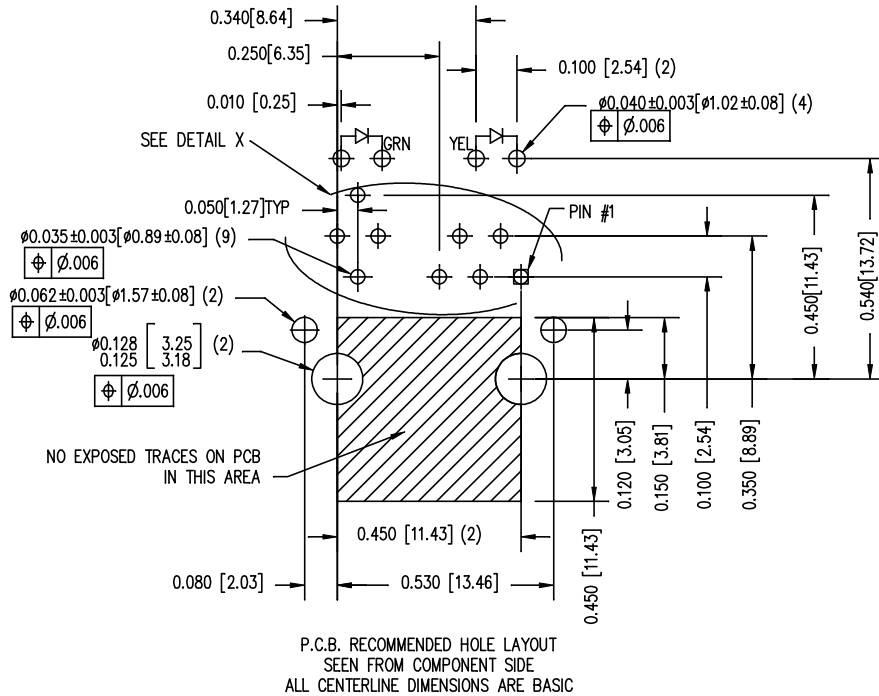
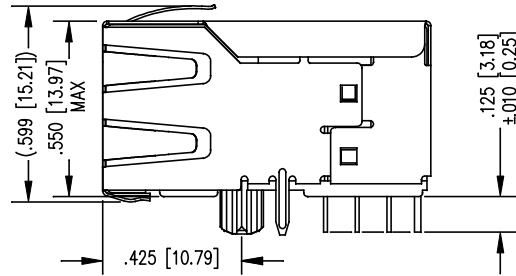
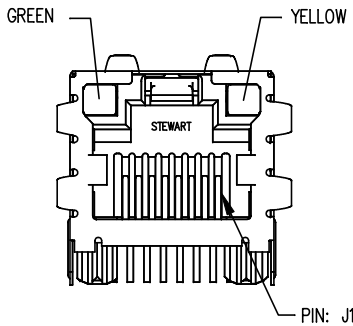
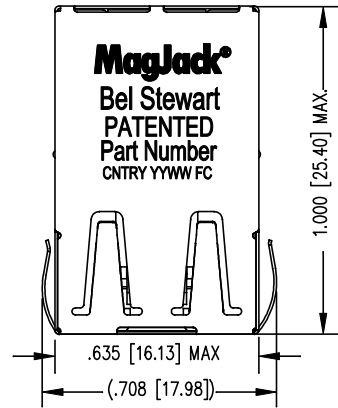
RoHS



Additional Resources: [Product Page](#) [PCB Footprint](#) [Technical Documentation](#)

STANDARD LED	WAVELENGTH	Forward V (MAX)	* (TYP)
YELLOW	590 nm	2.5 V	2.1 V
GREEN	565 nm	2.5 V	2.2 V

\* WITH A FORWARD CURRENT OF 20 mA (TYP)



NOTES:

- CONNECTOR MATERIALS:  
HOUSING: THERMOPLASTIC UL94 V-0  
CONTACT/SHIELD: COPPER ALLOY  
SHIELD PLATING: NICKEL OR TIN  
CONTACT PLATING: 50 MICRO-INCH SELECTIVE HARD GOLD PLATING OR EQUIVALENT IN CONTACT AREA
- PIN NOT ELECTRICALLY CONNECTED MAYBE OMITTED. SEE ELECTRICAL DRAWING FOR OMITTED PINS.
- TOLERANCES COMPLY WITH F.C.C. DIMENSION REQUIREMENTS.
- ALL TOLERANCES NOT OTHERWISE SPECIFIED TO BE ±0.005 [0.13]
- REFLOW AND WAVE SOLDER COMPATIBLE -260°C FOR 10 SECONDS MAX.

DESIGNED BY	DATE	TITLE	PART NO. / DRAWING NO.	STANDARD DIM. TOL. IN INCH	[ ] METRIC DIM. AS REFERENCE	
					UNIT : INCH [mm]	REV. : 03
eng Xiaochun	2012-04-18	<b>MagJack®</b> 10/100BT, PoEP TAB UP, SHIELDED PATENTED	SI-52007-F	.X		SCALE : N/A
RAWN BY	DATE		FILE NAME	.XX		SIZE : A4
uan Jun	2012-04-18		SI-52007-F.DWG	.XXX		±0.005

199185 REV C0

This document is electronically generated. This is a controlled copy if used internally

Please read our datasheet & drawing disclaimer [here](#).

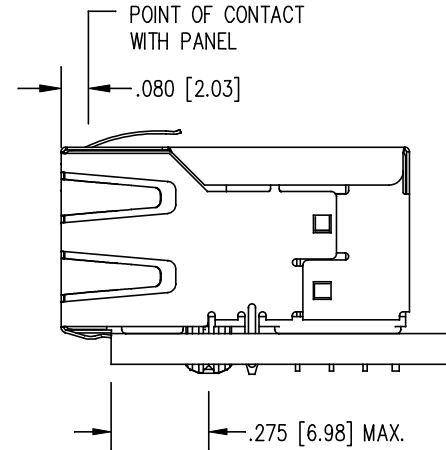
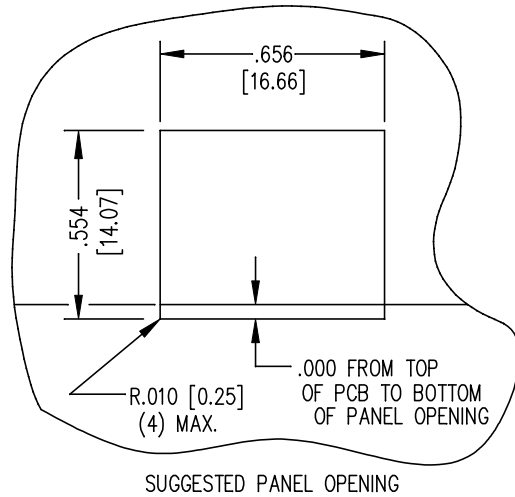


THE INFORMATION CONTAINED HEREIN IS CONSIDERED "PROPRIETARY" TO BEL FUSE INC. AND SHALL NOT BE COPIED, REPRODUCED OR DISCLOSED WITHOUT THE WRITTEN APPROVAL OF BEL FUSE INC.

RoHS



Additional Resources: [Product Page](#) [PCB Footprint](#) [Technical Documentation](#)



1. THE SUGGESTED PANEL OPENING IS INTENDED TO GIVE THE USER THE ABILITY TO HAVE REASONABLE JACK / PANEL CLEARANCES YET MAINTAIN RELIABLE GROUNDING CAPABILITY.
2. ALL TOLERANCES NOT OTHERWISE SPECIFIED TO BE  $\pm 0.005$  [0.13]

DESIGNED BY <b>eng Xiaochun</b>	DATE <b>2012-04-18</b>	TITLE <b>MagJack® 10/100BT, PoEP TAB UP, SHIELDED PATENTED</b>	PART NO. / DRAWING NO. <b>SI-52007-F</b>	STANDARD DIM. TOL. IN INCH	[ ] METRIC DIM. AS REFERENCE		 COMPONENTS FOR A CONNECTED PLANET	
	RAWN BY		DATE	FILE NAME <b>SI-52007-F.DWG</b>	.X	UNIT : INCH [mm]		REV. : 03
DRAWN BY <b>uan Jun</b>	DATE <b>2012-04-18</b>		.XX	SCALE : N/A				SIZE : A4
			.XXX	$\pm 0.005$				PAGE : 4

199185 REV C0

This document is electronically generated. This is a controlled copy if used internally

Please read our datasheet & drawing disclaimer [here](#).